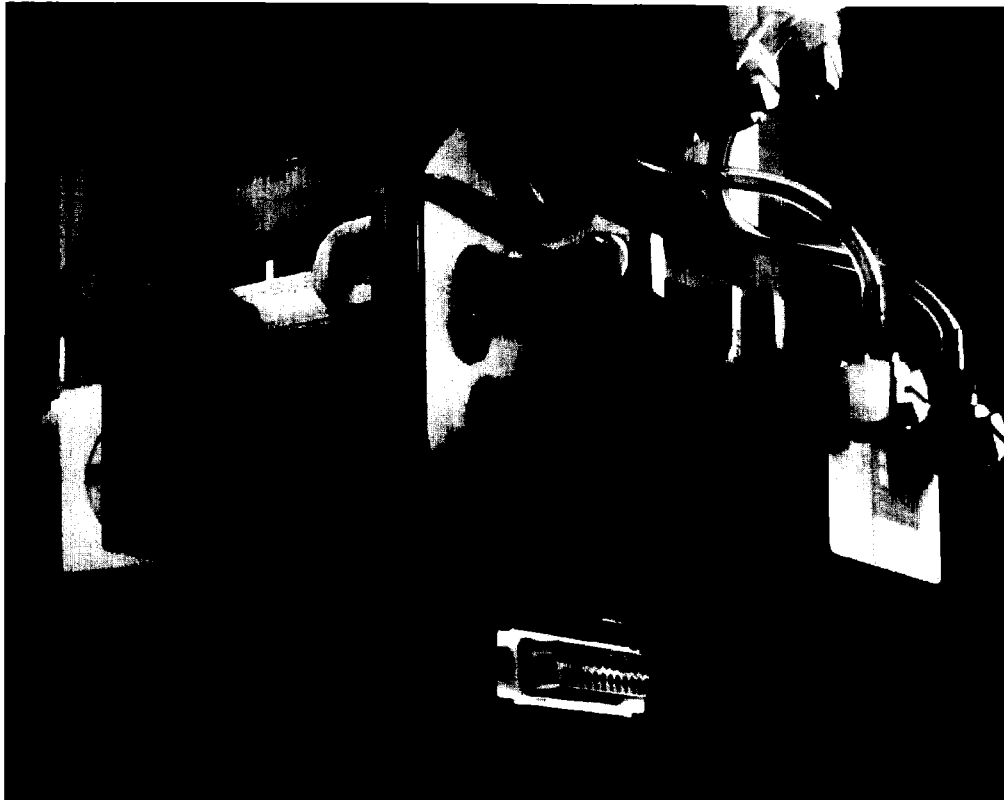


Subminiature D HD-20 Right-Angle, Metal Shell and All-Plastic Connectors (AMPLIMITE III)

*Specifications subject to change.
For latest design specifications...
1-800-522-6752*

2

Pin and Socket Connectors



Intermateable with AMPLIMITE and other Subminiature D connectors, AMPLIMITE III connectors are designed and packaged for use with robotic component insertion machines. AMPLIMITE III connectors are constructed of UL 94 V-0 rated materials for standard wave soldering and are available in 9, 15, 25 and 37 position. Mating hardware options include threaded inserts and screwlocks. A choice of with or without boardlocks is also offered. Boardlocks provide firm board retention, eliminating the need for under-board tooling.

AMPLIMITE III, HD-20 connector contacts are available in three types of gold plating to meet the needs of different applications: .000030 [0.00076], .000010 [0.00254] and gold flash on the mating end.

AMPLIMITE III connectors offer the lead registration, dimensional uniformity and locating features necessary for accurate, robotic pick-and-place handling. Connectors can be gripped front-to-back, side-to-side, or from the top with a vacuum chuck.

Design, Engineering, Technical Support and proven product quality from AMP have set the standards in the connector industry. Now the AMPLIMITE III Connector will be the standards setter in robotically applied connector technology.

Dimensioning:

Dimensions are in inches and millimeters. Values in brackets are metric equivalents.

Metric symbol used is:
C (Celsius)

Product Facts

- 9, 15, 25 and 37 positions
- Designed and packaged for use with robotic component insertion machines
- Connector housing are UL 94 V-0 rated
- Suitable for standard wave soldering (For high temperature applications contact AMP Incorporated)
- Mating hardware options — 4-40 threaded inserts or screwlocks
- With or without boardlocks
- Contacts available in three types of gold plating on the mating end
- Accurate Lead registration
- Robotic guide notch on the connector housing
- Two standard footprints in both metal-shell and all-plastic connectors (318 and 590 mount)
- Applied costs savings thru robotic application
- Recognized under the Component Program of Underwriters Laboratories, Inc., No. E28476
- CSA Certified, No. LR 51928

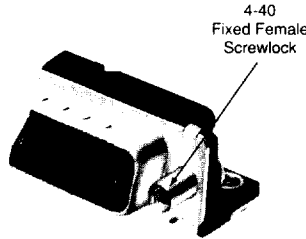
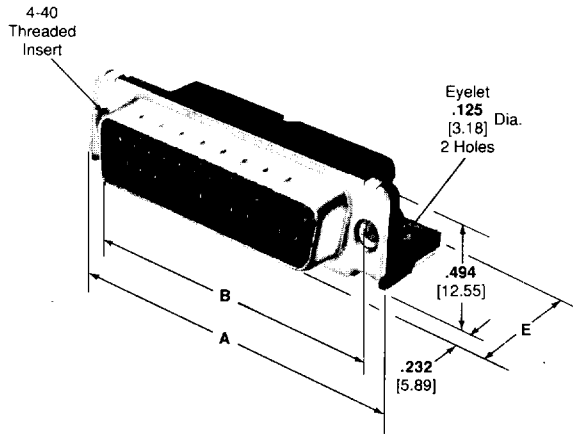


**Specifications subject to change.
For latest design specifications...
1-800-522-6752**

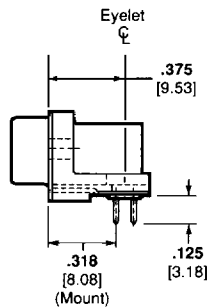
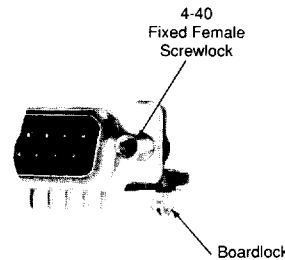
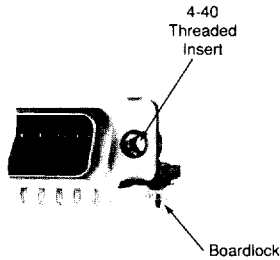
HD-20 Front Metal-Shell Right-Angle Posted Connectors 318 Mount

Dimensioning:
Dimensions are in inches and millimeters.
Values in brackets are metric equivalents.
Charts contain dimensions in inches over
millimeters.

Plugs



Without Boardlocks



Material and Finish:

- Front Shell** — Steel, tin plated
- Housing** — 94V-0 rated thermoplastic, black
- Eyelets** — Brass, tin plated
- Threaded Inserts** — Zinc
- Female Screwlock** — Zinc
- Boardlock** — Copper alloy, tin-lead plated
- Pin Contacts (Posted)** — Brass, duplex plated as follows:
 - A** — .000030 [0.00076] gold on mating end, tin-lead on termination end, with entire contact nickel underplated
 - B** — Gold flash on mating end, tin-lead on termination end, with entire contact nickel underplated
 - C** — .000010 [0.000254] gold on mating end, tin-lead on termination end, with entire contact nickel underplated

2 Pin and Socket Connectors

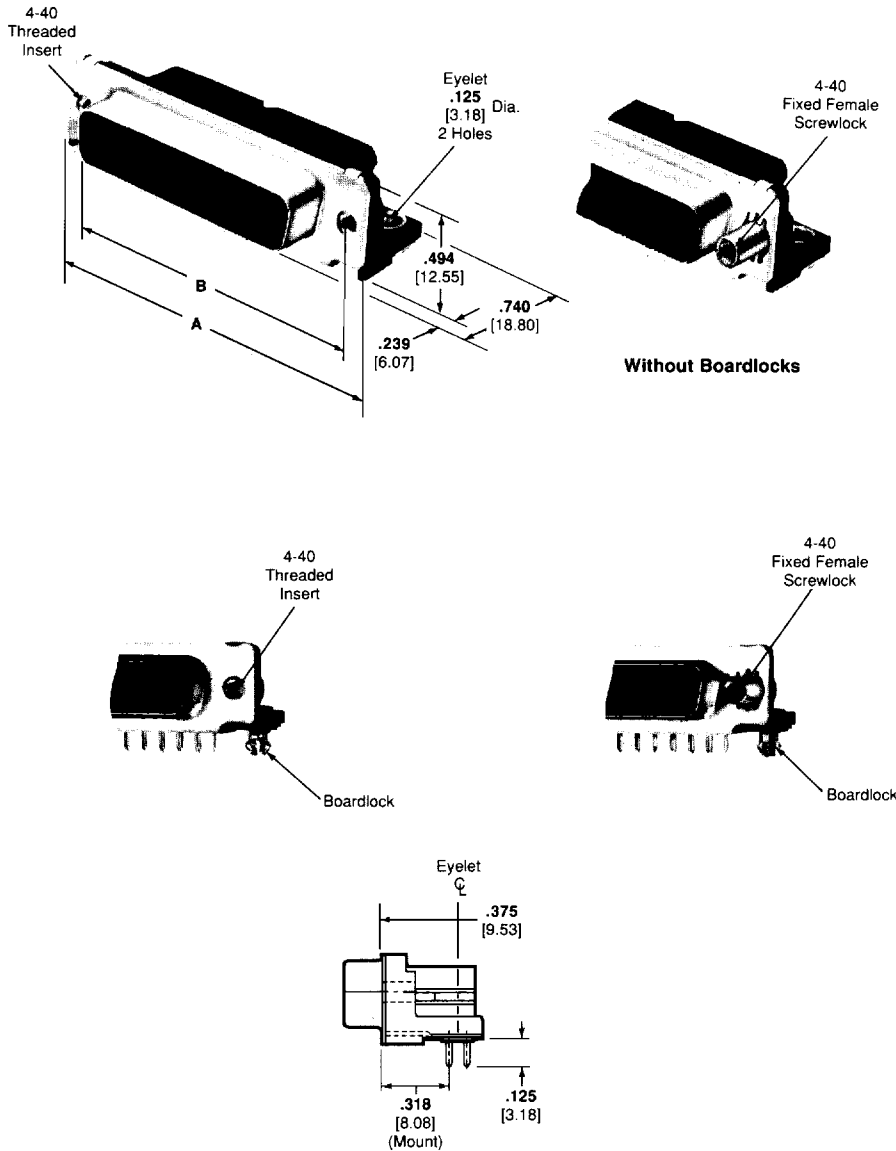
Shell Size	No. of Contact Positions	Dimensions			Contact Finish (Plating Code)	Without Boardlocks		With Boardlocks	
		A	B	E		With Threaded Inserts	With Fixed Female Screwlocks	With Threaded Inserts	With Fixed Female Screwlocks
1	9	1.222 31.04	.984 24.99	.732 18.59	A	748839-1	748919-1	748879-1	748959-1
					B	748839-2	748919-2	748879-2	748959-2
					C	748839-3	748919-3	748879-3	748959-3
2	15	1.550 39.37	1.312 24.99	.732 18.59	A	748840-1	748920-1	748880-1	748960-1
					B	748840-2	748920-2	748880-2	748960-2
					C	748840-3	748920-3	748880-3	748960-3
3	25	2.090 53.09	1.852 47.04	.738 18.74	A	748841-1	748921-1	748881-1	748961-1
					B	748841-2	748921-2	748881-2	748961-2
					C	748841-3	748921-3	748881-3	748961-3
4	37	2.738 69.55	2.500 63.50	.738 18.74	A	748842-1	748922-1	748882-1	748962-1
					B	748842-2	748922-2	748882-2	748962-2
					C	748842-3	748922-3	748882-3	748962-3

Specifications subject to change.
For latest design specifications...
1-800-522-6752

HD-20 Front Metal-Shell Right-Angle Posted Connectors 318 Mount

Dimensioning:
Dimensions are in inches and millimeters.
Values in brackets are metric equivalents.
Charts contain dimensions in inches over millimeters.

Receptacles



Material and Finish:

Front Shell — Steel, tin plated
Housing — 94V-0 rated thermoplastic, black
Eyelets — Brass, tin plated
Threaded Inserts — Zinc
Female Screwlock — Zinc
Boardlock — Copper alloy, tin-lead plated
Socket Contacts (Posted) — Phosphor Bronze, duplex plated as follows:
A — .000030 [0.00076] gold on mating end, tin-lead on termination end, with entire contact nickel underplated
B — Gold flash on mating end, tin-lead on termination end, with entire contact nickel underplated
C — .000010 [0.000254] gold on mating end, tin-lead on termination end, with entire contact nickel underplated

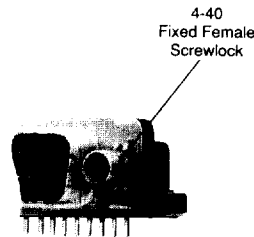
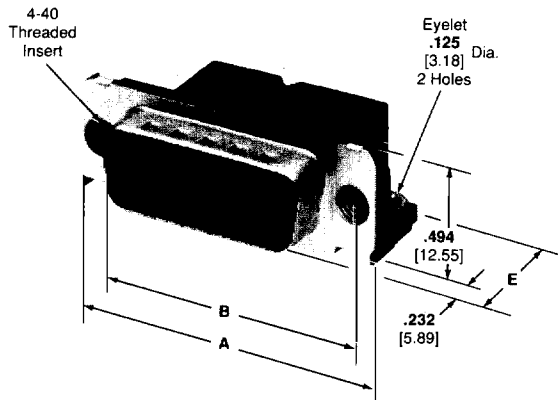
Shell Size	No. of Contact Positions	Dimensions		Contact Finish (Plating Code)	Without Boardlocks		With Boardlocks	
		A	B		With Threaded Inserts	With Fixed Female Screwlocks	With Threaded Inserts	With Fixed Female Screwlocks
1	9	1.222 31.04	.984 24.99	A	748835-1	748915-1	748875-1	748955-1
				B	748835-2	748915-2	748875-2	748955-2
				C	748835-3	748915-3	748875-3	748955-3
2	15	1.550 39.37	1.312 33.32	A	748836-1	748916-1	748876-1	748956-1
				B	748836-2	748916-2	748876-2	748956-2
				C	748836-3	748916-3	748876-3	748956-3
3	25	2.090 53.09	1.852 47.04	A	748837-1	748917-1	748877-1	748957-1
				B	748837-2	748917-2	748877-2	748957-2
				C	748837-3	748917-3	748877-3	748957-3
4	37	2.738 69.55	2.500 63.50	A	748838-1	748918-1	748878-1	748958-1
				B	748838-2	748918-2	748878-2	748958-2
				C	748838-3	748918-3	748878-3	748958-3

HD-20 Front Metal-Shell (Short Leg) Right-Angle Posted Connectors 590 Mount

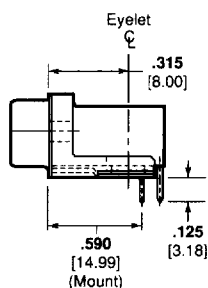
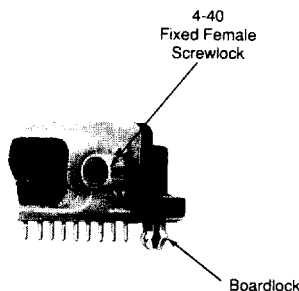
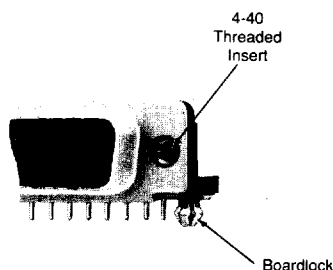
**Specifications subject to change.
For latest design specifications...
1-800-522-6752**

Dimensioning:
Dimensions are in inches and millimeters.
Values in brackets are metric equivalents.
Charts contain dimensions in inches over millimeters.

Plugs



Without Boardlocks



Material and Finish:

- Front Shell**—Steel, tin plated
- Housing**—94V-0 rated thermoplastic, black
- Eyelets**—Brass, tin plated
- Threaded Inserts**—Zinc
- Female Screwlock**—Zinc
- Boardlock**—Copper alloy, tin-lead plated
- Pin Contacts (Posted)**—Brass, duplex plated as follows:
 - A**— .000030 [0.00076] gold on mating end, tin-lead on termination end, with entire contact nickel underplated
 - B**—Gold flash on mating end, tin-lead on termination end, with entire contact nickel underplated
 - C**— .000010 [0.000254] gold on mating end, tin-lead on termination end, with entire contact nickel underplated

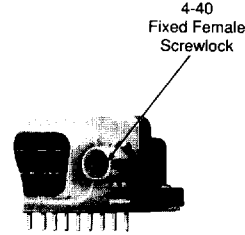
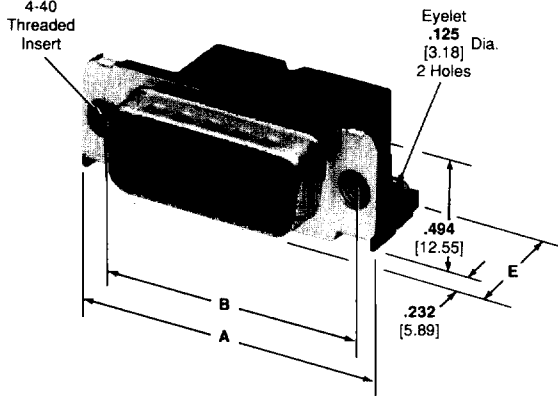
Shell Size	No. of Contact Positions	Dimensions			Contact Finish (Plating Code)	Without Boardlocks		With Boardlocks	
		A	B	E		With Threaded Inserts	With Fixed Female Screwlocks	With Threaded Inserts	With Fixed Female Screwlocks
1	9	1.222 31.04	.984 24.99	.977 24.82	A	748847-1	748927-1	748887-1	748967-1
					B	748847-2	748927-2	748887-2	748967-2
					C	748847-3	748927-3	748887-3	748967-3
2	15	1.550 39.37	1.312 33.32	.977 24.82	A	748848-1	748928-1	748888-1	748968-1
					B	748848-2	748928-2	748888-2	748968-2
					C	748848-3	748928-3	748888-3	748968-3
3	25	2.090 53.09	1.852 47.04	.983 24.97	A	748849-1	748929-1	748889-1	748969-1
					B	748849-2	748929-2	748889-2	748969-2
					C	748849-3	748929-3	748889-3	748969-3
4	37	2.738 69.55	2.500 63.50	.983 24.97	A	748850-1	748930-1	748890-1	748970-1
					B	748850-2	748930-2	748890-2	748970-2
					C	748850-3	748930-3	748890-3	748970-3

HD-20 Front Metal-Shell (Long Leg) Right-Angle Posted Connectors 590 Mount

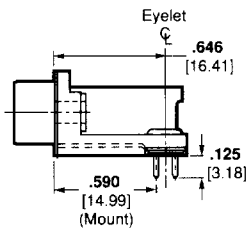
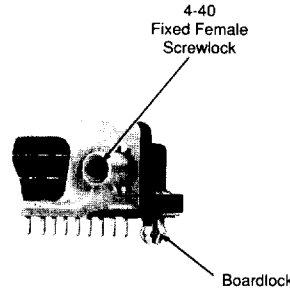
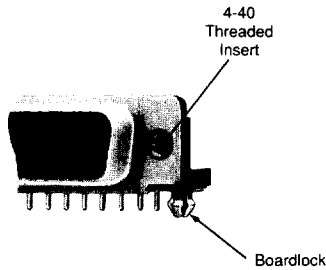
Specifications subject to change.
For latest design specifications...
1-800-522-6752

Dimensioning:
Dimensions are in inches and millimeters.
Values in brackets are metric equivalents.
Charts contain dimensions in inches over millimeters.

Plugs



Without Boardlocks



Material and Finish:

- Front Shell** — Steel, tin plated
- Housing** — 94V-0 rated thermoplastic, black
- Eyelets** — Brass, tin plated
- Threaded Inserts** — Zinc
- Female Screwlock** — Zinc
- Boardlock** — Copper alloy, tin-lead plated
- Pin Contacts (Posted)** — Brass, duplex plated as follows:
 - A** — .000030 [0.00076] gold on mating end, tin-lead on termination end, with entire contact nickel underplated
 - B** — Gold flash on mating end, tin-lead on termination end, with entire contact nickel underplated
 - C** — .000010 [0.000254] gold on mating end, tin-lead on termination end, with entire contact nickel underplated

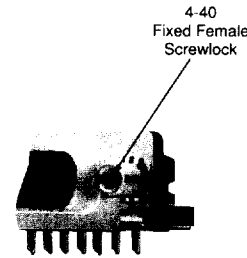
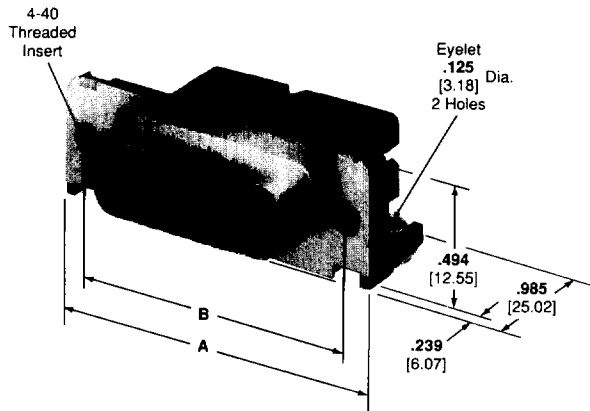
Shell Size	No. of Contact Positions	Dimensions			Contact Finish (Plating Code)	Without Boardlocks		With Boardlocks	
		A	B	E		With Threaded Inserts	With Fixed Female Screwlocks	With Threaded Inserts	With Fixed Female Screwlocks
1	9	1.222 31.04	.984 24.99	1.003 25.48	A	748855-1	748935-1	748895-1	748975-1
					B	748855-2	748935-2	748895-2	748975-2
					C	748855-3	748935-3	748895-3	748975-3
2	15	1.550 39.37	1.312 33.32	1.003 25.48	A	748856-1	748936-1	748896-1	748976-1
					B	748856-2	748936-2	748896-2	748976-2
					C	748856-3	748936-3	748896-3	748976-3
3	25	2.090 53.09	1.852 47.04	1.009 25.63	A	748857-1	748937-1	748897-1	748977-1
					B	748857-2	748937-2	748897-2	748977-2
					C	748857-3	748937-3	748897-3	748977-3
4	37	2.738 69.55	2.500 63.50	1.009 25.63	A	748858-1	748938-1	748898-1	748978-1
					B	748858-2	748938-2	748898-2	748978-2
					C	748858-3	748938-3	748898-3	748978-3

HD-20 Front Metal-Shell (Short Leg) Right-Angle Posted Connectors 590 Mount

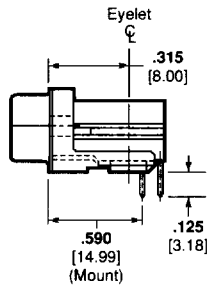
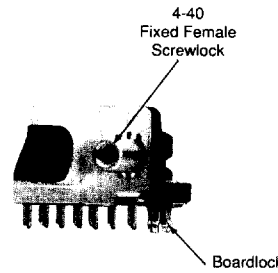
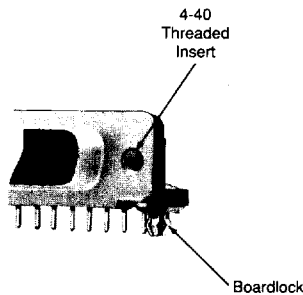
Specifications subject to change.
For latest design specifications...
1-800-522-6752

Dimensioning:
Dimensions are in inches and millimeters.
Values in brackets are metric equivalents.
Charts contain dimensions in inches over millimeters.

Receptacles



Without Boardlocks



Material and Finish:

Front Shell — Steel, tin plated

Housing — 94V-0 rated thermoplastic, black

Eyelets — Brass, tin plated

Threaded Inserts — Zinc

Female Screwlock — Zinc

Boardlock — Copper alloy, tin-lead plated

Socket Contacts (Posted) — Phosphor Bronze, duplex plated as follows:

A — .000030 [0.00076] gold on mating end, tin-lead on termination end, with entire contact nickel underplated

B — Gold flash on mating end, tin-lead on termination end, with entire contact nickel underplated

C — .000010 [0.000254] gold on mating end, tin-lead on termination end, with entire contact nickel underplated

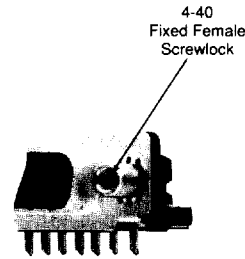
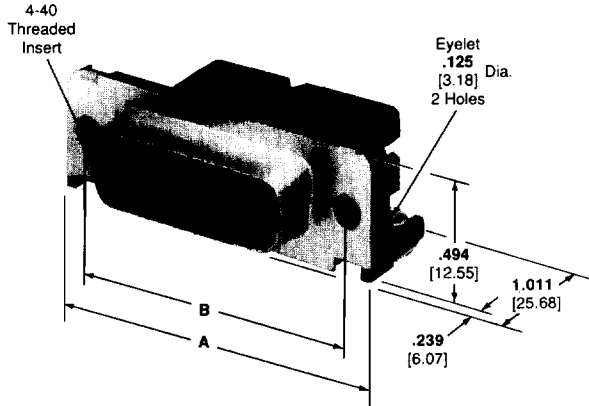
Shell Size	No. of Contact Positions	Dimensions		Contact Finish (Plating Code)	Without Boardlocks		With Boardlocks	
		A	B		With Threaded Inserts	With Fixed Female Screwlocks	With Threaded Inserts	With Fixed Female Screwlocks
1	9	1.222 31.04	.984 24.99	A	748843-1	748923-1	748883-1	748963-1
				B	748843-2	748923-2	748883-2	748963-2
				C	748843-3	748923-3	748883-3	748963-3
2	15	1.550 39.37	1.312 33.32	A	748844-1	748924-1	748884-1	748964-1
				B	748844-2	748924-2	748884-2	748964-2
				C	748844-3	748924-3	748884-3	748964-3
3	25	2.090 53.09	1.852 47.04	A	748845-1	748925-1	748885-1	748965-1
				B	748845-2	748925-2	748885-2	748965-2
				C	748845-3	748925-3	748885-3	748965-3
4	37	2.738 69.55	2.500 63.50	A	748846-1	748926-1	748886-1	748966-1
				B	748846-2	748926-2	748886-2	748966-2
				C	748846-3	748926-3	748886-3	748966-3

HD-20 Front Metal-Shell (Long Leg) Right-Angle Posted Connectors 590 Mount

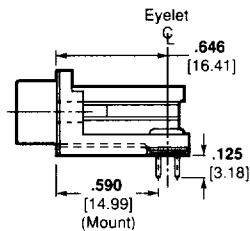
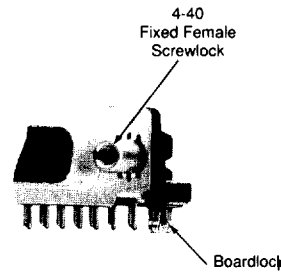
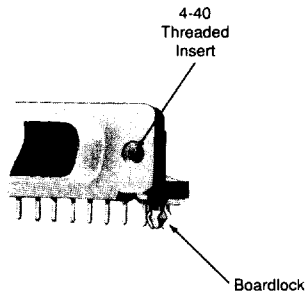
Specifications subject to change.
For latest design specifications...
1-800-522-6752

Dimensioning:
Dimensions are in inches and millimeters.
Values in brackets are metric equivalents.
Charts contain dimensions in inches over millimeters.

Receptacles



Without Boardlocks



Material and Finish:

Front Shell — Steel, tin plated
Housing — 94V-0 rated thermoplastic, black
Eyelets — Brass, tin plated
Threaded Inserts — Zinc
Female Screwlock — Zinc
Boardlock — Copper alloy, tin-lead plated
Socket Contacts (Posted) — Phosphor Bronze, duplex plated as follows:
A — .000030 [0.00076] gold on mating end, tin-lead on termination end, with entire contact nickel underplated
B — Gold flash on mating end, tin-lead on termination end, with entire contact nickel underplated
C — .000010 [0.000254] gold on mating end, tin-lead on termination end, with entire contact nickel underplated

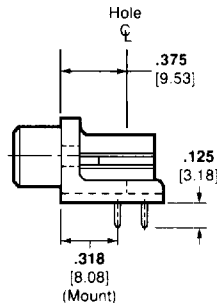
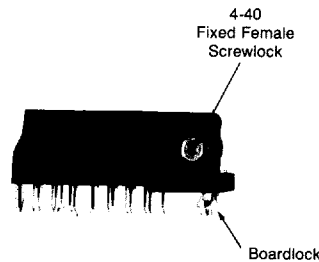
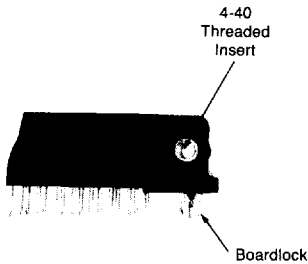
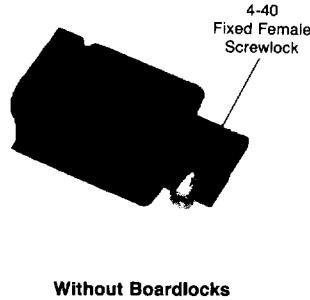
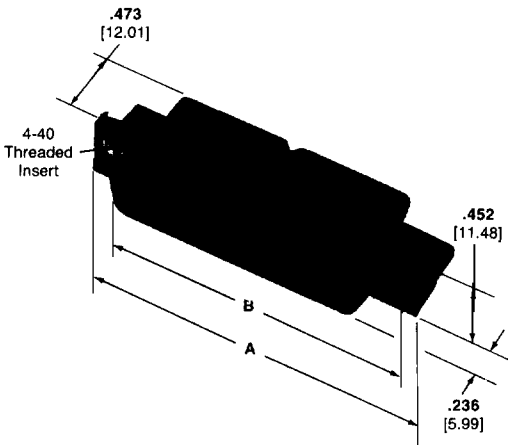
Shell Size	No. of Contact Positions	Dimensions		Contact Finish (Plating Code)	Without Boardlocks		With Boardlocks	
		A	B		With Threaded Inserts	With Fixed Female Screwlocks	With Threaded Inserts	With Fixed Female Screwlocks
1	9	1.222 31.04	.984 24.99	A	748851-1	748931-1	748891-1	748971-1
				B	748851-2	748931-2	748891-2	748971-2
				C	748851-3	748931-3	748891-3	748971-3
2	15	1.550 39.37	1.312 33.32	A	748852-1	748932-1	748892-1	748972-1
				B	748852-2	748932-2	748892-2	748972-2
				C	748852-3	748932-3	748892-3	748972-3
3	25	2.090 53.09	1.852 47.04	A	748853-1	748933-1	748893-1	748973-1
				B	748853-2	748933-2	748893-2	748973-2
				C	748853-3	748933-3	748893-3	748973-3
4	37	2.738 69.55	2.500 63.50	A	748854-1	748934-1	748894-1	748974-1
				B	748854-2	748934-2	748894-2	748974-2
				C	748854-3	748934-3	748894-3	748974-3

*Specifications subject to change.
For latest design specifications...
1-800-522-6752*

**HD-20 All-Plastic
Right-Angle Posted Connectors
318 Mount**

Dimensioning:
Dimensions are in inches and millimeters.
Values in brackets are metric equivalents.
Charts contain dimensions in inches over millimeters.

Plugs



Material and Finish:

- Housing** — 94V-0 rated thermoplastic, black
- Eyelets** — Brass, tin plated
- Threaded Inserts** — Zinc
- Female Screwlock** — Zinc
- Boardlock** — Copper alloy, tin-lead plated
- Pin Contacts (Posted)** — Brass, duplex plated as follows:
 - A** — .000030 [0.00076] gold on mating end, tin-lead on termination end, with entire contact nickel underplated
 - B** — Gold flash on mating end tin-lead on termination end, with entire contact nickel underplated
 - C** — .000010 [0.000254] gold on mating end, tin-lead on termination end, with entire contact nickel underplated

2

Pin and Socket Connectors

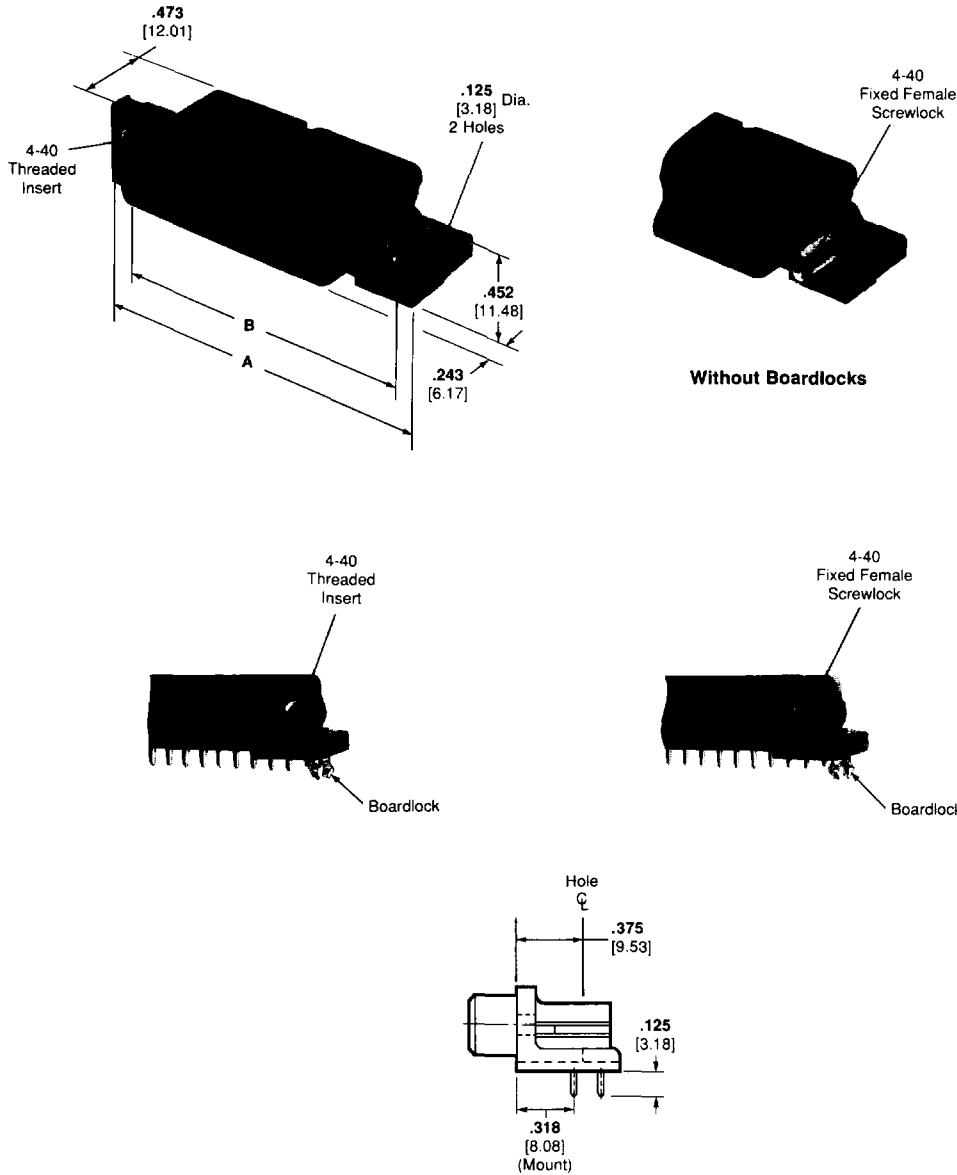
Shell Size	No. of Contact Positions	Dimensions		Contact Finish (Plating Code)	Without Boardlocks		With Boardlocks	
		A	B		With Threaded Inserts	With Fixed Female Screwlocks	With Threaded Inserts	With Fixed Female Screwlocks
1	9	1.222 31.04	.984 24.99	A	748863-1	748943-1	748903-1	748983-1
				B	748863-2	748943-2	748903-2	748983-2
				C	748863-3	748943-3	748903-3	748983-3
2	15	1.550 39.37	1.312 33.32	A	748864-1	748944-1	748904-1	748984-1
				B	748864-2	748944-2	748904-2	748984-2
				C	748864-3	748944-3	748904-3	748984-3
3	25	2.090 53.09	1.852 47.04	A	748865-1	748945-1	748905-1	748985-1
				B	748865-2	748945-2	748905-2	748985-2
				C	748865-3	748945-3	748905-3	748985-3
4	37	2.738 69.55	2.500 63.50	A	748866-1	748946-1	748906-1	748986-1
				B	748866-2	748946-2	748906-2	748986-2
				C	748866-3	748946-3	748906-3	748986-3

Specifications subject to change.
For latest design specifications...
1-800-522-6752

HD-20 All-Plastic Right-Angle Posted Connectors 318 Mount

Dimensioning:
 Dimensions are in inches and millimeters.
 Values in brackets are metric equivalents.
 Charts contain dimensions in inches over millimeters.

Receptacles



Material and Finish:

Housing — 94V-0 rated thermoplastic, black
Eyelets — Brass, tin plated
Threaded Inserts — Zinc
Female Screwlock — Zinc
Boardlock — Copper alloy, tin-lead plated
Socket Contacts (Posted) — Phosphor Bronze, duplex plated as follows:
A — .000030 [0.00076] gold on mating end, tin-lead on termination end, with entire contact nickel underplated
B — Gold flash on mating end, tin-lead on termination end, with entire contact nickel underplated
C — .000010 [0.000254] gold on mating end, tin-lead on termination end, with entire contact nickel underplated

2
 Pin and Socket Connectors

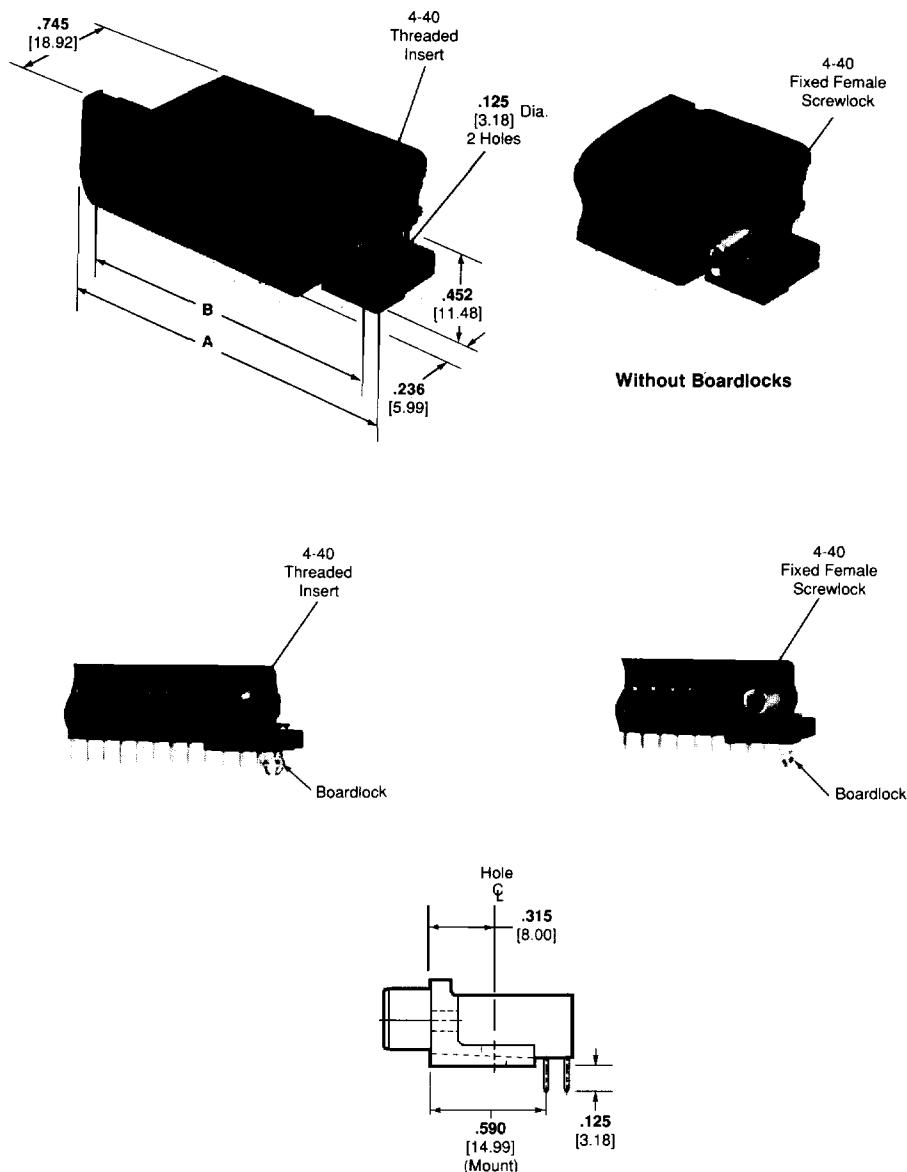
Shell Size	No. of Contact Positions	Dimensions		Contact Finish (Plating Code)	Without Boardlocks		With Boardlocks	
		A	B		With Threaded Inserts	With Fixed Female Screwlocks	With Threaded Inserts	With Fixed Female Screwlocks
1	9	1.222 31.04	.984 24.99	A	748859-1	748939-1	748899-1	748979-1
				B	748859-2	748939-2	748899-2	748979-2
				C	748859-3	748939-3	748899-3	748979-3
2	15	1.550 39.37	1.312 33.32	A	748860-1	748940-1	748900-1	748980-1
				B	748860-2	748940-2	748900-2	748980-2
				C	748860-3	748940-3	748900-3	748980-3
3	25	2.090 53.09	1.852 47.04	A	748861-1	748941-1	748901-1	748981-1
				B	748861-2	748941-2	748901-2	748981-2
				C	748861-3	748941-3	748901-3	748981-3
4	37	2.738 69.55	2.500 63.50	A	748862-1	748942-1	748902-1	748982-1
				B	748862-2	748942-2	748902-2	748982-2
				C	748862-3	748942-3	748902-3	748982-3

HD-20 All-Plastic Right-Angle Posted Connectors 590 Mount

Specifications subject to change.
For latest design specifications...
1-800-522-6752

Dimensioning:
Dimensions are in inches and millimeters.
Values in brackets are metric equivalents.
Charts contain dimensions in inches over
millimeters.

Plugs



Material and Finish:

Housing—94V-0 rated thermoplastic, black
Eyelets—Brass, tin plated
Threaded Inserts—Zinc
Female Screwlock—Zinc
Boardlock—Copper alloy, tin-lead plated
Pin Contacts (Posted)—Brass, duplex plated as follows:
A— .000030 [0.00076] gold on mating end, tin-lead on termination end, with entire contact nickel underplated
B— Gold flash on mating end tin-lead on termination end, with entire contact nickel underplated
C— .000010 [0.000254] gold on mating end, tin-lead on termination end, with entire contact nickel underplated

2

Pin and Socket Connectors

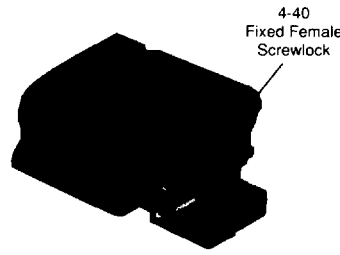
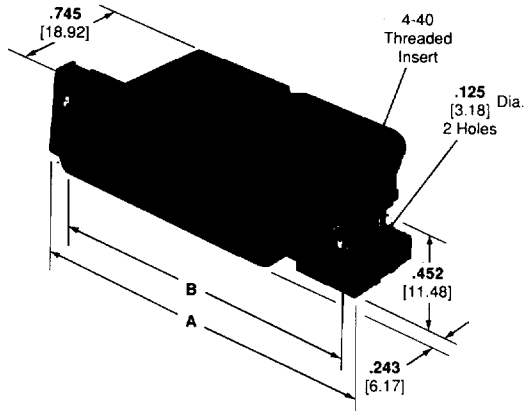
Shell Size	No. of Contact Positions	Dimensions		Contact Finish (Plating Code)	Without Boardlocks		With Boardlocks	
		A	B		With Threaded Inserts	With Fixed Female Screwlocks	With Threaded Inserts	With Fixed Female Screwlocks
1	9	1.222 31.04	.984 24.99	A	748871-1	748951-1	748911-1	748991-1
				B	748871-2	748951-2	748911-2	748991-2
				C	748871-3	748951-3	748911-3	748991-3
2	15	1.550 39.37	1.312 33.32	A	748872-1	748952-1	748912-1	748992-1
				B	748872-2	748952-2	748912-2	748992-2
				C	748872-3	748952-3	748912-3	748992-3
3	25	2.090 53.09	1.852 47.04	A	748873-1	748953-1	748913-1	748993-1
				B	748873-2	748953-2	748913-2	748993-2
				C	748873-3	748953-3	748913-3	748993-3
4	37	2.738 69.55	2.500 63.50	A	748874-1	748954-1	748914-1	748994-1
				B	748874-2	748954-2	748914-2	748994-2
				C	748874-3	748954-3	748914-3	748994-3

**HD-20 All-Plastic
Right-Angle Posted Connectors
590 Mount**

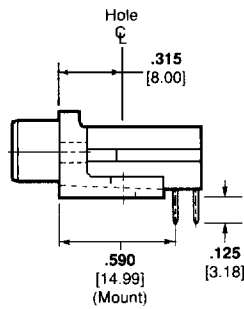
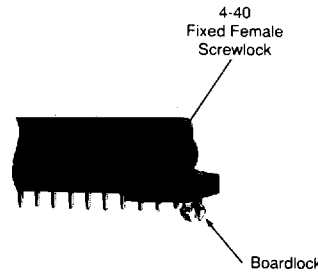
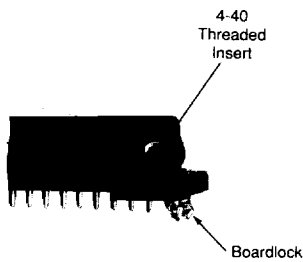
*Specifications subject to change.
For latest design specifications...
1-800-522-6752*

Dimensioning:
Dimensions are in inches and millimeters.
Values in brackets are metric equivalents.
Charts contain dimensions in inches over
millimeters.

Receptacles



Without Boardlocks



Material and Finish:

Housing — 94V-0 rated thermoplastic, black
Eyelets — Brass, tin plated
Threaded Inserts — Zinc
Female Screwlock — Zinc
Boardlock — Copper alloy, tin-lead plated
Socket Contacts (Posted) — Phosphor Bronze, duplex plated as follows:
A — .000030 [0.00076] gold on mating end, tin-lead on termination end, with entire contact nickel underplated
B — Gold flash on mating end, tin-lead on termination end, with entire contact nickel underplated
C — .000010 [0.000254] gold on mating end, tin-lead on termination end, with entire contact nickel underplated

Pin and Socket Connectors

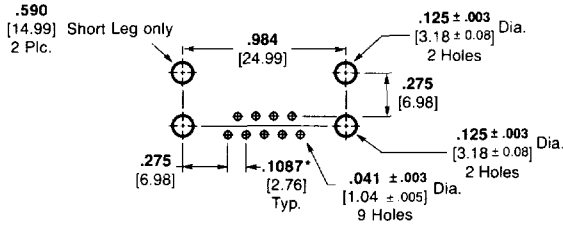
2

Shell Size	No. of Contact Positions	Dimensions		Contact Finish (Plating Code)	Without Boardlocks		With Boardlocks	
		A	B		With Threaded Inserts	With Fixed Female Screwlocks	With Threaded Inserts	With Fixed Female Screwlocks
1	9	1.222 31.04	.984 24.99	A	748867-1	748947-1	748907-1	748987-1
				B	748867-2	748947-2	748907-2	748987-2
				C	748867-3	748947-3	748907-3	748987-3
2	15	1.550 39.37	1.312 33.32	A	748868-1	748948-1	748908-1	748988-1
				B	748868-2	748948-2	748908-2	748988-2
				C	748868-3	748948-3	748908-3	748988-3
3	25	2.090 53.09	1.852 47.04	A	748869-1	748949-1	748909-1	748989-1
				B	748869-2	748949-2	748909-2	748989-2
				C	748869-3	748949-3	748909-3	748989-3
4	37	2.738 69.55	2.500 63.50	A	748870-1	748950-1	748910-1	748990-1
				B	748870-2	748950-2	748910-2	748990-2
				C	748870-3	748950-3	748910-3	748990-3

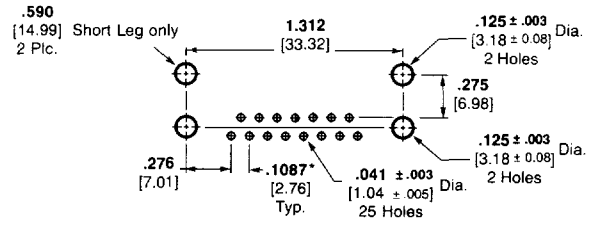
**Pc Board Mounting
Specifications**

Dimensioning:
Dimensions are in inches and millimeters.
Values in brackets are metric equivalents.
Charts contain dimensions in inches over
millimeters.

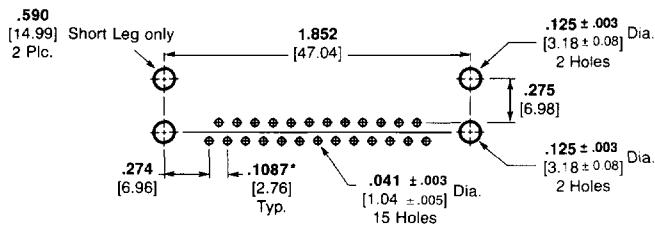
**HD-20 Right-Angle
Posted Connectors**



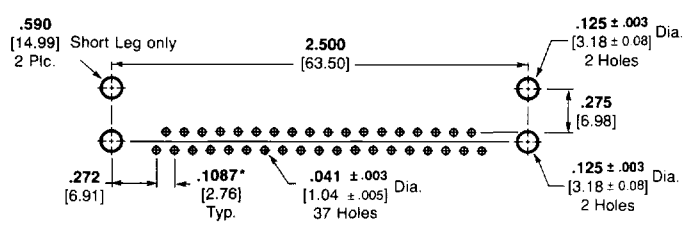
Shell Size 1 (9 position)



Shell Size 2 (15 Position)



Shell Size 3 (25 Position)

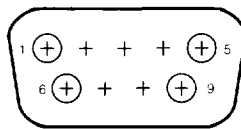


Shell Size 4 (37 Position)

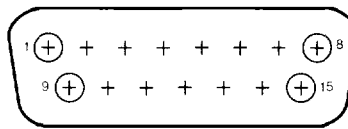
* This dimension is non-cumulative.

- Notes:**
1. All receptacles are preloaded with size 20 DF socket contacts.
 2. Recommended pc board thickness is .062 [1.57] for connectors with boardlocks and .093 [2.36] max. for all others.
 3. Pc board layouts illustrated above serve as a guide only; they are not to be used for actual design or construction of customer equipment. Consult AMP Incorporated for detailed pc board layout requirements.

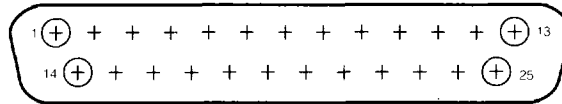
**Contact Arrangements
Plug***



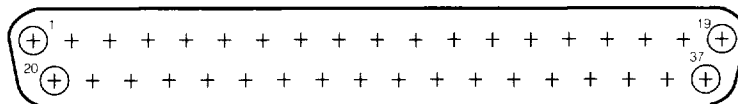
**Shell Size 1
(9 Position)**



**Shell Size 2
(15 Position)**



**Shell Size 3
(25 Position)**



**Shell Size 4
(37 Position)**

*Receptacle contact arrangements are mirror image of plugs.