



PARA LIGHT ELECTRONICS CO., LTD

Tel: 886-2-2225-3733

Fax: 886-2-2225-4800

Mail:para@para.com.tw

Website:http://www.para.com.tw

LED T-8 Light Tube
Product Data Sheet

Part Number : T8F20W-CWE0-FW

Rev : A /0

Producer: Zhuang Wei

Auditing: *Steven*

DRAWING NO. : DS-80-12-XXXX

DATE : 2012-8-29

Page : 1

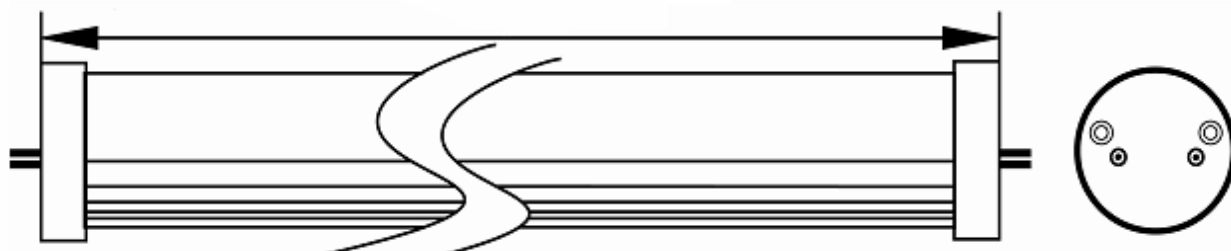
◆ Product Features and Overview:

1. Extrude aluminum heat-sink with superior heat dissipating capability enables longer product life.
2. No glare design.
3. Using constant current driving circuit with power factor correction.
4. Using micro-chip shunt circuit driving technique to maximize efficacy.
5. Compatible to fluorescent light tube bi-pin socket.
6. Solid state lighting. Energy saving lighting product.
7. Long life. More than 20,000 hours. That's more than 18 years based on 3 hours per day usage.
8. Low radiated heat.
9. RoHS compliant. Mercury free.

◆ Photo:



◆ Dimensions :

 1198 ± 1.5 单位：毫米
Unit: mm

◆ Electrical Characteristics:

Part Number	T8F20W-CWE0-FW
Input Voltage Range	90V-264V
LED Type	2835
LED Quantity	168Pcs
Power Factor	> 0.9
Power Consumption	20W ± 10%

◆ Mechanical Characteristics:

Part Number	T8F20W-CWE0-FW
Heat-Sink Material	Aluminum Al-6063-T5
Power Supply	Internal Power
Cover Material	Frosted Strips
Material	Aluminum PCB
Socket Type	G13
Tube Diameter	Φ26mm
Tube length	1200mm

◆ Optical Characteristics:

Part Number	T8F20W-CWE0-FW
Color Rendering Index	> 70
Luminous Flux	>2100lm
Color Temperature	6000 ± 500K

◆ Operation Conditions:

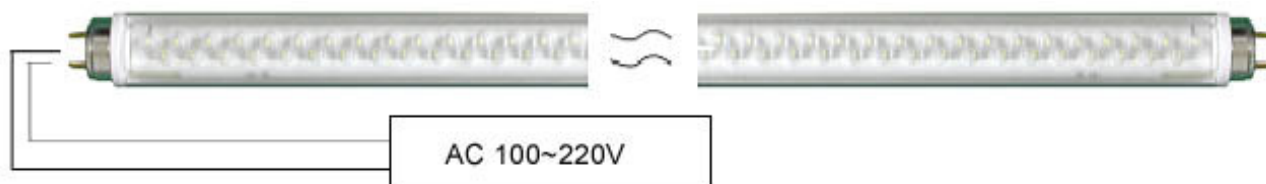
Heat-Sink Surface Temp.	< 60℃
Operating Temp. Range	-20~+40℃
Storage Temp. Range	-20~+60℃

◆ Reliability Tests:

Item	Test Conditions
High temperature high humidity test	temperature: 60℃, humidity: 85%240H
High temperature test	temperature: 60℃
Switch test	temperature: 25℃,AC110V, turn on/off 1500 times
Life test	temperature: 25℃,AC220V,1000H

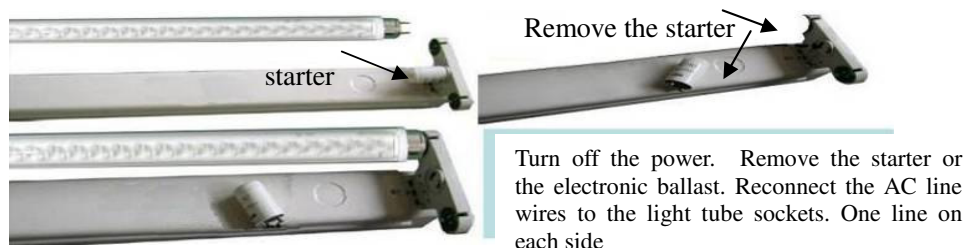
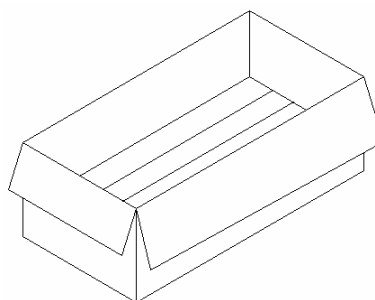
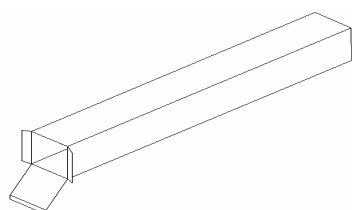
◆ Installation:

- LED T-8 tube connection diagram



- Retrofit Installation Procedures (Performed by Professional Electrician only):

- ◆ Turn off the power. Remove the starter. Reconnect AC line wires directly to the light socket. One line on each side.
If electronic ballast is used, disconnect AC line wires from the electronic ballast. Reconnect AC line wires directly to the light socket. One line on each side.
- ◆ Recommend height: 3~3.5 meters from the ground.

**◆ Packaging Method:**

Inside carton size: 29*29*620mm
Outside carton size: 180*180*635mm
1 box: 5 level * 5 pcs = 25 pcs
Gross weight : 13.69KG
Volume: 17