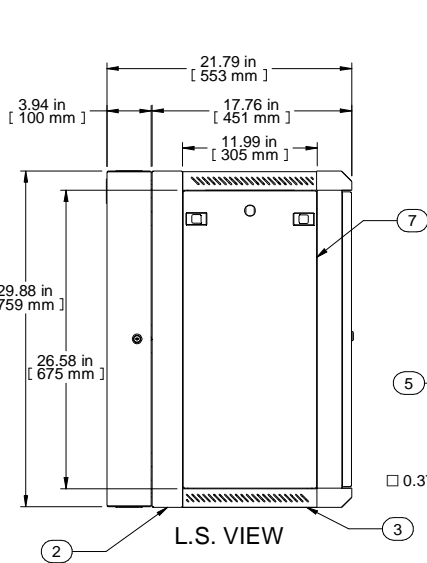
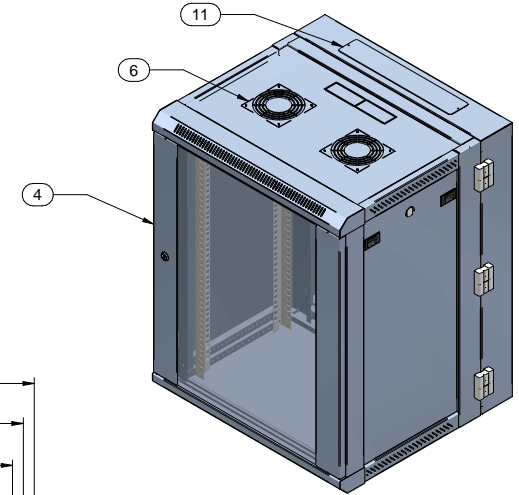
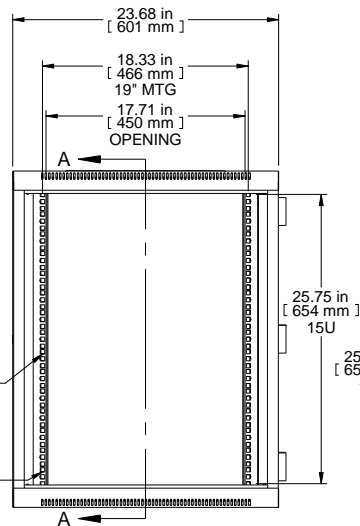


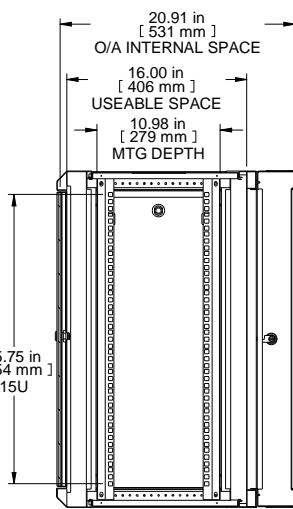
TOP VIEW



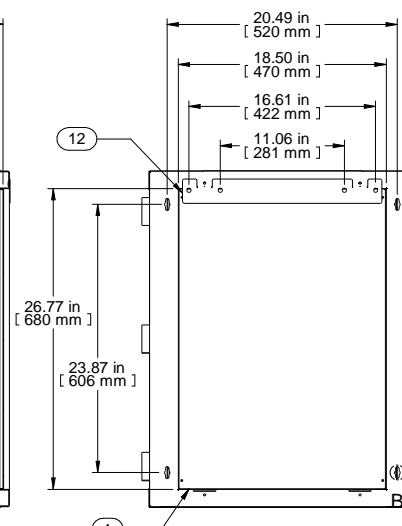
L.S. VIEW



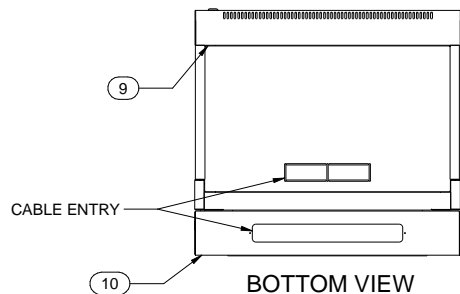
FRONT VIEW
DOOR REMOVED



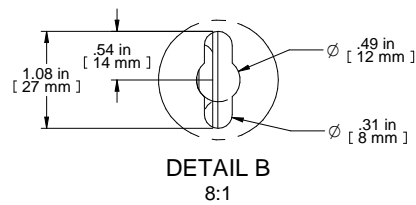
SECTION A-A



REAR VIEW



BOTTOM VIEW



DETAIL B
8:1

Item Number	Title	Quantity
1	BACK PANEL	1
2	REAR SWING FRAME	1
3	SIDE SWING FRAME	2
4	FRONT DOOR ASSEMBLY	1
5	15U COMBINATION MOUNTING RAIL	4
6	FAN COVER	2
7	SIDE PANEL	2
8	TOP PANEL	1
9	BOTTOM PANEL	1
10	REAR FRAME	1
11	CABLE ENTRY COVER	2
12	WALL MOUNTING BRACKET	1

PART NUMBERS

SWCC1902621BK2 | PAINTED BLACK TEXTURED

NOTES

Shipped knockdown for ease & protection.

Data subject to change without notice. Isometric drawing not to scale.



www.hammondmfg.com

PART NO.

SWCC1902621