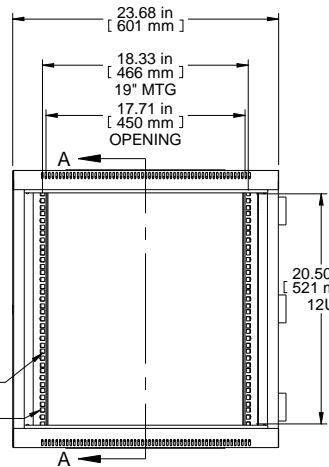
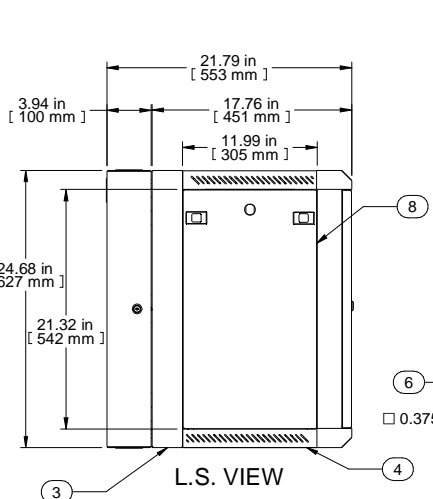
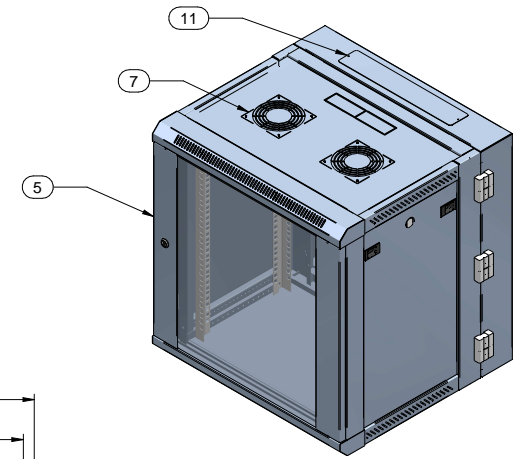
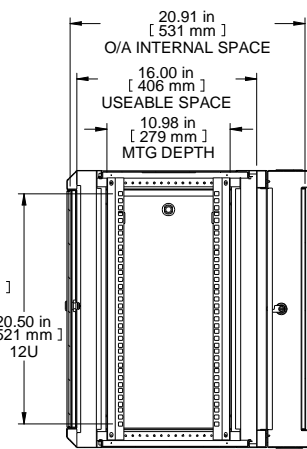


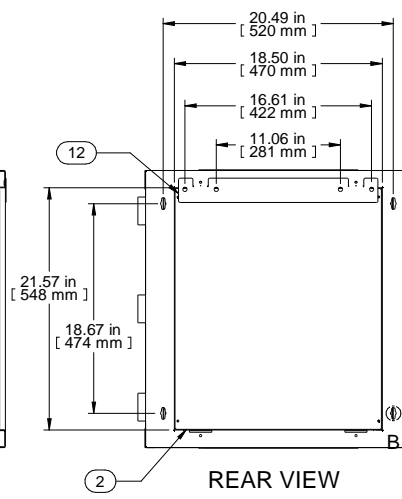
TOP VIEW



FRONT VIEW DOOR REMOVED



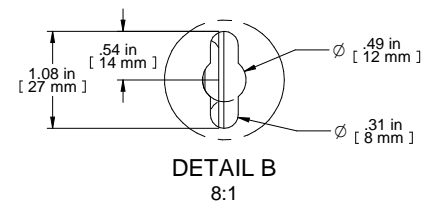
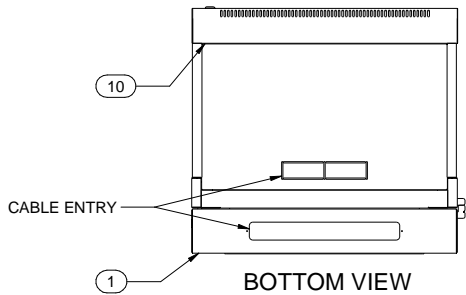
SECTION A-A



Item Number	Title	Quantity
1	REAR FRAME	1
2	BACK PANEL	1
3	REAR SWING FRAME	1
4	SIDE SWING FRAME	2
5	FRONT DOOR ASSEMBLY	1
6	12U COMBINATION MOUNTING RAIL	4
7	FAN COVER	2
8	SIDE PANEL	2
9	TOP PANEL	1
10	BOTTOM PANEL	1
11	CABLE ENTRY COVER	2
12	WALL MOUNTING BRACKET	1

PART NUMBERS	
SWCC190212BK2	PAINTED BLACK TEXTURED

NOTES	
Shipped knockdown for ease & protection.	



Data subject to change without notice. Isometric drawing not to scale.



www.hammondmfg.com

PART NO. SWCC1902121