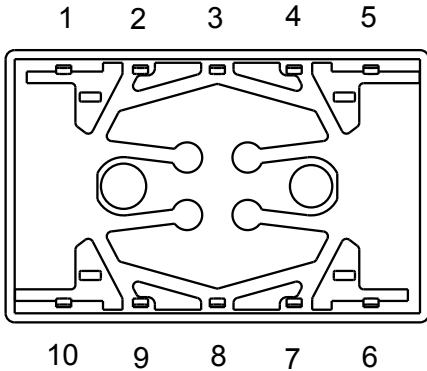
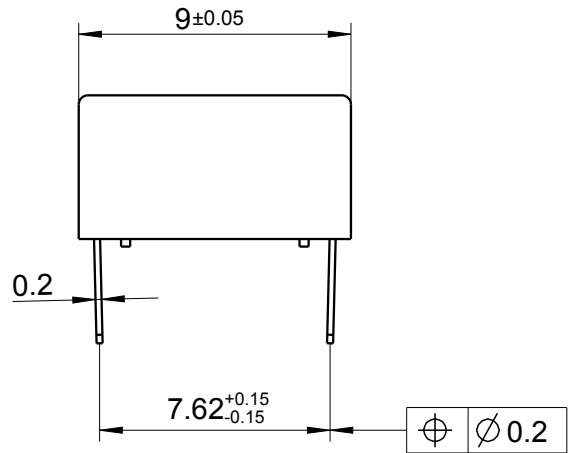
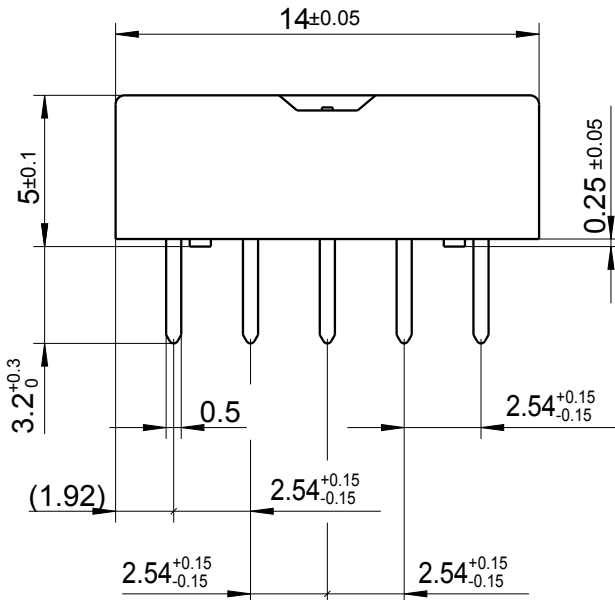


LOC	DIST	REVISIONS					
		P	LTR	DESCRIPTION	DATE	DWN	APVD
HJ	-						
		A2		Doc change D02239-DOK51 to C-1462033-2	30Jan2006	UKo	HD
		A3		change marking	28Jul2006	UKo	HD
		A4		REVISED PER ECO-11-005150	23MAR2011	RK	HMR
		A5		REVISED PER ECO-13-009556	14JUN2013	UKo	AK



Relay - bottom view



xxxx = Relay type
 zz = nominal voltage
 YYWW = Date code

2006

RELEASED FOR PUBLICATION

ALL RIGHTS RESERVED.

THIS DRAWING IS UNPUBLISHED.

© COPYRIGHT 2006

DRAWING ALIAS: D02239-DOK51

DIMENSIONS: mm	DWN AB 9124 23AUG1995	MATERIAL -	FINISH -
TOLERANCES UNLESS OTHERWISE SPECIFIED: DIN 7168-m	CHK HD 9121 23AUG1995	TE Connectivity	
0 PLC ±-	APVD HD 9121 23AUG1995		
1 PLC ±-	PRODUCT SPEC	NAME FP2-Relay Dimensions	
2 PLC ±-	APPLICATION SPEC	SIZE A4	CAGE CODE 00779
3 PLC ±-		DRAWING NO C-1462033-2	RESTRICTED TO -
4 PLC ±-	WEIGHT -		
ANGLES ±-		SCALE 4:1	SHEET 1 OF 1
	CUSTOMER DRAWING	REV A5	