

Horizontal type, 125°C Use, High-temperature Capacitors

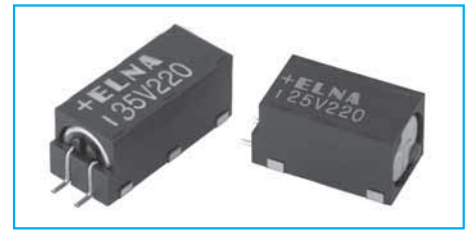
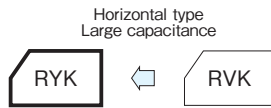
SMD

Vibration Resistance

125°C 1000hours

Anti-cleaning solvent

- 125°C high temperature surface mount.
- Highly resistant to vibration.
- Available in horizontal configurations only.
- Carrier taping supplied.
- Guarantees 1000 hours at 125°C.



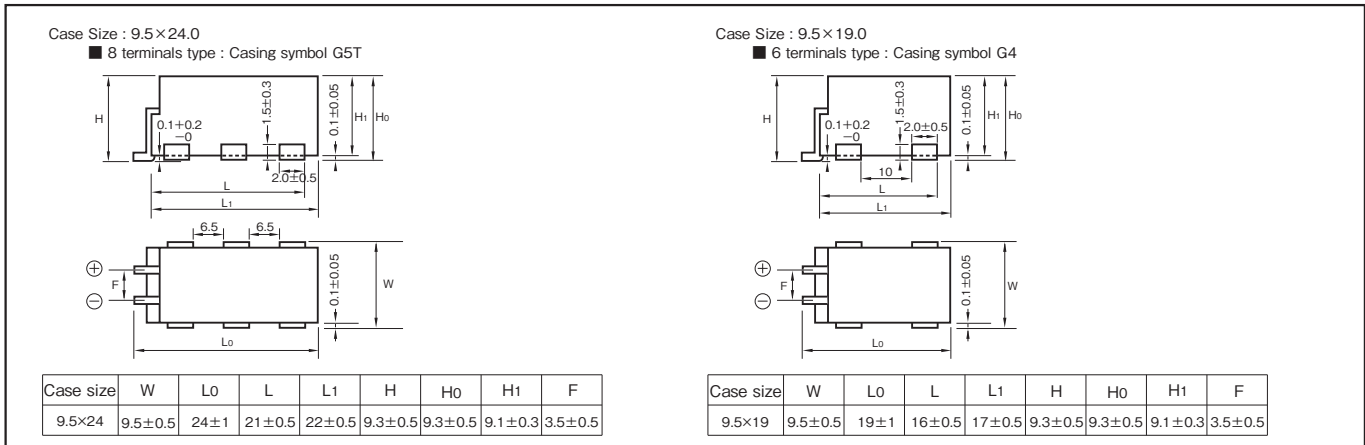
Marking color : White print on a black case

Specifications

| Item | Performance | | | | | | | | |
|---|--|---|------|------|------|------|------|------|---|
| Category temperature range (°C) | -40 to +125 | | | | | | | | |
| Tolerance at rated capacitance (%) | ±20 (20°C, 120Hz) | | | | | | | | |
| Leakage current (µA) | Less than 0.02CV (after 2 minutes) C : Rated capacitance (µF) ; V : Rated voltage (V) (20°C) | | | | | | | | |
| Tangent of loss angle (tanδ) | Rated voltage (V) | 6.3 | 10 | 16 | 25 | 35 | 50 | 63 | |
| | tanδ (max.) | 0.3 | 0.28 | 0.26 | 0.24 | 0.20 | 0.19 | 0.18 | |
| Characteristics at high and low temperature | Rated voltage (V) | 6.3 | 10 | 16 | 25 | 35 | 50 | 63 | |
| | Impedance ratio (max.) | Z-25°C/Z+20°C | 3 | 3 | 3 | 3 | 3 | 3 | 3 |
| | | Z-40°C/Z+20°C | 5 | 5 | 5 | 5 | 5 | 5 | 5 |
| Endurance (125°C) (Applied ripple current) | Test time | 1000 hours | | | | | | | |
| | Percentage of capacitance change | Within ±30% of initial value | | | | | | | |
| | Tangent of the loss angle | 300% or less of the initial specified value | | | | | | | |
| | Leakage current | The initial specified value or less | | | | | | | |
| Shelf life (125°C) | Test time | 1000 hours | | | | | | | |
| | Percentage of capacitance change | Within ±20% of initial value | | | | | | | |
| | Tangent of the loss angle | 200% or less of the initial specified value | | | | | | | |
| | Leakage current | The initial specified value or less | | | | | | | |
| Applicable standards | Pretreatment performed JIS C5101-1 1998, -18 1999 (IEC 60384-1 1992, -18 1993) | | | | | | | | |

Outline Drawing

Unit : mm



• Soldering conditions are described on page 11. • Land pattern size are described on page 12. • The taping specifications are described on page 13.

Part numbering system (example: 10V560µF)

| | | | | | | | | | |
|-------------|---|----------------------|---|--------------------------|------------------------------|---------------|---|---|----------------------|
| RYPK | — | 10 | V | 561 | M | G5T | T | — | FL |
| Series code | | Rated voltage symbol | | Rated capacitance symbol | Capacitance tolerance symbol | Casing symbol | | | Tray polarity symbol |

Coefficient of Frequency for Rated Ripple Current

| Frequency (Hz) | 120 | 1k | 10k | 100k |
|-------------------|------|------|------|------|
| Rated voltage (V) | | | | |
| 10 to 63 | 0.77 | 0.88 | 0.96 | 1 |

Standard Ratings

| Rated capacitance (µF) | Item | 6.3 | | | 10 | | | 16 | | | 25 | | | 35 | | | 50 | | | 63 | | |
|------------------------|----------|---------------|---------------|---------------------------|---------------|---------------|---------------------------|---------------|---------------|---------------------------|---------------|---------------|---------------------------|---------------|---------------|---------------------------|---------------|---------------|---------------------------|----------|------|-----|
| | | Case W×L (mm) | Impedance (Ω) | Rated ripple current (mA) | Case W×L (mm) | Impedance (Ω) | Rated ripple current (mA) | Case W×L (mm) | Impedance (Ω) | Rated ripple current (mA) | Case W×L (mm) | Impedance (Ω) | Rated ripple current (mA) | Case W×L (mm) | Impedance (Ω) | Rated ripple current (mA) | Case W×L (mm) | Impedance (Ω) | Rated ripple current (mA) | | | |
| 56 | — | — | — | — | — | — | — | — | — | — | — | — | — | — | — | — | — | — | — | | | |
| 82 | — | — | — | — | — | — | — | — | — | — | — | — | — | — | — | — | 9.5×19.0 | 0.49 | 210 | 9.5×24.0 | 0.37 | 272 |
| 100 | — | — | — | — | — | — | — | — | — | — | — | — | 9.5×19.0 | 0.40 | 232 | 9.5×24.0 | 0.35 | 279 | — | — | — | |
| 220 | — | — | — | — | — | — | — | — | — | — | — | — | 9.5×19.0 | 0.40 | 232 | 9.5×24.0 | 0.30 | 302 | — | — | — | |
| 270 | — | — | — | — | — | — | — | — | — | — | — | — | 9.5×19.0 | 0.40 | 232 | 9.5×24.0 | 0.30 | 302 | — | — | — | |
| 470 | — | — | — | — | — | — | — | — | — | — | — | — | 9.5×19.0 | 0.40 | 232 | 9.5×24.0 | 0.30 | 302 | — | — | — | |
| 560 | 9.5×19.0 | 0.40 | 232 | 9.5×24.0 | 0.30 | 302 | — | — | — | — | — | — | — | — | — | — | — | — | — | — | — | |
| 820 | 9.5×24.0 | 0.30 | 302 | — | — | — | — | — | — | — | — | — | — | — | — | — | — | — | — | — | — | |

(Note) Rated ripple current : 125°C, 100kHz ; Impedance : 20°C, 100kHz

NOTE

Design, Specifications are subject to change without notice. Ask factory for technical specifications before purchase and/or use.