

ASK Superheterodyne Wireless Receiver Module (ET-RX-13)

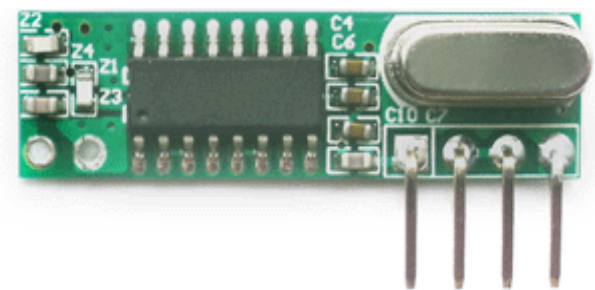
ET-RX-13 with high sensitivity, small size and lower price, be the new generation in place of ET-RXB-12

ET-RX-13 is ASK Superheterodyne Wireless Receiver Module working in ISM band. It can directly connect to MCU I/O or the Data Input Port on wireless decoder chip. Easily fulfil the function from Wireless signal to Data Receiving.

ET-RX-13 can work with several module (one transmitter module and several receiver module) at the same time, and have no interference to each other, and don't influence the receiving distance.

Key Feature

- ◆ Modulation Mode : ASK / OOK
- ◆ Operating Frequency : 433.92 Mhz
- ◆ Operating Voltage : 3.3~5.5 V
- ◆ Operating Current : 3.8~4.1 mA (5.0V)
- ◆ Data Rate : 2.4 Kbps
- ◆ Sensitivity : -107 dbm
- ◆ Operating Temperature : -30~+85 °C
- ◆ Working Distance : 300 m
- ◆ Dimension : 30*8.5*5 mm



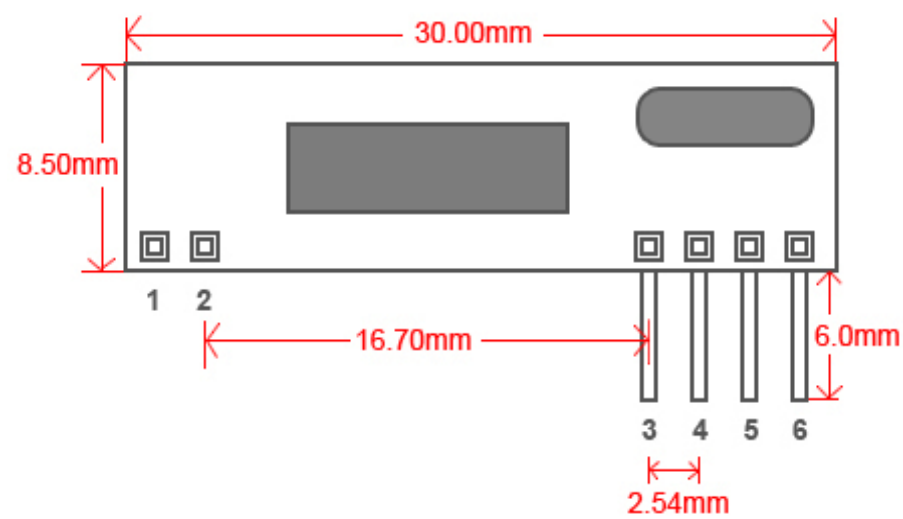
Application

- ◆ Car security system
- ◆ Remote keyless entry (RKE)
- ◆ Garage door controller
- ◆ Home security
- ◆ Wireless controller
- ◆ Automation system

Electrical Characteristics

Parameter	Symbol	Condition	Specification			Unit
			Min	Typical	Max	
Operating frequency	Fc		433.82	433.92	434.02	MHz
Modulation mode			ASK			
Sensitivity		1 Kbps / 50Ω		-107		dBm
Bandwidth				200		KHz
Turn on time	Ton				20	ms
Operating Voltage	VCC		3.3	5	5.75	V
Operating current	IRC		3.8	3.9	4.1	mA
Operating temperature			-30		85	°C

Pin Dimension



1: ANT 2: GND 3: VCC 4: DATA 5: DATA 6: GND

NOTE :

ET-RX-13 Drive Current from Data-PIN is weak, **if directly connection with Driving Chip** which I/O can not connect Pull Up Resistor or Pull Down Resistor, Driving Chip inner Pull Up Resistor and Pull Down Resistor turn to Disabled State.