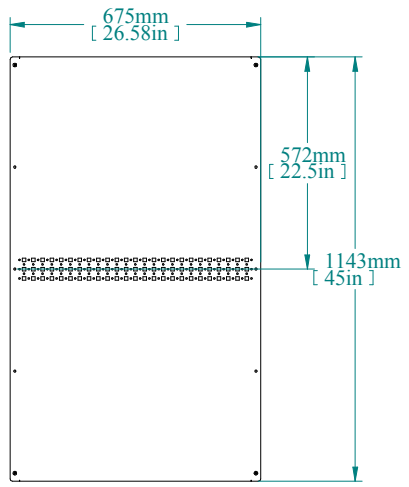


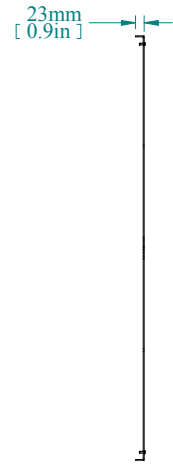
ISOMETRIC VIEW



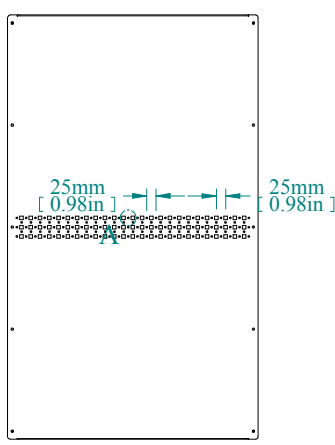
TOP VIEW



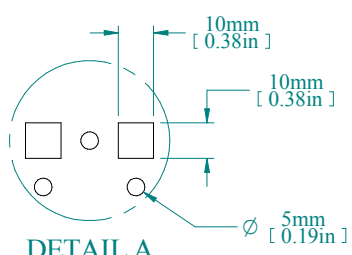
FRONT VIEW



L.S. VIEW



REAR VIEW



DETAIL A

PART NUMBERS	
HSIP148	14 GAUGE GALVANIZED STEEL

NOTES
Unpainted Allows installation of 19" mounting rails including center support Hammond Website for Additional Accessories

Data subject to change without notice. Isometric drawing not to scale.



**HAMMOND
MANUFACTURING™**

www.hammondmfg.com

PART NO. HSIP148