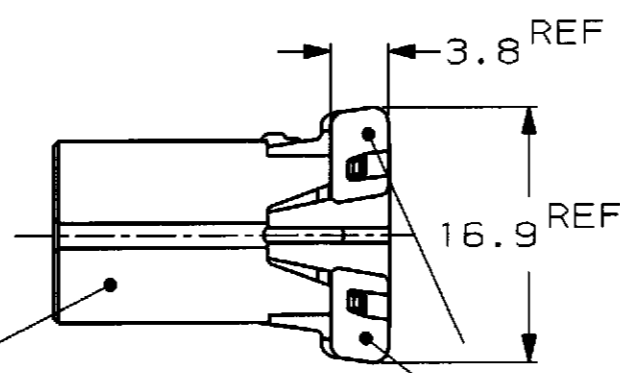
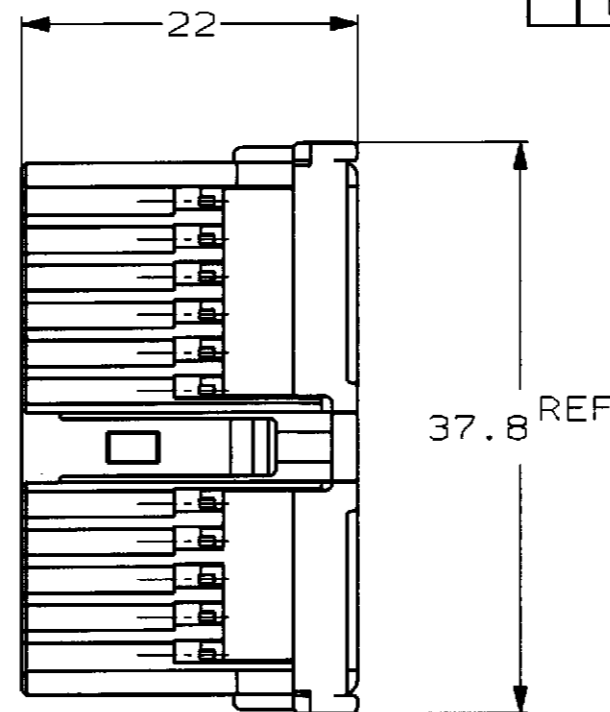
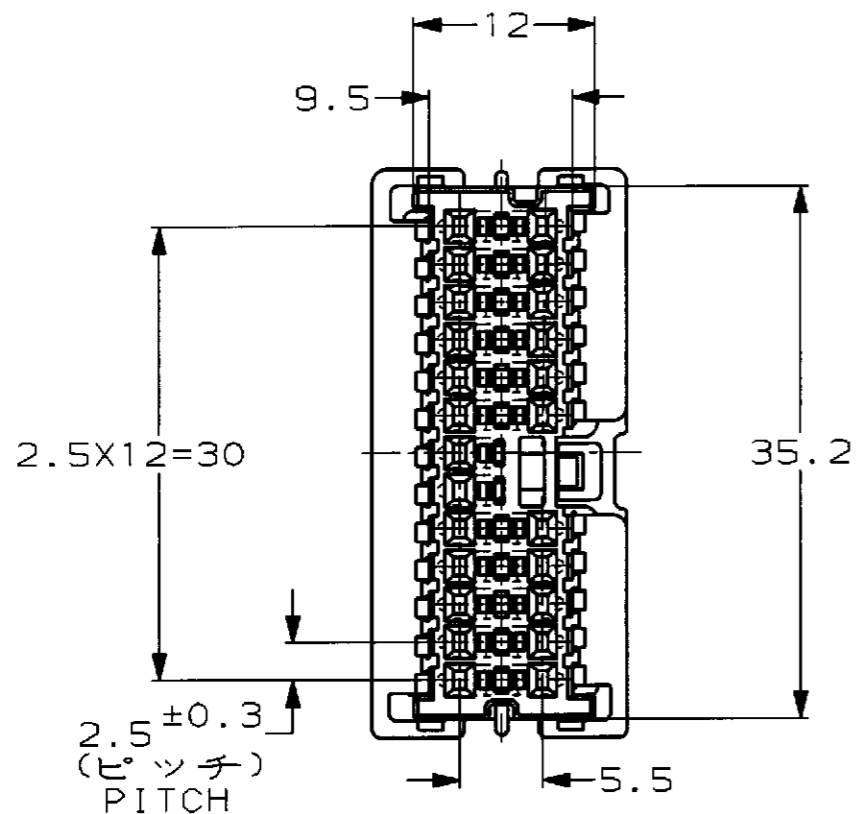
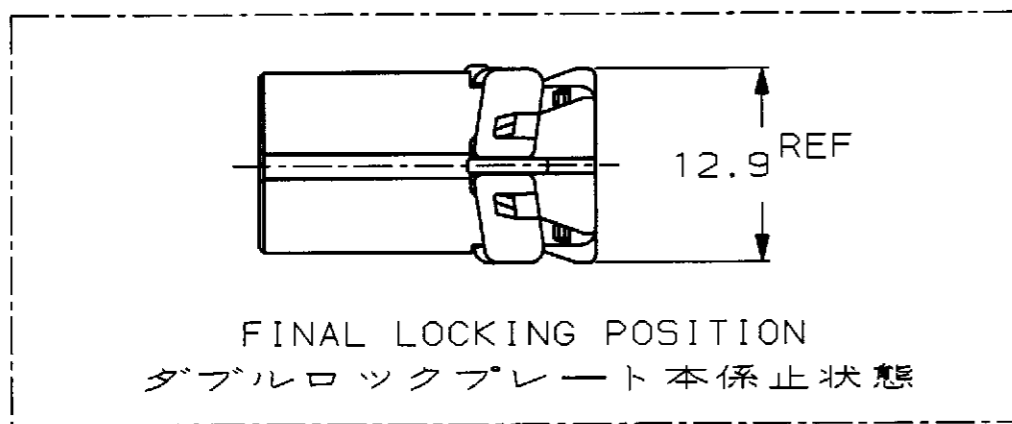


P	LTR	DESCRIPTION	ECN	DATE	DWN	APVD
	A	再作成 REDRAWN	FJ00-0506-98	10APR98	TM	MT
	B	変更 REVISED	FJ00-2023-98	26OCT98	TM	MT



PLUG HOUSING
プラグハウジング

DOUBLE LOCK PLATE (NATURAL)
ダブルロックプレート(自然色)



1123431-1	1123364-1	316836-1 316837-2 (AU)	自然色 (NATURAL)	1123387-1
電線対基板用 WIRE TO BOARD	電線対電線用 WIRE TO WIRE	適用端子型番 APPLICABLE CONTACT	色 (COLOR)	型番 PART NUMBER
嵌合相手ハウジング型番 MATING HOUSING PART NUMBER				
THIS DRAWING IS A CONTROLLED DOCUMENT FOR AMP INCORPORATED. OWN IT IS SUBJECT TO CHANGE AND THE CONTROLLING ENGINEERING ORGANIZATION SHOULD BE CONTACTED FOR THE LATEST REVISION.				
DIMENSIONS: 単位: 毫米 mm		TOLERANCES UNLESS OTHERWISE SPECIFIED		
		一般公差 10% : ±0.2 30% : ±0.25 100% : ±0.3 ANGLE : ±0.3°		
MATERIAL 材料	FINISH 仕上	08APR98 T. MINEMATSU 08APR98 E. SASAKI 10APR98 M. TSUKAKOSHI PRODUCT SPEC 製品規格 108-5603 108-5607 APPLICATION SPEC 取付適用規格 114-5217 WEIGHT 5.2g CUSTOMER DRAWING		
PBT		SIZE	CAGE CODE	DRAWING NO
		A3	00779	1123387
		RESTRICTED TO		
		SCALE 尺度	SHEET 1	OF 1 REV B
		2:1		

mailto:2/new/u.c98-0070/u.customer/sr-1123387