

SPECIFICATIONS

Header Connector

Mechanical

Durability: 50 Cycles.

HT Series

Vertical Type, SMT

Plug

1.00mm [.039"] Pitch

Electrical

Voltage Rating: 50V.

Current Rating: 1.0Amps max. per contact.

Contact Resistance: 20mW max.

Dielectric Withstanding Voltage: 500V DC.

Insulation Resistance: 100MW min.

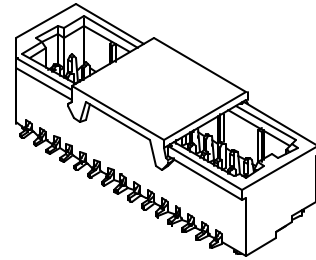
Physical

Housing: High Temperature Nylon, UL94 V-0 rated in Ivory Color

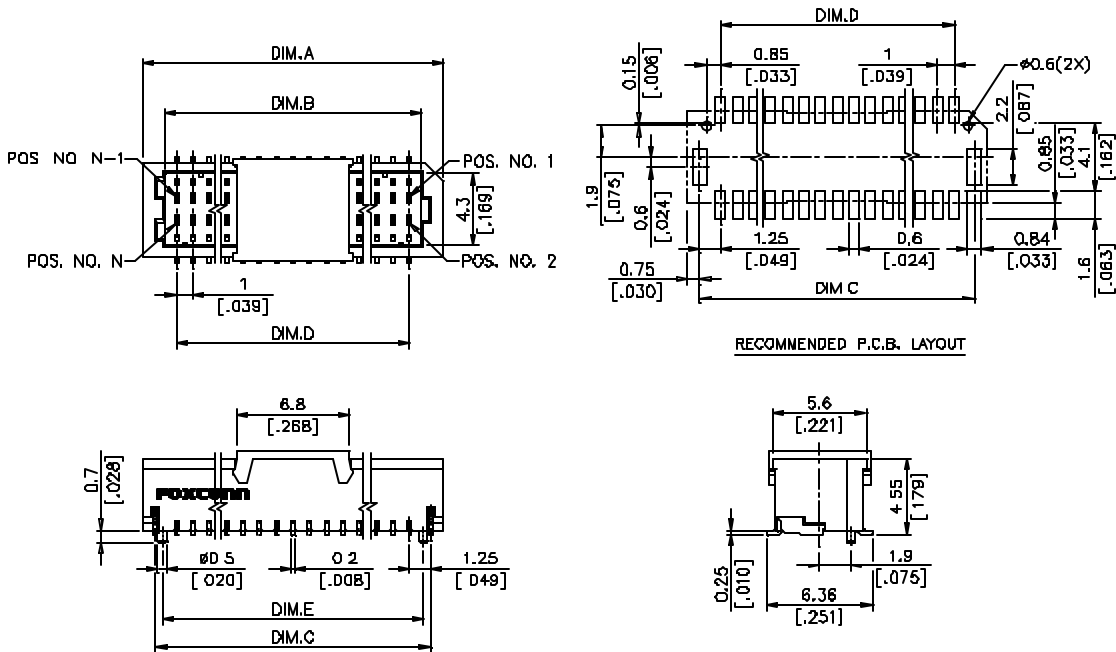
Contact: Copper alloy

Plating: See "ORDERING INFORMATION"

Operating Temperature: -25 to +85



DRAWING



ORDERING INFORMATION

PRODUCT NO. : HT 13 *** - **

- Series Prefix
- H=Header
- Body Type
- T=Shrouded SMT Type
- Termination & Contact Type
- 13=Vertical
- No. of Pos.
- 05=10 Pos.
- 06=12 Pos.
- .
- 25=50 Pos.
- Modification Code
- None=Standard Product
- P2=With 2 Post
- Contact Area Plating
- E=Tin Plating With RoHS COMPLIANCE
- F=Gold Flash With RoHS COMPLIANCE
- H=30u" Gold With RoHS COMPLIANCE
- V=15u" Gold With RoHS COMPLIANCE

HT1325*-**	50	28	1.103	25.4	1.001	28.5	1.044	24.948	25.7	1.013	
HT1324*-**	48	27	1.064	24.4	.961	25.5	1.005	23.906	24.7	.973	
HT1320*-**	40	23	.906	20.4	.804	21.5	.847	19.749	20.7	.818	
HT1315*-**	30	18	.709	15.4	.607	16.6	.650	14.552	15.7	.619	
HT1312*-**	24	15	.591	12.4	.489	13.5	.532	11.433	12.7	.500	
HT1311*-**	22	14	.552	11.4	.449	12.5	.493	10.394	11.7	.461	
HT1310*-**	20	13	.512	10.4	.410	11.5	.453	9.355	10.7	.422	
HT1309*-**	18	12	.473	9.4	.370	10.6	.430	8.315	9.7	.382	
HT1308*-**	16	11	.433	8.4	.331	9.8	.374	7.276	8.7	.343	
HT1306*-**	10	8	.315	5.4	.213	6.5	.256	4.158	5.7	.225	
P/N	POS		DIM A		DIM B		DIM C		DIM D		DIM E