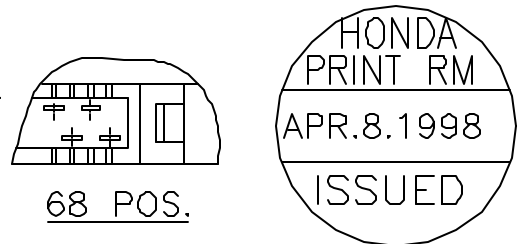
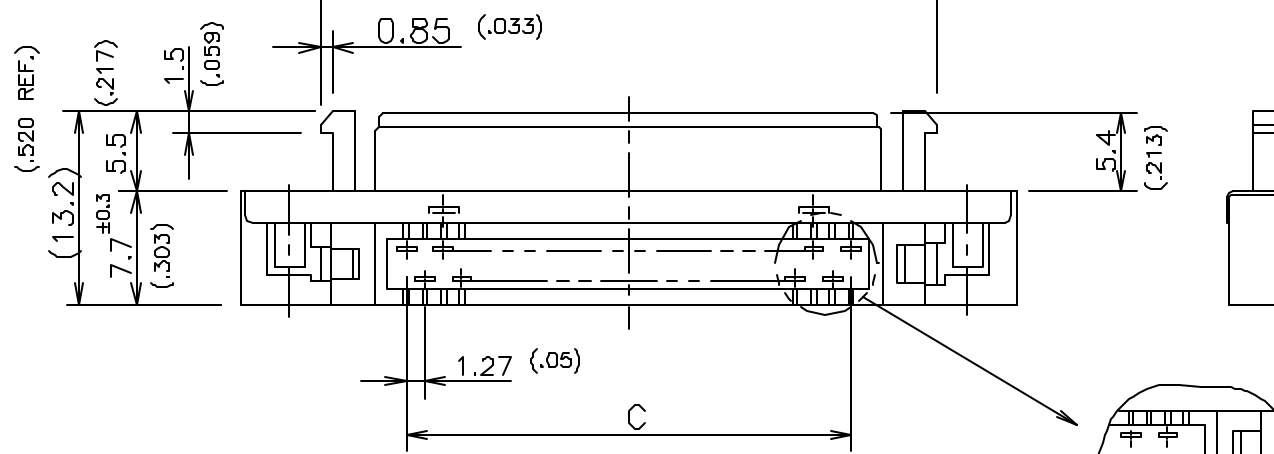
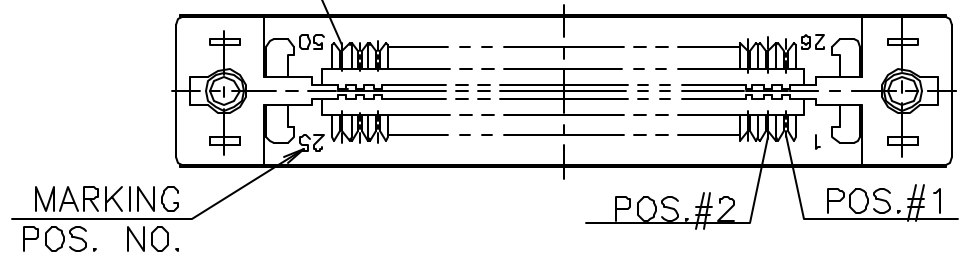


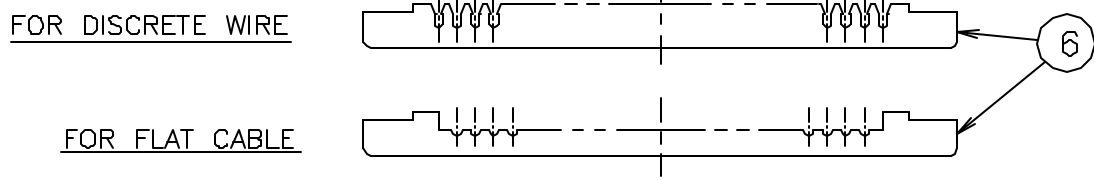
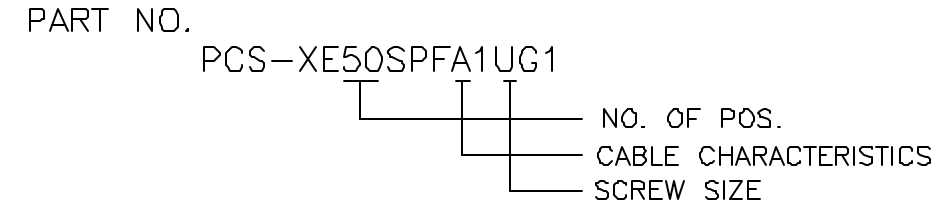
NOTE
 1. CONTACT FINISH
 GOLD(0.76μm) ON MATING AREA
 AND TERMINATION AREA ALL OVER
 NICKEL.
 2. ASSEMBLY TOOLS
 LOCATOR PLATE P/N:JGPS-091-(^{NO. OF} POS.)
 HAND PRESS P/N:MFC-K1



PART NO.	CABLE CHARACTERISTICS
PCS-XE()SPF1()G1	FOR DISCRETE WIRE #28AWG(7/0.127) O.D.:0.8~1.0mm #30AWG(7/0.1)
PCS-XE()SPFA1()G1	FOR DISCRETE WIRE #28AWG(7/0.127) O.D.:0.5~0.65mm #30AWG(7/0.1)
PCS-XE()SPFB1()G1	FOR DISCRETE WIRE #30AWG(7/0.1) O.D.:0.5~0.65mm
PCS-XE()SPFC1()G1	FOR FLAT CABLE #28AWG(7/0.127) THICKNESS:1mm MAX. #30AWG(7/0.1)
PCS-XE()SPFE1()G1	FOR FLAT CABLE #30AWG(7/0.1) THICKNESS:1mm MAX.
PCS-XE()SPFJ1()G1	FOR DISCRETE WIRE #28AWG(7/0.127) O.D.:0.65~0.8mm #30AWG(7/0.1)
PCS-XE()SPFK1()G1	FOR DISCRETE WIRE #30AWG(7/0.1) O.D.:0.65~0.8mm



PART NO.	SCREW SIZE
PCS-XE()SPF()1G1	M2.5x0.45
PCS-XE()SPF()1UG1	#4-40UNC
PCS-XE()SPF()1U2G1	#2-56UNC



NO.	PART NAME	MATERIAL	QTY	FINISH	NOTE
6	CABLE COVER	PBT(GF)	2		UL94V-0 BLACK
5	SUPPORTER	PBT(GF)	2		UL94V-0 BLACK
4	INSULATOR	PBT(GF)	1		UL94V-0 BLACK
3	SHELL	STEEL	1	NICKEL PLATING	
2	CONTACT	PHOSPHOR BRONZE	NO. OF POS.		NOTE#1
1	LOCK POST	ZINC ALLOY	2	NICKEL PLATING	

LTR.	DATE	BY	REV.	DESCRIPT	NO.	PART NAME	MATERIAL	QTY	FINISH	NOTE
	SEP.29,1994									

DATE	SCALE	UNIT	3RD . A . P	HONDA TSUSHIN KOGYO., LTD.	
SEP.29,1994	2/1	mm(INCH)		NAME	PCS-XE TYPE FEMALE CONNECTOR (PANEL MOUNT)
DR .	DE .	CHK .	CHK .	APR	PART NO. PCS-XE()SPF()1()G1

PART NO.	NO. OF POS.	DIMENSIONS						MARKING
		A	B	C	D	E	F	
PCS-XE68SPF()1()G1	68	64.73 (2.548)	57.9 (2.280)	1.27x(34-1)=41.91 (.05) (1.65)	46.13 (1.816)	53.72 (2.115)	52.1 (2.051)	1,13,14,26
PCS-XE50SPF()1()G1	50	53.3 (2.098)	46.5 (1.831)	1.27x(25-1)=30.48 (.05) (1.20)	34.7 (1.366)	42.29 (1.665)	40.7 (1.602)	1,25,26,50
PCS-XE26SPF()1()G1	26	38.06 (1.498)	31.2 (1.228)	1.27x(13-1)=15.24 (.05) (.60)	19.46 (.766)	27.05 (1.065)	25.46 (1.002)	1,34,35,68