

## Programmable Timing Control Hub™ for Next Gen P4™ processor

### Recommended Application:

Chipset for P4 type processor with PCI-Express

### Output Features:

- 2 - 0.7V current-mode differential CPU pairs
- 1 - 0.7V current-mode differential CPU/PCI-Express selectable pair
- 6 - PCI, 33MHz
- 2 - REF, 14.318MHz
- 3 - 3V66, 66.66MHz
- 1 - 48MHz
- 1 - 24/48MHz
- 5 - PCI-Express 0.7V current mode differential pairs

### Key Specifications:

- CPU outputs cycle-cycle jitter < 85ps
- 3V66 outputs cycle-cycle jitter < 250ps
- PCI outputs cycle-cycle jitter < 500ps

### Features/Benefits:

- Programmable output frequency.
- Programmable asynchronous 3V66&PCI frequency.
- Programmable asynchronous PCI-Express frequency.
- Programmable output divider ratios.
- Programmable output skew.
- Programmable spread percentage for EMI control.
- Watchdog timer technology to reset system if system malfunctions.
- Programmable watch dog safe frequency.
- Support I2C Index read/write and block read/write operations.
- Uses external 14.318MHz reference input, external crystal load caps are required for frequency tuning.

### Functionality

| B0b4 | B0b3 | B0b2 | B0b1 | B0b0 | PCI-EX | AGP   | PCI   | CPU    |
|------|------|------|------|------|--------|-------|-------|--------|
| FS4  | FS3  | FSL2 | FSL1 | FSL0 | MHz    | MHz   | MHz   | MHz    |
| 0    | 0    | 0    | 0    | 0    | 100.00 | 66.66 | 33.33 | 266.66 |
| 0    | 0    | 0    | 0    | 1    | 100.00 | 66.66 | 33.33 | 133.33 |
| 0    | 0    | 0    | 1    | 0    | 100.00 | 66.66 | 33.33 | 200.00 |
| 0    | 0    | 0    | 1    | 1    | 100.00 | 66.66 | 33.33 | 166.66 |
| 0    | 0    | 1    | 0    | 0    | N/A    | N/A   | N/A   | N/A    |
| 0    | 0    | 1    | 0    | 1    | 100.00 | 66.66 | 33.33 | 100.00 |
| 0    | 0    | 1    | 1    | 0    | 100.00 | 66.66 | 33.33 | 400.00 |
| 0    | 0    | 1    | 1    | 1    | 100.00 | 66.66 | 33.33 | 200.00 |
| 0    | 1    | 0    | 0    | 0    | 100.00 | 66.66 | 33.33 | 100.00 |
| 0    | 1    | 0    | 0    | 1    | 100.00 | 66.66 | 33.33 | 133.33 |
| 0    | 1    | 0    | 1    | 0    | 100.00 | 66.66 | 33.33 | 200.00 |
| 0    | 1    | 0    | 1    | 1    | 100.00 | 66.66 | 33.33 | 166.66 |
| 0    | 1    | 1    | 0    | 0    | 100.00 | 66.66 | 33.33 | 100.00 |
| 0    | 1    | 1    | 0    | 1    | 100.00 | 66.66 | 33.33 | 133.33 |
| 0    | 1    | 1    | 1    | 0    | 100.00 | 66.66 | 33.33 | 200.00 |
| 0    | 1    | 1    | 1    | 1    | 100.00 | 66.66 | 33.33 | 166.66 |
| 1    | 0    | 0    | 0    | 0    | 100.00 | 66.66 | 33.33 | 266.66 |
| 1    | 0    | 0    | 0    | 1    | 100.00 | 66.66 | 33.33 | 133.33 |
| 1    | 0    | 0    | 1    | 0    | 100.00 | 66.66 | 33.33 | 200.00 |
| 1    | 0    | 0    | 1    | 1    | 100.00 | 66.66 | 33.33 | 166.66 |
| 1    | 0    | 1    | 0    | 0    | N/A    | N/A   | N/A   | N/A    |
| 1    | 0    | 1    | 0    | 1    | 100.00 | 66.66 | 33.33 | 100.00 |
| 1    | 0    | 1    | 1    | 0    | 100.00 | 66.66 | 33.33 | 400.00 |
| 1    | 0    | 1    | 1    | 1    | 100.00 | 66.66 | 33.33 | 200.00 |
| 1    | 1    | 0    | 0    | 0    | 100.00 | 66.66 | 33.33 | 266.66 |
| 1    | 1    | 0    | 0    | 1    | 100.00 | 66.66 | 33.33 | 133.33 |
| 1    | 1    | 0    | 1    | 0    | 100.00 | 66.66 | 33.33 | 200.00 |
| 1    | 1    | 0    | 1    | 1    | 100.00 | 66.66 | 33.33 | 166.66 |
| 1    | 1    | 1    | 0    | 0    | N/A    | N/A   | N/A   | N/A    |
| 1    | 1    | 1    | 0    | 1    | 100.00 | 66.66 | 33.33 | 100.00 |
| 1    | 1    | 1    | 1    | 0    | 100.00 | 66.66 | 33.33 | 400.00 |
| 1    | 1    | 1    | 1    | 1    | 100.00 | 66.66 | 33.33 | 200.00 |

### Pin Configuration

| Pin | Signal                      | Pin | Signal                   |
|-----|-----------------------------|-----|--------------------------|
| 1   | VDDA                        | 56  | GND                      |
| 2   | GND                         | 55  | IREF                     |
| 3   | VDDREF                      | 54  | CPUCLKT0                 |
| 4   | **FS <sub>0</sub> /REF0     | 53  | CPUCLKC0                 |
| 5   | FS <sub>1</sub> /REF1       | 52  | GNDCPU                   |
| 6   | X1                          | 51  | CPUCLKT1                 |
| 7   | X2                          | 50  | CPUCLKC1                 |
| 8   | GNDREF                      | 49  | VDDCPU                   |
| 9   | VttPWR_GD/PD#               | 48  | SDATA                    |
| 10  | VDDPCI                      | 47  | CPUCLKT2_ITP/PCIEXT0     |
| 11  | **FS <sub>2</sub> /PCICLK0  | 46  | CPUCLKC2_ITP/PCIEXC0     |
| 12  | **FS <sub>3</sub> /-PCICLK1 | 45  | VDDPCIEX                 |
| 13  | PCICLK2                     | 44  | PCIEXT1                  |
| 14  | PCICLK3                     | 43  | PCIEXC1                  |
| 15  | GNDPCI                      | 42  | PCIEXT2                  |
| 16  | VDDPCI                      | 41  | PCIEXC2                  |
| 17  | PCICLK4                     | 40  | GNDPCIEX                 |
| 18  | PCICLK5                     | 39  | VDDPCIEX                 |
| 19  | GNDPCI                      | 38  | PCIEXT3                  |
| 20  | *Turbo#                     | 37  | PCIEXC3                  |
| 21  | Reset#                      | 36  | PCIEXT4                  |
| 22  | VDD48                       | 35  | PCIEXC4                  |
| 23  | **Mode0/48MHz               | 34  | PCIEXT5/CPU_STOP#*       |
| 24  | *Sel24_48#/24_48MHz         | 33  | PCIEXC5/PCI_PCIEX_STOP#* |
| 25  | GND48                       | 32  | GNDPCIEX                 |
| 26  | VDD3V66                     | 31  | SCLK                     |
| 27  | **ITP_EN/3V66_2             | 30  | GND3V66                  |
| 28  | **FS4/3V66_1                | 29  | 3V66_0                   |

### 56-Pin SSOP

\*These inputs have 120K internal pull-up resistors to VDD.

\*\*These inputs have 120K internal pull-down resistors to GND.

~This output is default 2X drive strength.



**Pin Description**

| PIN # | PIN NAME            | TYPE | DESCRIPTION   |
|-------|---------------------|------|---|
| 1     | VDDA                | PWR  | 3.3V power for the PLL core.  |
| 2     | GND                 | PWR  | Ground pin.   |
| 3     | VDDREF              | PWR  | Ref, XTAL power supply, nominal 3.3V  |
| 4     | **FSL0/REF0         | I/O  | 3.3V tolerant input for CPU frequency selection. Refer to input electrical characteristics for Vil_FS and Vih_FS values. / 14.318 MHz reference   |
| 5     | FSL1/REF1           | I/O  | 3.3V tolerant input for CPU frequency selection. Refer to input electrical characteristics for Vil_FS and Vih_FS values. / 14.318 MHz reference   |
| 6     | X1                  | IN   | Crystal input, Nominally 14.318MHz.   |
| 7     | X2                  | OUT  | Crystal output, Nominally 14.318MHz   |
| 8     | GNDREF              | PWR  | Ground pin for the REF outputs.   |
| 9     | VttPWR_GD/PD#       | IN   | This 3.3V LVTTTL input is a level sensitive strobe used to determine when latch inputs are valid and are ready to be sampled. This is an active high input. / Asynchronous active low input pin used to power down the device into a low power state. |
| 10    | VDDPCI              | PWR  | Power supply for PCI clocks, nominal 3.3V   |
| 11    | **FSL2/PCICLK0      | I/O  | 3.3V tolerant input for CPU frequency selection. Refer to input electrical characteristics for Vil_FS and Vih_FS values. / 3.3V PCI clock output.   |
| 12    | **FS3/~PCICLK1      | I/O  | Frequency select latch input pin / 3.3V PCI clock output.   |
| 13    | PCICLK2             | OUT  | PCI clock output.   |
| 14    | PCICLK3             | OUT  | PCI clock output.   |
| 15    | GNDPCI              | PWR  | Ground pin for the PCI outputs  |
| 16    | VDDPCI              | PWR  | Power supply for PCI clocks, nominal 3.3V   |
| 17    | PCICLK4             | OUT  | PCI clock output.   |
| 18    | PCICLK5             | OUT  | PCI clock output.   |
| 19    | GNDPCI              | PWR  | Ground pin for the PCI outputs  |
| 20    | *Turbo#             | IN   | Real time input pin to change frequency to a pre-programmed under or over clock entries located in the Rom table.   |
| 21    | Reset#              | OUT  | Real time system reset signal for frequency gear ratio change or watchdog timer timeout. This signal is active low.   |
| 22    | VDD48               | PWR  | Power pin for the 48MHz output.3.3V   |
| 23    | **Mode0/48MHz       | I/O  | Function select pin, 1=Mobile Mode, 0=Desktop Mode / 48MHz clock output. 3.3V.  |
| 24    | *Sel24_48#/24_48MHz | I/O  | Latched select input for 24/48MHz output / 24/48MHz clock output. 1=24MHz, 0 = 48MHz.   |
| 25    | GND48               | PWR  | Ground pin for the 48MHz outputs  |
| 26    | VDD3V66             | PWR  | Power pin for the 3.3V 66MHz clocks.  |
| 27    | **ITP_EN/3V66_2     | I/O  | 3.3V 66.66MHz clock output./<br>ITP_EN: latched input to select pin functionality<br>1 = CPU_2_ITP pair<br>0 = PCI-EX0 pair   |
| 28    | **FS4/3V66_1        | I/O  | Frequency select latch input pin / 66.66MHz clock output. 3.3V  |

**Pin Description (Continued)**

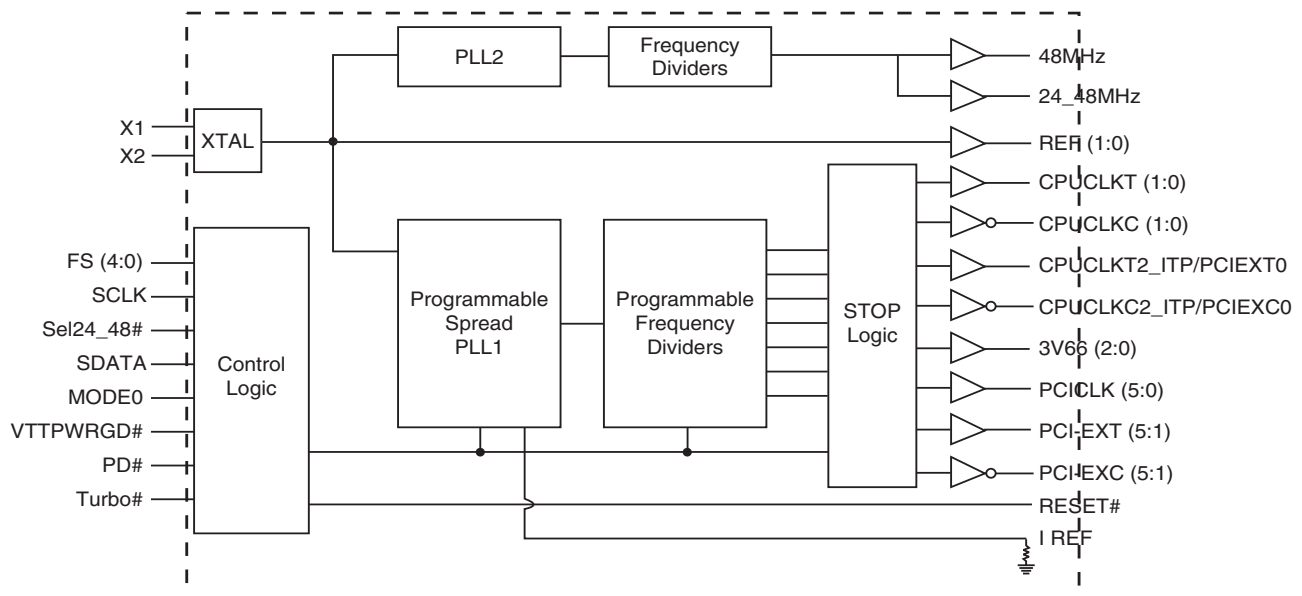
| <b>PIN #</b> | <b>PIN NAME</b>           | <b>TYPE</b> | <b>DESCRIPTION</b>  |
|--------------|---------------------------|-------------|---|
| 29           | 3V66_0                    | OUT         | 3.3V 66.66MHz clock output  |
| 30           | GND3V66                   | PWR         | Ground pin for the 3.3V 66MHz clocks  |
| 31           | SCLK                      | IN          | Clock pin of SMBus circuitry, 5V tolerant.  |
| 32           | GNDPCIEX                  | PWR         | Ground pin for the PCI-EX outputs   |
| 33           | PCIEXC5/PCI_PCIEX_STO P#* | OUT         | Complement clock of differential PCI_Express pair. / Active low signal that stops all PCI and PCIEX clocks besides the free running clocks  |
| 34           | PCIEXT5/CPU_STOP#*        | OUT         | True clock of differential PCI_Express pair./Stops all CPUCLK besides the free running clocks   |
| 35           | PCIEXC4                   | OUT         | Complement clock of differential PCI_Express pair.  |
| 36           | PCIEXT4                   | OUT         | True clock of differential PCI_Express pair.  |
| 37           | PCIEXC3                   | OUT         | Complement clock of differential PCI_Express pair.  |
| 38           | PCIEXT3                   | OUT         | True clock of differential PCI_Express pair.  |
| 39           | VDDPCIEX                  | PWR         | Power supply for PCI Express clocks, nominal 3.3V   |
| 40           | GNDPCIEX                  | PWR         | Ground pin for the PCI-EX outputs   |
| 41           | PCIEXC2                   | OUT         | Complement clock of differential PCI_Express pair.  |
| 42           | PCIEXT2                   | OUT         | True clock of differential PCI_Express pair.  |
| 43           | PCIEXC1                   | OUT         | Complement clock of differential PCI_Express pair.  |
| 44           | PCIEXT1                   | OUT         | True clock of differential PCI_Express pair.  |
| 45           | VDDPCIEX                  | PWR         | Power supply for PCI Express clocks, nominal 3.3V   |
| 46           | CPUCLKC2_ITP/PCIEXC0      | OUT         | Complementary clock of differential pair CPU outputs. These are current mode outputs. External resistors are required for voltage bias./ Complement clock of differential PCIEX pair  |
| 47           | CPUCLKT2_ITP/PCIEXT0      | OUT         | True clock of differential pair CPU outputs. These are current mode outputs. External resistors are required for voltage bias. / True clock of differential PCIEX pair  |
| 48           | SDATA                     | I/O         | Data pin for SMBus circuitry, 5V tolerant.  |
| 49           | VDDCPU                    | PWR         | Supply for CPU clocks, 3.3V nominal   |
| 50           | CPUCLKC1                  | OUT         | Complementary clock of differential pair CPU outputs. These are current mode outputs. External resistors are required for voltage bias.   |
| 51           | CPUCLKT1                  | OUT         | True clock of differential pair CPU outputs. These are current mode outputs. External resistors are required for voltage bias.  |
| 52           | GNDCPU                    | PWR         | Ground pin for the CPU outputs  |
| 53           | CPUCLKC0                  | OUT         | Complementary clock of differential pair CPU outputs. These are current mode outputs. External resistors are required for voltage bias.   |
| 54           | CPUCLKT0                  | OUT         | True clock of differential pair CPU outputs. These are current mode outputs. External resistors are required for voltage bias.  |
| 55           | IREF                      | OUT         | This pin establishes the reference current for the differential current-mode output pairs. This pin requires a fixed precision resistor tied to ground in order to establish the appropriate current. 475 ohms is the standard value. |
| 56           | GND                       | PWR         | Ground pin.   |

## General Description

ICS953002 is a 56-pin clock chip for P4 type processors with PCI-Express.

The ICS953002 is part of a whole new line of ICS clock generators and buffers called TCH™ (Timing Control Hub). This part incorporates ICS's newest clock technology which offers more robust features and functionality. Employing the use of a serially programmable I<sup>2</sup>C interface, this device can adjust the output clocks by configuring the frequency setting, the output divider ratios, selecting the ideal spread percentage, the output skew, the output strength, and enabling/disabling each individual output clock. M/N control can configure output frequency with resolution up to 0.1MHz increment.

## Block Diagram





**Table 1a. CPU PLL1 Turbo Rom**

| FS4  | FS3  | FSL2 | FSL1 | FSL0 | CPUFS4 | CPUFS3 | CPUFS2 | CPUFS1 | CPUFS0 | CPU    | PCI-EX    | AGP       | PCI       | Spreading       |
|------|------|------|------|------|--------|--------|--------|--------|--------|--------|-----------|-----------|-----------|-----------------|
| B0b4 | B0b3 | B0b2 | B0b1 | B0b0 | B1bit4 | B1bit3 | B1bit2 | B1bit1 | B1bit0 | Mhz    | (default) | (default) | (default) | %               |
| 0    | 0    | 0    | 0    | 0    | 0      | 0      | 0      | 0      | 0      | N/A    | N/A       | N/A       | N/A       | Down Sp 0-0.5 % |
| 0    | 0    | 0    | 0    | 0    | 0      | 0      | 0      | 0      | 1      | N/A    | N/A       | N/A       | N/A       | Center +/- 0.25 |
| 0    | 0    | 0    | 0    | 0    | 0      | 0      | 0      | 1      | 0      | N/A    | N/A       | N/A       | N/A       | Center +/- 0.25 |
| 0    | 0    | 0    | 0    | 0    | 0      | 0      | 0      | 1      | 1      | N/A    | N/A       | N/A       | N/A       | Center +/- 0.25 |
| 0    | 0    | 0    | 0    | 0    | 0      | 0      | 1      | 0      | 0      | N/A    | N/A       | N/A       | N/A       | Center +/- 0.25 |
| 0    | 0    | 0    | 0    | 0    | 0      | 0      | 1      | 0      | 1      | N/A    | N/A       | N/A       | N/A       | Center +/- 0.25 |
| 0    | 0    | 0    | 0    | 0    | 0      | 0      | 1      | 1      | 0      | N/A    | N/A       | N/A       | N/A       | Center +/- 0.25 |
| 0    | 0    | 0    | 0    | 0    | 0      | 0      | 1      | 1      | 1      | N/A    | N/A       | N/A       | N/A       | Center +/- 0.25 |
| 0    | 0    | 0    | 0    | 0    | 0      | 1      | 0      | 0      | 0      | 266.67 | 100.00    | 66.67     | 33.33     | Down Sp 0-0.5 % |
| 0    | 0    | 0    | 0    | 0    | 0      | 1      | 0      | 0      | 1      | 269.33 | 101.00    | 67.33     | 33.67     | Center +/- 0.25 |
| 0    | 0    | 0    | 0    | 0    | 0      | 1      | 0      | 1      | 0      | 274.67 | 103.00    | 68.67     | 34.33     | Center +/- 0.25 |
| 0    | 0    | 0    | 0    | 0    | 0      | 1      | 0      | 1      | 1      | 280.00 | 105.00    | 70.00     | 35.00     | Center +/- 0.25 |
| 0    | 0    | 0    | 0    | 0    | 0      | 1      | 1      | 0      | 0      | 285.33 | 107.00    | 71.33     | 35.67     | Center +/- 0.25 |
| 0    | 0    | 0    | 0    | 0    | 0      | 1      | 1      | 0      | 1      | 290.67 | 109.00    | 72.67     | 36.33     | Center +/- 0.25 |
| 0    | 0    | 0    | 0    | 0    | 0      | 1      | 1      | 1      | 0      | 293.33 | 110.00    | 73.33     | 36.67     | Center +/- 0.25 |
| 0    | 0    | 0    | 0    | 0    | 0      | 1      | 1      | 1      | 1      | 296.00 | 111.00    | 74.00     | 37.00     | Center +/- 0.25 |
| 0    | 0    | 0    | 0    | 0    | 1      | 0      | 0      | 0      | 0      | 222.22 | 111.11    | 66.67     | 33.33     | Down Sp 0-0.5 % |
| 0    | 0    | 0    | 0    | 0    | 1      | 0      | 0      | 0      | 1      | 224.44 | 112.22    | 67.33     | 33.67     | Center +/- 0.25 |
| 0    | 0    | 0    | 0    | 0    | 1      | 0      | 0      | 1      | 0      | 228.89 | 114.44    | 68.67     | 34.33     | Center +/- 0.25 |
| 0    | 0    | 0    | 0    | 0    | 1      | 0      | 0      | 1      | 1      | 233.33 | 116.67    | 70.00     | 35.00     | Center +/- 0.25 |
| 0    | 0    | 0    | 0    | 0    | 1      | 0      | 1      | 0      | 0      | 237.78 | 118.89    | 71.33     | 35.67     | Center +/- 0.25 |
| 0    | 0    | 0    | 0    | 0    | 1      | 0      | 1      | 0      | 1      | 242.22 | 121.11    | 72.67     | 36.33     | Center +/- 0.25 |
| 0    | 0    | 0    | 0    | 0    | 1      | 0      | 1      | 1      | 0      | 244.44 | 122.22    | 73.33     | 36.67     | Center +/- 0.25 |
| 0    | 0    | 0    | 0    | 0    | 1      | 0      | 1      | 1      | 1      | 246.66 | 123.33    | 74.00     | 37.00     | Center +/- 0.25 |
| 0    | 0    | 0    | 0    | 0    | 1      | 1      | 0      | 0      | 0      | 266.67 | 100.00    | 66.67     | 33.33     | Down Sp 0-0.5 % |
| 0    | 0    | 0    | 0    | 0    | 1      | 1      | 0      | 0      | 1      | 269.33 | 101.00    | 67.33     | 33.67     | Center +/- 0.25 |
| 0    | 0    | 0    | 0    | 0    | 1      | 1      | 0      | 1      | 0      | 274.67 | 103.00    | 68.67     | 34.33     | Center +/- 0.25 |
| 0    | 0    | 0    | 0    | 0    | 1      | 1      | 0      | 1      | 1      | 280.00 | 105.00    | 70.00     | 35.00     | Center +/- 0.25 |
| 0    | 0    | 0    | 0    | 0    | 1      | 1      | 1      | 0      | 0      | 285.33 | 107.00    | 71.33     | 35.67     | Center +/- 0.25 |
| 0    | 0    | 0    | 0    | 0    | 1      | 1      | 1      | 0      | 1      | 290.67 | 109.00    | 72.67     | 36.33     | Center +/- 0.25 |
| 0    | 0    | 0    | 0    | 0    | 1      | 1      | 1      | 1      | 0      | 293.33 | 110.00    | 73.33     | 36.67     | Center +/- 0.25 |
| 0    | 0    | 0    | 0    | 0    | 1      | 1      | 1      | 1      | 1      | 296.00 | 111.00    | 74.00     | 37.00     | Center +/- 0.25 |

**Table 1a. CPU PLL1 Turbo Rom (continued)**

| FS4  | FS3  | FSL2 | FSL1 | FSL0 | CPUFS4 | CPUFS3 | CPUFS2 | CPUFS1 | CPUFS0 | CPU    | PCI-EX    | AGP       | PCI       | Spreading       |
|------|------|------|------|------|--------|--------|--------|--------|--------|--------|-----------|-----------|-----------|-----------------|
| B0b4 | B0b3 | B0b2 | B0b1 | B0b0 | B1bit4 | B1bit3 | B1bit2 | B1bit1 | B1bit0 | Mhz    | (default) | (default) | (default) | %               |
| 0    | 0    | 0    | 0    | 1    | 0      | 0      | 0      | 0      | 0      | N/A    | N/A       | N/A       | N/A       | Down Sp 0-0.5 % |
| 0    | 0    | 0    | 0    | 1    | 0      | 0      | 0      | 0      | 1      | N/A    | N/A       | N/A       | N/A       | Center +/- 0.25 |
| 0    | 0    | 0    | 0    | 1    | 0      | 0      | 0      | 1      | 0      | N/A    | N/A       | N/A       | N/A       | Center +/- 0.25 |
| 0    | 0    | 0    | 0    | 1    | 0      | 0      | 0      | 1      | 1      | N/A    | N/A       | N/A       | N/A       | Center +/- 0.25 |
| 0    | 0    | 0    | 0    | 1    | 0      | 0      | 1      | 0      | 0      | N/A    | N/A       | N/A       | N/A       | Center +/- 0.25 |
| 0    | 0    | 0    | 0    | 1    | 0      | 0      | 1      | 0      | 1      | N/A    | N/A       | N/A       | N/A       | Center +/- 0.25 |
| 0    | 0    | 0    | 0    | 1    | 0      | 0      | 1      | 1      | 0      | N/A    | N/A       | N/A       | N/A       | Center +/- 0.25 |
| 0    | 0    | 0    | 0    | 1    | 0      | 0      | 1      | 1      | 1      | N/A    | N/A       | N/A       | N/A       | Center +/- 0.25 |
| 0    | 0    | 0    | 0    | 1    | 0      | 1      | 0      | 0      | 0      | 133.33 | 100.00    | 66.67     | 33.33     | Down Sp 0-0.5 % |
| 0    | 0    | 0    | 0    | 1    | 0      | 1      | 0      | 0      | 1      | 134.67 | 101.00    | 67.33     | 33.67     | Center +/- 0.25 |
| 0    | 0    | 0    | 0    | 1    | 0      | 1      | 0      | 1      | 0      | 137.33 | 103.00    | 68.67     | 34.33     | Center +/- 0.25 |
| 0    | 0    | 0    | 0    | 1    | 0      | 1      | 0      | 1      | 1      | 140.00 | 105.00    | 70.00     | 35.00     | Center +/- 0.25 |
| 0    | 0    | 0    | 0    | 1    | 0      | 1      | 1      | 0      | 0      | 142.67 | 107.00    | 71.33     | 35.67     | Center +/- 0.25 |
| 0    | 0    | 0    | 0    | 1    | 0      | 1      | 1      | 0      | 1      | 145.33 | 109.00    | 72.67     | 36.33     | Center +/- 0.25 |
| 0    | 0    | 0    | 0    | 1    | 0      | 1      | 1      | 1      | 0      | 146.67 | 110.00    | 73.33     | 36.67     | Center +/- 0.25 |
| 0    | 0    | 0    | 0    | 1    | 0      | 1      | 1      | 1      | 1      | 148.00 | 111.00    | 74.00     | 37.00     | Center +/- 0.25 |
| 0    | 0    | 0    | 0    | 1    | 1      | 0      | 0      | 0      | 0      | 111.11 | 111.11    | 66.67     | 33.33     | Down Sp 0-0.5 % |
| 0    | 0    | 0    | 0    | 1    | 1      | 0      | 0      | 0      | 1      | 112.22 | 112.22    | 67.33     | 33.67     | Center +/- 0.25 |
| 0    | 0    | 0    | 0    | 1    | 1      | 0      | 0      | 1      | 0      | 114.44 | 114.44    | 68.67     | 34.33     | Center +/- 0.25 |
| 0    | 0    | 0    | 0    | 1    | 1      | 0      | 0      | 1      | 1      | 116.67 | 116.67    | 70.00     | 35.00     | Center +/- 0.25 |
| 0    | 0    | 0    | 0    | 1    | 1      | 0      | 1      | 0      | 0      | 118.89 | 118.89    | 71.33     | 35.67     | Center +/- 0.25 |
| 0    | 0    | 0    | 0    | 1    | 1      | 0      | 1      | 0      | 1      | 121.11 | 121.11    | 72.67     | 36.33     | Center +/- 0.25 |
| 0    | 0    | 0    | 0    | 1    | 1      | 0      | 1      | 1      | 0      | 122.22 | 122.22    | 73.33     | 36.67     | Center +/- 0.25 |
| 0    | 0    | 0    | 0    | 1    | 1      | 0      | 1      | 1      | 1      | 123.33 | 123.33    | 74.00     | 37.00     | Center +/- 0.25 |
| 0    | 0    | 0    | 0    | 1    | 1      | 1      | 0      | 0      | 0      | 133.33 | 100.00    | 66.67     | 33.33     | Down Sp 0-0.5 % |
| 0    | 0    | 0    | 0    | 1    | 1      | 1      | 0      | 0      | 1      | 134.67 | 101.00    | 67.33     | 33.67     | Center +/- 0.25 |
| 0    | 0    | 0    | 0    | 1    | 1      | 1      | 0      | 1      | 0      | 137.33 | 103.00    | 68.67     | 34.33     | Center +/- 0.25 |
| 0    | 0    | 0    | 0    | 1    | 1      | 1      | 0      | 1      | 1      | 140.00 | 105.00    | 70.00     | 35.00     | Center +/- 0.25 |
| 0    | 0    | 0    | 0    | 1    | 1      | 1      | 1      | 0      | 0      | 142.67 | 107.00    | 71.33     | 35.67     | Center +/- 0.25 |
| 0    | 0    | 0    | 0    | 1    | 1      | 1      | 1      | 0      | 1      | 145.33 | 109.00    | 72.67     | 36.33     | Center +/- 0.25 |
| 0    | 0    | 0    | 0    | 1    | 1      | 1      | 1      | 1      | 0      | 146.67 | 110.00    | 73.33     | 36.67     | Center +/- 0.25 |
| 0    | 0    | 0    | 0    | 1    | 1      | 1      | 1      | 1      | 1      | 148.00 | 111.00    | 74.00     | 37.00     | Center +/- 0.25 |



**Table 1a. CPU PLL1 Turbo Rom (continued)**

| FS4  | FS3  | FSL2 | FSL1 | FSL0 | CPUFS4 | CPUFS3 | CPUFS2 | CPUFS1 | CPUFS0 | CPU    | PCI-EX    | AGP       | PCI       | Spreading       |
|------|------|------|------|------|--------|--------|--------|--------|--------|--------|-----------|-----------|-----------|-----------------|
| B0b4 | B0b3 | B0b2 | B0b1 | B0b0 | B1bit4 | B1bit3 | B1bit2 | B1bit1 | B1bit0 | Mhz    | (default) | (default) | (default) | %               |
| 0    | 0    | 0    | 1    | 0    | 0      | 0      | 0      | 0      | 0      | N/A    | N/A       | N/A       | N/A       | Down Sp 0-0.5 % |
| 0    | 0    | 0    | 1    | 0    | 0      | 0      | 0      | 0      | 1      | N/A    | N/A       | N/A       | N/A       | Center +/- 0.25 |
| 0    | 0    | 0    | 1    | 0    | 0      | 0      | 0      | 1      | 0      | N/A    | N/A       | N/A       | N/A       | Center +/- 0.25 |
| 0    | 0    | 0    | 1    | 0    | 0      | 0      | 0      | 1      | 1      | N/A    | N/A       | N/A       | N/A       | Center +/- 0.25 |
| 0    | 0    | 0    | 1    | 0    | 0      | 0      | 1      | 0      | 0      | N/A    | N/A       | N/A       | N/A       | Center +/- 0.25 |
| 0    | 0    | 0    | 1    | 0    | 0      | 0      | 1      | 1      | 0      | N/A    | N/A       | N/A       | N/A       | Center +/- 0.25 |
| 0    | 0    | 0    | 1    | 0    | 0      | 0      | 1      | 1      | 1      | N/A    | N/A       | N/A       | N/A       | Center +/- 0.25 |
| 0    | 0    | 0    | 1    | 0    | 0      | 1      | 0      | 0      | 0      | 200.00 | 100.00    | 66.67     | 33.33     | Down Sp 0-0.5 % |
| 0    | 0    | 0    | 1    | 0    | 0      | 1      | 0      | 0      | 1      | 202.00 | 101.00    | 67.33     | 33.67     | Center +/- 0.25 |
| 0    | 0    | 0    | 1    | 0    | 0      | 1      | 0      | 1      | 0      | 206.00 | 103.00    | 68.67     | 34.33     | Center +/- 0.25 |
| 0    | 0    | 0    | 1    | 0    | 0      | 1      | 0      | 1      | 1      | 210.00 | 105.00    | 70.00     | 35.00     | Center +/- 0.25 |
| 0    | 0    | 0    | 1    | 0    | 0      | 1      | 1      | 0      | 0      | 214.00 | 107.00    | 71.33     | 35.67     | Center +/- 0.25 |
| 0    | 0    | 0    | 1    | 0    | 0      | 1      | 1      | 0      | 1      | 218.00 | 109.00    | 72.67     | 36.33     | Center +/- 0.25 |
| 0    | 0    | 0    | 1    | 0    | 0      | 1      | 1      | 1      | 0      | 220.00 | 110.00    | 73.33     | 36.67     | Center +/- 0.25 |
| 0    | 0    | 0    | 1    | 0    | 0      | 1      | 1      | 1      | 1      | 222.00 | 111.00    | 74.00     | 37.00     | Center +/- 0.25 |
| 0    | 0    | 0    | 1    | 0    | 1      | 0      | 0      | 0      | 0      | 166.67 | 111.11    | 66.67     | 33.33     | Down Sp 0-0.5 % |
| 0    | 0    | 0    | 1    | 0    | 1      | 0      | 0      | 0      | 1      | 168.33 | 112.22    | 67.33     | 33.67     | Center +/- 0.25 |
| 0    | 0    | 0    | 1    | 0    | 1      | 0      | 0      | 1      | 0      | 171.66 | 114.44    | 68.67     | 34.33     | Center +/- 0.25 |
| 0    | 0    | 0    | 1    | 0    | 1      | 0      | 0      | 1      | 1      | 175.00 | 116.67    | 70.00     | 35.00     | Center +/- 0.25 |
| 0    | 0    | 0    | 1    | 0    | 1      | 0      | 1      | 0      | 0      | 178.33 | 118.89    | 71.33     | 35.67     | Center +/- 0.25 |
| 0    | 0    | 0    | 1    | 0    | 1      | 0      | 1      | 0      | 1      | 181.66 | 121.11    | 72.67     | 36.33     | Center +/- 0.25 |
| 0    | 0    | 0    | 1    | 0    | 1      | 0      | 1      | 1      | 0      | 183.33 | 122.22    | 73.33     | 36.67     | Center +/- 0.25 |
| 0    | 0    | 0    | 1    | 0    | 1      | 0      | 1      | 1      | 1      | 185.00 | 123.33    | 74.00     | 37.00     | Center +/- 0.25 |
| 0    | 0    | 0    | 1    | 0    | 1      | 1      | 0      | 0      | 0      | 200.00 | 100.00    | 66.67     | 33.33     | Down Sp 0-0.5 % |
| 0    | 0    | 0    | 1    | 0    | 1      | 1      | 0      | 0      | 1      | 202.00 | 101.00    | 67.33     | 33.67     | Center +/- 0.25 |
| 0    | 0    | 0    | 1    | 0    | 1      | 1      | 0      | 1      | 0      | 206.00 | 103.00    | 68.67     | 34.33     | Center +/- 0.25 |
| 0    | 0    | 0    | 1    | 0    | 1      | 1      | 0      | 1      | 1      | 210.00 | 105.00    | 70.00     | 35.00     | Center +/- 0.25 |
| 0    | 0    | 0    | 1    | 0    | 1      | 1      | 1      | 0      | 0      | 214.00 | 107.00    | 71.33     | 35.67     | Center +/- 0.25 |
| 0    | 0    | 0    | 1    | 0    | 1      | 1      | 1      | 0      | 1      | 218.00 | 109.00    | 72.67     | 36.33     | Center +/- 0.25 |
| 0    | 0    | 0    | 1    | 0    | 1      | 1      | 1      | 1      | 0      | 220.00 | 110.00    | 73.33     | 36.67     | Center +/- 0.25 |
| 0    | 0    | 0    | 1    | 0    | 1      | 1      | 1      | 1      | 1      | 222.00 | 111.00    | 74.00     | 37.00     | Center +/- 0.25 |



Table 1a. CPU PLL1 Turbo Rom (continued)

| FS4  | FS3  | FSL2 | FSL1 | FSL0 | CPUFS4 | CPUFS3 | CPUFS2 | CPUFS1 | CPUFS0 | CPU    | PCI-EX    | AGP       | PCI       | Spreading       |
|------|------|------|------|------|--------|--------|--------|--------|--------|--------|-----------|-----------|-----------|-----------------|
| B0b4 | B0b3 | B0b2 | B0b1 | B0b0 | B1bit4 | B1bit3 | B1bit2 | B1bit1 | B1bit0 | Mhz    | (default) | (default) | (default) | %               |
| 0    | 0    | 0    | 1    | 1    | 0      | 0      | 0      | 0      | 0      | N/A    | N/A       | N/A       | N/A       | Down Sp 0-0.5 % |
| 0    | 0    | 0    | 1    | 1    | 0      | 0      | 0      | 0      | 1      | N/A    | N/A       | N/A       | N/A       | Center +/- 0.25 |
| 0    | 0    | 0    | 1    | 1    | 0      | 0      | 0      | 1      | 0      | N/A    | N/A       | N/A       | N/A       | Center +/- 0.25 |
| 0    | 0    | 0    | 1    | 1    | 0      | 0      | 0      | 1      | 1      | N/A    | N/A       | N/A       | N/A       | Center +/- 0.25 |
| 0    | 0    | 0    | 1    | 1    | 0      | 0      | 1      | 0      | 0      | N/A    | N/A       | N/A       | N/A       | Center +/- 0.25 |
| 0    | 0    | 0    | 1    | 1    | 0      | 0      | 1      | 0      | 1      | N/A    | N/A       | N/A       | N/A       | Center +/- 0.25 |
| 0    | 0    | 0    | 1    | 1    | 0      | 0      | 1      | 1      | 0      | N/A    | N/A       | N/A       | N/A       | Center +/- 0.25 |
| 0    | 0    | 0    | 1    | 1    | 0      | 0      | 1      | 1      | 1      | N/A    | N/A       | N/A       | N/A       | Center +/- 0.25 |
| 0    | 0    | 0    | 1    | 1    | 0      | 1      | 0      | 0      | 0      | 200.00 | 100.00    | 66.67     | 33.33     | Down Sp 0-0.5 % |
| 0    | 0    | 0    | 1    | 1    | 0      | 1      | 0      | 0      | 1      | 202.00 | 101.00    | 67.33     | 33.67     | Center +/- 0.25 |
| 0    | 0    | 0    | 1    | 1    | 0      | 1      | 0      | 1      | 0      | 206.00 | 103.00    | 68.67     | 34.33     | Center +/- 0.25 |
| 0    | 0    | 0    | 1    | 1    | 0      | 1      | 0      | 1      | 1      | 210.00 | 105.00    | 70.00     | 35.00     | Center +/- 0.25 |
| 0    | 0    | 0    | 1    | 1    | 0      | 1      | 1      | 0      | 0      | 214.00 | 107.00    | 71.33     | 35.67     | Center +/- 0.25 |
| 0    | 0    | 0    | 1    | 1    | 0      | 1      | 1      | 0      | 1      | 218.00 | 109.00    | 72.67     | 36.33     | Center +/- 0.25 |
| 0    | 0    | 0    | 1    | 1    | 0      | 1      | 1      | 1      | 0      | 220.00 | 110.00    | 73.33     | 36.67     | Center +/- 0.25 |
| 0    | 0    | 0    | 1    | 1    | 0      | 1      | 1      | 1      | 1      | 222.00 | 111.00    | 74.00     | 37.00     | Center +/- 0.25 |
| 0    | 0    | 0    | 1    | 1    | 1      | 0      | 0      | 0      | 0      | 166.67 | 111.11    | 66.67     | 33.33     | Down Sp 0-0.5 % |
| 0    | 0    | 0    | 1    | 1    | 1      | 0      | 0      | 0      | 1      | 168.33 | 112.22    | 67.33     | 33.67     | Center +/- 0.25 |
| 0    | 0    | 0    | 1    | 1    | 1      | 0      | 0      | 1      | 0      | 171.66 | 114.44    | 68.67     | 34.33     | Center +/- 0.25 |
| 0    | 0    | 0    | 1    | 1    | 1      | 0      | 0      | 1      | 1      | 175.00 | 116.67    | 70.00     | 35.00     | Center +/- 0.25 |
| 0    | 0    | 0    | 1    | 1    | 1      | 0      | 1      | 0      | 0      | 178.33 | 118.89    | 71.33     | 35.67     | Center +/- 0.25 |
| 0    | 0    | 0    | 1    | 1    | 1      | 0      | 1      | 0      | 1      | 181.66 | 121.11    | 72.67     | 36.33     | Center +/- 0.25 |
| 0    | 0    | 0    | 1    | 1    | 1      | 0      | 1      | 1      | 0      | 183.33 | 122.22    | 73.33     | 36.67     | Center +/- 0.25 |
| 0    | 0    | 0    | 1    | 1    | 1      | 0      | 1      | 1      | 1      | 185.00 | 123.33    | 74.00     | 37.00     | Center +/- 0.25 |
| 0    | 0    | 0    | 1    | 1    | 1      | 1      | 0      | 0      | 0      | 200.00 | 100.00    | 66.67     | 33.33     | Down Sp 0-0.5 % |
| 0    | 0    | 0    | 1    | 1    | 1      | 1      | 0      | 0      | 1      | 202.00 | 101.00    | 67.33     | 33.67     | Center +/- 0.25 |
| 0    | 0    | 0    | 1    | 1    | 1      | 1      | 0      | 1      | 0      | 206.00 | 103.00    | 68.67     | 34.33     | Center +/- 0.25 |
| 0    | 0    | 0    | 1    | 1    | 1      | 1      | 0      | 1      | 1      | 210.00 | 105.00    | 70.00     | 35.00     | Center +/- 0.25 |
| 0    | 0    | 0    | 1    | 1    | 1      | 1      | 1      | 0      | 0      | 214.00 | 107.00    | 71.33     | 35.67     | Center +/- 0.25 |
| 0    | 0    | 0    | 1    | 1    | 1      | 1      | 1      | 0      | 1      | 218.00 | 109.00    | 72.67     | 36.33     | Center +/- 0.25 |
| 0    | 0    | 0    | 1    | 1    | 1      | 1      | 1      | 1      | 0      | 220.00 | 110.00    | 73.33     | 36.67     | Center +/- 0.25 |
| 0    | 0    | 0    | 1    | 1    | 1      | 1      | 1      | 1      | 1      | 222.00 | 111.00    | 74.00     | 37.00     | Center +/- 0.25 |





Table 1a. CPU PLL1 Turbo Rom (continued)

| FS4  | FS3  | FSL2 | FSL1 | FSL0 | CPUFS4 | CPUFS3 | CPUFS2 | CPUFS1 | CPUFS0 | CPU    | PCI-EX    | AGP       | PCI       | Spreading       |
|------|------|------|------|------|--------|--------|--------|--------|--------|--------|-----------|-----------|-----------|-----------------|
| B0b4 | B0b3 | B0b2 | B0b1 | B0b0 | B1bit4 | B1bit3 | B1bit2 | B1bit1 | B1bit0 | Mhz    | (default) | (default) | (default) | %               |
| 0    | 0    | 1    | 0    | 0    | 0      | 0      | 0      | 0      | 0      | N/A    | N/A       | N/A       | N/A       | Down Sp 0-0.5 % |
| 0    | 0    | 1    | 0    | 0    | 0      | 0      | 0      | 0      | 1      | N/A    | N/A       | N/A       | N/A       | Center +/- 0.25 |
| 0    | 0    | 1    | 0    | 0    | 0      | 0      | 0      | 1      | 0      | N/A    | N/A       | N/A       | N/A       | Center +/- 0.25 |
| 0    | 0    | 1    | 0    | 0    | 0      | 0      | 0      | 1      | 1      | N/A    | N/A       | N/A       | N/A       | Center +/- 0.25 |
| 0    | 0    | 1    | 0    | 0    | 0      | 0      | 1      | 0      | 0      | N/A    | N/A       | N/A       | N/A       | Center +/- 0.25 |
| 0    | 0    | 1    | 0    | 0    | 0      | 0      | 1      | 1      | 0      | N/A    | N/A       | N/A       | N/A       | Center +/- 0.25 |
| 0    | 0    | 1    | 0    | 0    | 0      | 0      | 1      | 1      | 1      | N/A    | N/A       | N/A       | N/A       | Center +/- 0.25 |
| 0    | 0    | 1    | 0    | 0    | 0      | 1      | 0      | 0      | 0      | 266.67 | 100.00    | 66.67     | 33.33     | Down Sp 0-0.5 % |
| 0    | 0    | 1    | 0    | 0    | 0      | 1      | 0      | 0      | 1      | 269.33 | 101.00    | 67.33     | 33.67     | Center +/- 0.25 |
| 0    | 0    | 1    | 0    | 0    | 0      | 1      | 0      | 1      | 0      | 274.67 | 103.00    | 68.67     | 34.33     | Center +/- 0.25 |
| 0    | 0    | 1    | 0    | 0    | 0      | 1      | 0      | 1      | 1      | 280.00 | 105.00    | 70.00     | 35.00     | Center +/- 0.25 |
| 0    | 0    | 1    | 0    | 0    | 0      | 1      | 1      | 0      | 0      | 285.33 | 107.00    | 71.33     | 35.67     | Center +/- 0.25 |
| 0    | 0    | 1    | 0    | 0    | 0      | 1      | 1      | 0      | 1      | 290.67 | 109.00    | 72.67     | 36.33     | Center +/- 0.25 |
| 0    | 0    | 1    | 0    | 0    | 0      | 1      | 1      | 1      | 0      | 293.33 | 110.00    | 73.33     | 36.67     | Center +/- 0.25 |
| 0    | 0    | 1    | 0    | 0    | 0      | 1      | 1      | 1      | 1      | 296.00 | 111.00    | 74.00     | 37.00     | Center +/- 0.25 |
| 0    | 0    | 1    | 0    | 0    | 1      | 0      | 0      | 0      | 0      | 222.22 | 111.11    | 66.67     | 33.33     | Down Sp 0-0.5 % |
| 0    | 0    | 1    | 0    | 0    | 1      | 0      | 0      | 0      | 1      | 224.44 | 112.22    | 67.33     | 33.67     | Center +/- 0.25 |
| 0    | 0    | 1    | 0    | 0    | 1      | 0      | 0      | 1      | 0      | 228.89 | 114.44    | 68.67     | 34.33     | Center +/- 0.25 |
| 0    | 0    | 1    | 0    | 0    | 1      | 0      | 0      | 1      | 1      | 233.33 | 116.67    | 70.00     | 35.00     | Center +/- 0.25 |
| 0    | 0    | 1    | 0    | 0    | 1      | 0      | 1      | 0      | 0      | 237.78 | 118.89    | 71.33     | 35.67     | Center +/- 0.25 |
| 0    | 0    | 1    | 0    | 0    | 1      | 0      | 1      | 0      | 1      | 242.22 | 121.11    | 72.67     | 36.33     | Center +/- 0.25 |
| 0    | 0    | 1    | 0    | 0    | 1      | 0      | 1      | 1      | 0      | 244.44 | 122.22    | 73.33     | 36.67     | Center +/- 0.25 |
| 0    | 0    | 1    | 0    | 0    | 1      | 0      | 1      | 1      | 1      | 246.66 | 123.33    | 74.00     | 37.00     | Center +/- 0.25 |
| 0    | 0    | 1    | 0    | 0    | 1      | 1      | 0      | 0      | 0      | 266.67 | 100.00    | 66.67     | 33.33     | Down Sp 0-0.5 % |
| 0    | 0    | 1    | 0    | 0    | 1      | 1      | 0      | 0      | 1      | 269.33 | 101.00    | 67.33     | 33.67     | Center +/- 0.25 |
| 0    | 0    | 1    | 0    | 0    | 1      | 1      | 0      | 1      | 0      | 274.67 | 103.00    | 68.67     | 34.33     | Center +/- 0.25 |
| 0    | 0    | 1    | 0    | 0    | 1      | 1      | 0      | 1      | 1      | 280.00 | 105.00    | 70.00     | 35.00     | Center +/- 0.25 |
| 0    | 0    | 1    | 0    | 0    | 1      | 1      | 1      | 0      | 0      | 285.33 | 107.00    | 71.33     | 35.67     | Center +/- 0.25 |
| 0    | 0    | 1    | 0    | 0    | 1      | 1      | 1      | 0      | 1      | 290.67 | 109.00    | 72.67     | 36.33     | Center +/- 0.25 |
| 0    | 0    | 1    | 0    | 0    | 1      | 1      | 1      | 1      | 0      | 293.33 | 110.00    | 73.33     | 36.67     | Center +/- 0.25 |
| 0    | 0    | 1    | 0    | 0    | 1      | 1      | 1      | 1      | 1      | 296.00 | 111.00    | 74.00     | 37.00     | Center +/- 0.25 |



Table 1a. CPU PLL1 Turbo Rom (continued)

| FS4<br>B0b4 | FS3<br>B0b3 | FSL2<br>B0b2 | FSL1<br>B0b1 | FSL0<br>B0b0 | CPUFS4<br>B1bit4 | CPUFS3<br>B1bit3 | CPUFS2<br>B1bit2 | CPUFS1<br>B1bit1 | CPUFS0<br>B1bit0 | CPU<br>Mhz | PCI-EX<br>(default) | AGP<br>(default) | PCI<br>(default) | Spreading<br>%  |
|-------------|-------------|--------------|--------------|--------------|------------------|------------------|------------------|------------------|------------------|------------|---------------------|------------------|------------------|-----------------|
| 0           | 0           | 1            | 0            | 1            | 0                | 0                | 0                | 0                | 0                | N/A        | N/A                 | N/A              | N/A              | Down Sp 0-0.5 % |
| 0           | 0           | 1            | 0            | 1            | 0                | 0                | 0                | 0                | 1                | N/A        | N/A                 | N/A              | N/A              | Center +/- 0.25 |
| 0           | 0           | 1            | 0            | 1            | 0                | 0                | 0                | 1                | 0                | N/A        | N/A                 | N/A              | N/A              | Center +/- 0.25 |
| 0           | 0           | 1            | 0            | 1            | 0                | 0                | 0                | 1                | 1                | N/A        | N/A                 | N/A              | N/A              | Center +/- 0.25 |
| 0           | 0           | 1            | 0            | 1            | 0                | 0                | 1                | 0                | 0                | N/A        | N/A                 | N/A              | N/A              | Center +/- 0.25 |
| 0           | 0           | 1            | 0            | 1            | 0                | 0                | 1                | 0                | 1                | N/A        | N/A                 | N/A              | N/A              | Center +/- 0.25 |
| 0           | 0           | 1            | 0            | 1            | 0                | 0                | 1                | 1                | 1                | N/A        | N/A                 | N/A              | N/A              | Center +/- 0.25 |
| 0           | 0           | 1            | 0            | 1            | 0                | 1                | 0                | 0                | 0                | 100.00     | 100.00              | 66.67            | 33.33            | Down Sp 0-0.5 % |
| 0           | 0           | 1            | 0            | 1            | 0                | 1                | 0                | 0                | 1                | 101.00     | 101.00              | 67.33            | 33.67            | Center +/- 0.25 |
| 0           | 0           | 1            | 0            | 1            | 0                | 1                | 0                | 1                | 0                | 103.00     | 103.00              | 68.67            | 34.33            | Center +/- 0.25 |
| 0           | 0           | 1            | 0            | 1            | 0                | 1                | 0                | 1                | 1                | 105.00     | 105.00              | 70.00            | 35.00            | Center +/- 0.25 |
| 0           | 0           | 1            | 0            | 1            | 0                | 1                | 1                | 0                | 0                | 107.00     | 107.00              | 71.33            | 35.67            | Center +/- 0.25 |
| 0           | 0           | 1            | 0            | 1            | 0                | 1                | 1                | 0                | 1                | 109.00     | 109.00              | 72.67            | 36.33            | Center +/- 0.25 |
| 0           | 0           | 1            | 0            | 1            | 0                | 1                | 1                | 1                | 0                | 110.00     | 110.00              | 73.33            | 36.67            | Center +/- 0.25 |
| 0           | 0           | 1            | 0            | 1            | 0                | 1                | 1                | 1                | 1                | 111.00     | 111.00              | 74.00            | 37.00            | Center +/- 0.25 |
| 0           | 0           | 1            | 0            | 1            | 1                | 0                | 0                | 0                | 0                | 83.33      | 111.11              | 66.67            | 33.33            | Down Sp 0-0.5 % |
| 0           | 0           | 1            | 0            | 1            | 1                | 0                | 0                | 0                | 1                | 84.17      | 112.22              | 67.33            | 33.67            | Center +/- 0.25 |
| 0           | 0           | 1            | 0            | 1            | 1                | 0                | 0                | 1                | 0                | 85.83      | 114.44              | 68.67            | 34.33            | Center +/- 0.25 |
| 0           | 0           | 1            | 0            | 1            | 1                | 0                | 0                | 1                | 1                | 87.50      | 116.67              | 70.00            | 35.00            | Center +/- 0.25 |
| 0           | 0           | 1            | 0            | 1            | 1                | 0                | 1                | 0                | 0                | 89.17      | 118.89              | 71.33            | 35.67            | Center +/- 0.25 |
| 0           | 0           | 1            | 0            | 1            | 1                | 0                | 1                | 0                | 1                | 90.83      | 121.11              | 72.67            | 36.33            | Center +/- 0.25 |
| 0           | 0           | 1            | 0            | 1            | 1                | 0                | 1                | 1                | 0                | 91.67      | 122.22              | 73.33            | 36.67            | Center +/- 0.25 |
| 0           | 0           | 1            | 0            | 1            | 1                | 0                | 1                | 1                | 1                | 92.50      | 123.33              | 74.00            | 37.00            | Center +/- 0.25 |
| 0           | 0           | 1            | 0            | 1            | 1                | 1                | 0                | 0                | 0                | 100.00     | 100.00              | 66.67            | 33.33            | Down Sp 0-0.5 % |
| 0           | 0           | 1            | 0            | 1            | 1                | 1                | 0                | 0                | 1                | 101.00     | 101.00              | 67.33            | 33.67            | Center +/- 0.25 |
| 0           | 0           | 1            | 0            | 1            | 1                | 1                | 0                | 1                | 0                | 103.00     | 103.00              | 68.67            | 34.33            | Center +/- 0.25 |
| 0           | 0           | 1            | 0            | 1            | 1                | 1                | 0                | 1                | 1                | 105.00     | 105.00              | 70.00            | 35.00            | Center +/- 0.25 |
| 0           | 0           | 1            | 0            | 1            | 1                | 1                | 1                | 0                | 0                | 107.00     | 107.00              | 71.33            | 35.67            | Center +/- 0.25 |
| 0           | 0           | 1            | 0            | 1            | 1                | 1                | 1                | 0                | 1                | 109.00     | 109.00              | 72.67            | 36.33            | Center +/- 0.25 |
| 0           | 0           | 1            | 0            | 1            | 1                | 1                | 1                | 1                | 0                | 110.00     | 110.00              | 73.33            | 36.67            | Center +/- 0.25 |
| 0           | 0           | 1            | 0            | 1            | 1                | 1                | 1                | 1                | 1                | 111.00     | 111.00              | 74.00            | 37.00            | Center +/- 0.25 |



Table 1a. CPU PLL1 Turbo Rom (continued)

| FS4  | FS3  | FSL2 | FSL1 | FSL0 | CPUFS4 | CPUFS3 | CPUFS2 | CPUFS1 | CPUFS0 | CPU    | PCI-EX    | AGP       | PCI       | Spreading       |
|------|------|------|------|------|--------|--------|--------|--------|--------|--------|-----------|-----------|-----------|-----------------|
| B0b4 | B0b3 | B0b2 | B0b1 | B0b0 | B1bit4 | B1bit3 | B1bit2 | B1bit1 | B1bit0 | Mhz    | (default) | (default) | (default) | %               |
| 0    | 0    | 1    | 1    | 0    | 0      | 0      | 0      | 0      | 0      | N/A    | N/A       | N/A       | N/A       | Down Sp 0-0.5 % |
| 0    | 0    | 1    | 1    | 0    | 0      | 0      | 0      | 0      | 1      | N/A    | N/A       | N/A       | N/A       | Center +/- 0.25 |
| 0    | 0    | 1    | 1    | 0    | 0      | 0      | 0      | 1      | 0      | N/A    | N/A       | N/A       | N/A       | Center +/- 0.25 |
| 0    | 0    | 1    | 1    | 0    | 0      | 0      | 0      | 1      | 1      | N/A    | N/A       | N/A       | N/A       | Center +/- 0.25 |
| 0    | 0    | 1    | 1    | 0    | 0      | 0      | 1      | 0      | 0      | N/A    | N/A       | N/A       | N/A       | Center +/- 0.25 |
| 0    | 0    | 1    | 1    | 0    | 0      | 0      | 1      | 0      | 1      | N/A    | N/A       | N/A       | N/A       | Center +/- 0.25 |
| 0    | 0    | 1    | 1    | 0    | 0      | 0      | 1      | 1      | 0      | N/A    | N/A       | N/A       | N/A       | Center +/- 0.25 |
| 0    | 0    | 1    | 1    | 0    | 0      | 0      | 1      | 1      | 1      | N/A    | N/A       | N/A       | N/A       | Center +/- 0.25 |
| 0    | 0    | 1    | 1    | 0    | 0      | 1      | 0      | 0      | 0      | 400.00 | 100.00    | 66.67     | 33.33     | Down Sp 0-0.5 % |
| 0    | 0    | 1    | 1    | 0    | 0      | 1      | 0      | 0      | 1      | 404.00 | 101.00    | 67.33     | 33.67     | Center +/- 0.25 |
| 0    | 0    | 1    | 1    | 0    | 0      | 1      | 0      | 1      | 0      | 412.00 | 103.00    | 68.67     | 34.33     | Center +/- 0.25 |
| 0    | 0    | 1    | 1    | 0    | 0      | 1      | 0      | 1      | 1      | 420.00 | 105.00    | 70.00     | 35.00     | Center +/- 0.25 |
| 0    | 0    | 1    | 1    | 0    | 0      | 1      | 1      | 0      | 0      | 428.00 | 107.00    | 71.33     | 35.67     | Center +/- 0.25 |
| 0    | 0    | 1    | 1    | 0    | 0      | 1      | 1      | 0      | 1      | 436.00 | 109.00    | 72.67     | 36.33     | Center +/- 0.25 |
| 0    | 0    | 1    | 1    | 0    | 0      | 1      | 1      | 1      | 0      | 440.00 | 110.00    | 73.33     | 36.67     | Center +/- 0.25 |
| 0    | 0    | 1    | 1    | 0    | 0      | 1      | 1      | 1      | 1      | 444.00 | 111.00    | 74.00     | 37.00     | Center +/- 0.25 |
| 0    | 0    | 1    | 1    | 0    | 1      | 0      | 0      | 0      | 0      | 333.33 | 111.11    | 66.67     | 33.33     | Down Sp 0-0.5 % |
| 0    | 0    | 1    | 1    | 0    | 1      | 0      | 0      | 0      | 1      | 336.66 | 112.22    | 67.33     | 33.67     | Center +/- 0.25 |
| 0    | 0    | 1    | 1    | 0    | 1      | 0      | 0      | 1      | 0      | 343.33 | 114.44    | 68.67     | 34.33     | Center +/- 0.25 |
| 0    | 0    | 1    | 1    | 0    | 1      | 0      | 0      | 1      | 1      | 350.00 | 116.67    | 70.00     | 35.00     | Center +/- 0.25 |
| 0    | 0    | 1    | 1    | 0    | 1      | 0      | 1      | 0      | 0      | 356.66 | 118.89    | 71.33     | 35.67     | Center +/- 0.25 |
| 0    | 0    | 1    | 1    | 0    | 1      | 0      | 1      | 0      | 1      | 363.33 | 121.11    | 72.67     | 36.33     | Center +/- 0.25 |
| 0    | 0    | 1    | 1    | 0    | 1      | 0      | 1      | 1      | 0      | 366.66 | 122.22    | 73.33     | 36.67     | Center +/- 0.25 |
| 0    | 0    | 1    | 1    | 0    | 1      | 0      | 1      | 1      | 1      | 370.00 | 123.33    | 74.00     | 37.00     | Center +/- 0.25 |
| 0    | 0    | 1    | 1    | 0    | 1      | 1      | 0      | 0      | 0      | 400.00 | 100.00    | 66.67     | 33.33     | Down Sp 0-0.5 % |
| 0    | 0    | 1    | 1    | 0    | 1      | 1      | 0      | 0      | 1      | 404.00 | 101.00    | 67.33     | 33.67     | Center +/- 0.25 |
| 0    | 0    | 1    | 1    | 0    | 1      | 1      | 0      | 1      | 0      | 412.00 | 103.00    | 68.67     | 34.33     | Center +/- 0.25 |
| 0    | 0    | 1    | 1    | 0    | 1      | 1      | 1      | 0      | 1      | 420.00 | 105.00    | 70.00     | 35.00     | Center +/- 0.25 |
| 0    | 0    | 1    | 1    | 0    | 1      | 1      | 1      | 0      | 0      | 428.00 | 107.00    | 71.33     | 35.67     | Center +/- 0.25 |
| 0    | 0    | 1    | 1    | 0    | 1      | 1      | 1      | 0      | 1      | 436.00 | 109.00    | 72.67     | 36.33     | Center +/- 0.25 |
| 0    | 0    | 1    | 1    | 0    | 1      | 1      | 1      | 1      | 0      | 440.00 | 110.00    | 73.33     | 36.67     | Center +/- 0.25 |
| 0    | 0    | 1    | 1    | 0    | 1      | 1      | 1      | 1      | 1      | 444.00 | 111.00    | 74.00     | 37.00     | Center +/- 0.25 |



Table 1a. CPU PLL1 Turbo Rom (continued)

| FS4  | FS3  | FSL2 | FSL1 | FSL0 | CPUFS4 | CPUFS3 | CPUFS2 | CPUFS1 | CPUFS0 | CPU    | PCI-EX    | AGP       | PCI       | Spreading       |
|------|------|------|------|------|--------|--------|--------|--------|--------|--------|-----------|-----------|-----------|-----------------|
| B0b4 | B0b3 | B0b2 | B0b1 | B0b0 | B1bit4 | B1bit3 | B1bit2 | B1bit1 | B1bit0 | Mhz    | (default) | (default) | (default) | %               |
| 0    | 0    | 1    | 1    | 1    | 0      | 0      | 0      | 0      | 0      | N/A    | N/A       | N/A       | N/A       | Down Sp 0-0.5 % |
| 0    | 0    | 1    | 1    | 1    | 0      | 0      | 0      | 0      | 1      | N/A    | N/A       | N/A       | N/A       | Center +/- 0.25 |
| 0    | 0    | 1    | 1    | 1    | 0      | 0      | 0      | 1      | 0      | N/A    | N/A       | N/A       | N/A       | Center +/- 0.25 |
| 0    | 0    | 1    | 1    | 1    | 0      | 0      | 0      | 1      | 1      | N/A    | N/A       | N/A       | N/A       | Center +/- 0.25 |
| 0    | 0    | 1    | 1    | 1    | 0      | 0      | 1      | 0      | 0      | N/A    | N/A       | N/A       | N/A       | Center +/- 0.25 |
| 0    | 0    | 1    | 1    | 1    | 0      | 0      | 1      | 0      | 1      | N/A    | N/A       | N/A       | N/A       | Center +/- 0.25 |
| 0    | 0    | 1    | 1    | 1    | 0      | 0      | 1      | 1      | 0      | N/A    | N/A       | N/A       | N/A       | Center +/- 0.25 |
| 0    | 0    | 1    | 1    | 1    | 0      | 0      | 1      | 1      | 1      | N/A    | N/A       | N/A       | N/A       | Center +/- 0.25 |
| 0    | 0    | 1    | 1    | 1    | 0      | 1      | 0      | 0      | 0      | 200.00 | 100.00    | 66.67     | 33.33     | Down Sp 0-0.5 % |
| 0    | 0    | 1    | 1    | 1    | 0      | 1      | 0      | 0      | 1      | 202.00 | 101.00    | 67.33     | 33.67     | Center +/- 0.25 |
| 0    | 0    | 1    | 1    | 1    | 0      | 1      | 0      | 1      | 0      | 206.00 | 103.00    | 68.67     | 34.33     | Center +/- 0.25 |
| 0    | 0    | 1    | 1    | 1    | 0      | 1      | 0      | 1      | 1      | 210.00 | 105.00    | 70.00     | 35.00     | Center +/- 0.25 |
| 0    | 0    | 1    | 1    | 1    | 0      | 1      | 1      | 0      | 0      | 214.00 | 107.00    | 71.33     | 35.67     | Center +/- 0.25 |
| 0    | 0    | 1    | 1    | 1    | 0      | 1      | 1      | 0      | 1      | 218.00 | 109.00    | 72.67     | 36.33     | Center +/- 0.25 |
| 0    | 0    | 1    | 1    | 1    | 0      | 1      | 1      | 1      | 0      | 220.00 | 110.00    | 73.33     | 36.67     | Center +/- 0.25 |
| 0    | 0    | 1    | 1    | 1    | 0      | 1      | 1      | 1      | 1      | 222.00 | 111.00    | 74.00     | 37.00     | Center +/- 0.25 |
| 0    | 0    | 1    | 1    | 1    | 1      | 0      | 0      | 0      | 0      | 166.67 | 111.11    | 66.67     | 33.33     | Down Sp 0-0.5 % |
| 0    | 0    | 1    | 1    | 1    | 1      | 0      | 0      | 0      | 1      | 168.33 | 112.22    | 67.33     | 33.67     | Center +/- 0.25 |
| 0    | 0    | 1    | 1    | 1    | 1      | 0      | 0      | 1      | 0      | 171.66 | 114.44    | 68.67     | 34.33     | Center +/- 0.25 |
| 0    | 0    | 1    | 1    | 1    | 1      | 0      | 0      | 1      | 1      | 175.00 | 116.67    | 70.00     | 35.00     | Center +/- 0.25 |
| 0    | 0    | 1    | 1    | 1    | 1      | 0      | 1      | 0      | 0      | 178.33 | 118.89    | 71.33     | 35.67     | Center +/- 0.25 |
| 0    | 0    | 1    | 1    | 1    | 1      | 0      | 1      | 0      | 1      | 181.66 | 121.11    | 72.67     | 36.33     | Center +/- 0.25 |
| 0    | 0    | 1    | 1    | 1    | 1      | 0      | 1      | 1      | 0      | 183.33 | 122.22    | 73.33     | 36.67     | Center +/- 0.25 |
| 0    | 0    | 1    | 1    | 1    | 1      | 0      | 1      | 1      | 1      | 185.00 | 123.33    | 74.00     | 37.00     | Center +/- 0.25 |
| 0    | 0    | 1    | 1    | 1    | 1      | 1      | 0      | 0      | 0      | 200.00 | 100.00    | 66.67     | 33.33     | Down Sp 0-0.5 % |
| 0    | 0    | 1    | 1    | 1    | 1      | 1      | 0      | 0      | 1      | 202.00 | 101.00    | 67.33     | 33.67     | Center +/- 0.25 |
| 0    | 0    | 1    | 1    | 1    | 1      | 1      | 0      | 1      | 0      | 206.00 | 103.00    | 68.67     | 34.33     | Center +/- 0.25 |
| 0    | 0    | 1    | 1    | 1    | 1      | 1      | 0      | 1      | 1      | 210.00 | 105.00    | 70.00     | 35.00     | Center +/- 0.25 |
| 0    | 0    | 1    | 1    | 1    | 1      | 1      | 1      | 0      | 0      | 214.00 | 107.00    | 71.33     | 35.67     | Center +/- 0.25 |
| 0    | 0    | 1    | 1    | 1    | 1      | 1      | 1      | 0      | 1      | 218.00 | 109.00    | 72.67     | 36.33     | Center +/- 0.25 |
| 0    | 0    | 1    | 1    | 1    | 1      | 1      | 1      | 1      | 0      | 220.00 | 110.00    | 73.33     | 36.67     | Center +/- 0.25 |
| 0    | 0    | 1    | 1    | 1    | 1      | 1      | 1      | 1      | 1      | 222.00 | 111.00    | 74.00     | 37.00     | Center +/- 0.25 |

**Table 1a. CPU PLL1 Turbo Rom (continued)**

| FS4  | FS3  | FSL2 | FSL1 | FSL0 | CPUFS4 | CPUFS3 | CPUFS2 | CPUFS1 | CPUFS0 | CPU    | PCI-EX    | AGP       | PCI       | Spreading       |
|------|------|------|------|------|--------|--------|--------|--------|--------|--------|-----------|-----------|-----------|-----------------|
| B0b4 | B0b3 | B0b2 | B0b1 | B0b0 | B1bit4 | B1bit3 | B1bit2 | B1bit1 | B1bit0 | Mhz    | (default) | (default) | (default) | %               |
| 0    | 1    | 0    | 0    | 0    | 0      | 0      | 0      | 0      | 0      | N/A    | N/A       | N/A       | N/A       | Down Sp 0-0.5 % |
| 0    | 1    | 0    | 0    | 0    | 0      | 0      | 0      | 0      | 1      | N/A    | N/A       | N/A       | N/A       | Center +/- 0.25 |
| 0    | 1    | 0    | 0    | 0    | 0      | 0      | 0      | 1      | 0      | N/A    | N/A       | N/A       | N/A       | Center +/- 0.25 |
| 0    | 1    | 0    | 0    | 0    | 0      | 0      | 0      | 1      | 1      | N/A    | N/A       | N/A       | N/A       | Center +/- 0.25 |
| 0    | 1    | 0    | 0    | 0    | 0      | 0      | 1      | 0      | 0      | N/A    | N/A       | N/A       | N/A       | Center +/- 0.25 |
| 0    | 1    | 0    | 0    | 0    | 0      | 0      | 1      | 0      | 1      | N/A    | N/A       | N/A       | N/A       | Center +/- 0.25 |
| 0    | 1    | 0    | 0    | 0    | 0      | 0      | 1      | 1      | 0      | N/A    | N/A       | N/A       | N/A       | Center +/- 0.25 |
| 0    | 1    | 0    | 0    | 0    | 0      | 0      | 1      | 1      | 1      | N/A    | N/A       | N/A       | N/A       | Center +/- 0.25 |
| 0    | 1    | 0    | 0    | 0    | 0      | 1      | 0      | 0      | 0      | 100.00 | 100.00    | 66.67     | 33.33     | Down Sp 0-0.5 % |
| 0    | 1    | 0    | 0    | 0    | 0      | 1      | 0      | 0      | 1      | 101.00 | 101.00    | 67.33     | 33.67     | Center +/- 0.25 |
| 0    | 1    | 0    | 0    | 0    | 0      | 1      | 0      | 1      | 0      | 103.00 | 103.00    | 68.67     | 34.33     | Center +/- 0.25 |
| 0    | 1    | 0    | 0    | 0    | 0      | 1      | 0      | 1      | 1      | 105.00 | 105.00    | 70.00     | 35.00     | Center +/- 0.25 |
| 0    | 1    | 0    | 0    | 0    | 0      | 1      | 1      | 0      | 0      | 107.00 | 107.00    | 71.33     | 35.67     | Center +/- 0.25 |
| 0    | 1    | 0    | 0    | 0    | 0      | 1      | 1      | 0      | 1      | 109.00 | 109.00    | 72.67     | 36.33     | Center +/- 0.25 |
| 0    | 1    | 0    | 0    | 0    | 0      | 1      | 1      | 1      | 0      | 110.00 | 110.00    | 73.33     | 36.67     | Center +/- 0.25 |
| 0    | 1    | 0    | 0    | 0    | 0      | 1      | 1      | 1      | 1      | 111.00 | 111.00    | 74.00     | 37.00     | Center +/- 0.25 |
| 0    | 1    | 0    | 0    | 0    | 1      | 0      | 0      | 0      | 0      | 83.33  | 111.11    | 66.67     | 33.33     | Down Sp 0-0.5 % |
| 0    | 1    | 0    | 0    | 0    | 1      | 0      | 0      | 0      | 1      | 84.17  | 112.22    | 67.33     | 33.67     | Center +/- 0.25 |
| 0    | 1    | 0    | 0    | 0    | 1      | 0      | 0      | 1      | 0      | 85.83  | 114.44    | 68.67     | 34.33     | Center +/- 0.25 |
| 0    | 1    | 0    | 0    | 0    | 1      | 0      | 0      | 1      | 1      | 87.50  | 116.67    | 70.00     | 35.00     | Center +/- 0.25 |
| 0    | 1    | 0    | 0    | 0    | 1      | 0      | 1      | 0      | 0      | 89.17  | 118.89    | 71.33     | 35.67     | Center +/- 0.25 |
| 0    | 1    | 0    | 0    | 0    | 1      | 0      | 1      | 0      | 1      | 90.83  | 121.11    | 72.67     | 36.33     | Center +/- 0.25 |
| 0    | 1    | 0    | 0    | 0    | 1      | 0      | 1      | 1      | 0      | 91.67  | 122.22    | 73.33     | 36.67     | Center +/- 0.25 |
| 0    | 1    | 0    | 0    | 0    | 1      | 0      | 1      | 1      | 1      | 92.50  | 123.33    | 74.00     | 37.00     | Center +/- 0.25 |
| 0    | 1    | 0    | 0    | 0    | 1      | 1      | 0      | 0      | 0      | 100.00 | 100.00    | 66.67     | 33.33     | Down Sp 0-0.5 % |
| 0    | 1    | 0    | 0    | 0    | 1      | 1      | 0      | 0      | 1      | 101.00 | 101.00    | 67.33     | 33.67     | Center +/- 0.25 |
| 0    | 1    | 0    | 0    | 0    | 1      | 1      | 0      | 1      | 0      | 103.00 | 103.00    | 68.67     | 34.33     | Center +/- 0.25 |
| 0    | 1    | 0    | 0    | 0    | 1      | 1      | 0      | 1      | 1      | 105.00 | 105.00    | 70.00     | 35.00     | Center +/- 0.25 |
| 0    | 1    | 0    | 0    | 0    | 1      | 1      | 1      | 0      | 0      | 107.00 | 107.00    | 71.33     | 35.67     | Center +/- 0.25 |
| 0    | 1    | 0    | 0    | 0    | 1      | 1      | 1      | 0      | 1      | 109.00 | 109.00    | 72.67     | 36.33     | Center +/- 0.25 |
| 0    | 1    | 0    | 0    | 0    | 1      | 1      | 1      | 1      | 0      | 110.00 | 110.00    | 73.33     | 36.67     | Center +/- 0.25 |
| 0    | 1    | 0    | 0    | 0    | 1      | 1      | 1      | 1      | 1      | 111.00 | 111.00    | 74.00     | 37.00     | Center +/- 0.25 |



Table 1a. CPU PLL1 Turbo Rom (continued)

| FS4  | FS3  | FSL2 | FSL1 | FSL0 | CPUFS4 | CPUFS3 | CPUFS2 | CPUFS1 | CPUFS0 | CPU    | PCI-EX    | AGP       | PCI       | Spreading       |
|------|------|------|------|------|--------|--------|--------|--------|--------|--------|-----------|-----------|-----------|-----------------|
| B0b4 | B0b3 | B0b2 | B0b1 | B0b0 | B1bit4 | B1bit3 | B1bit2 | B1bit1 | B1bit0 | Mhz    | (default) | (default) | (default) | %               |
| 0    | 1    | 0    | 0    | 1    | 0      | 0      | 0      | 0      | 0      | N/A    | N/A       | N/A       | N/A       | Down Sp 0-0.5 % |
| 0    | 1    | 0    | 0    | 1    | 0      | 0      | 0      | 0      | 1      | N/A    | N/A       | N/A       | N/A       | Center +/- 0.25 |
| 0    | 1    | 0    | 0    | 1    | 0      | 0      | 0      | 1      | 0      | N/A    | N/A       | N/A       | N/A       | Center +/- 0.25 |
| 0    | 1    | 0    | 0    | 1    | 0      | 0      | 0      | 1      | 1      | N/A    | N/A       | N/A       | N/A       | Center +/- 0.25 |
| 0    | 1    | 0    | 0    | 1    | 0      | 0      | 1      | 0      | 0      | N/A    | N/A       | N/A       | N/A       | Center +/- 0.25 |
| 0    | 1    | 0    | 0    | 1    | 0      | 0      | 1      | 0      | 1      | N/A    | N/A       | N/A       | N/A       | Center +/- 0.25 |
| 0    | 1    | 0    | 0    | 1    | 0      | 0      | 1      | 1      | 0      | N/A    | N/A       | N/A       | N/A       | Center +/- 0.25 |
| 0    | 1    | 0    | 0    | 1    | 0      | 0      | 1      | 1      | 1      | N/A    | N/A       | N/A       | N/A       | Center +/- 0.25 |
| 0    | 1    | 0    | 0    | 1    | 0      | 1      | 0      | 0      | 0      | 133.33 | 100.00    | 66.67     | 33.33     | Down Sp 0-0.5 % |
| 0    | 1    | 0    | 0    | 1    | 0      | 1      | 0      | 0      | 1      | 134.67 | 101.00    | 67.33     | 33.67     | Center +/- 0.25 |
| 0    | 1    | 0    | 0    | 1    | 0      | 1      | 0      | 1      | 0      | 137.33 | 103.00    | 68.67     | 34.33     | Center +/- 0.25 |
| 0    | 1    | 0    | 0    | 1    | 0      | 1      | 0      | 1      | 1      | 140.00 | 105.00    | 70.00     | 35.00     | Center +/- 0.25 |
| 0    | 1    | 0    | 0    | 1    | 0      | 1      | 1      | 0      | 0      | 142.67 | 107.00    | 71.33     | 35.67     | Center +/- 0.25 |
| 0    | 1    | 0    | 0    | 1    | 0      | 1      | 1      | 0      | 1      | 145.33 | 109.00    | 72.67     | 36.33     | Center +/- 0.25 |
| 0    | 1    | 0    | 0    | 1    | 0      | 1      | 1      | 1      | 0      | 146.67 | 110.00    | 73.33     | 36.67     | Center +/- 0.25 |
| 0    | 1    | 0    | 0    | 1    | 0      | 1      | 1      | 1      | 1      | 148.00 | 111.00    | 74.00     | 37.00     | Center +/- 0.25 |
| 0    | 1    | 0    | 0    | 1    | 1      | 0      | 0      | 0      | 0      | 111.11 | 111.11    | 66.67     | 33.33     | Down Sp 0-0.5 % |
| 0    | 1    | 0    | 0    | 1    | 1      | 0      | 0      | 0      | 1      | 112.22 | 112.22    | 67.33     | 33.67     | Center +/- 0.25 |
| 0    | 1    | 0    | 0    | 1    | 1      | 0      | 0      | 1      | 0      | 114.44 | 114.44    | 68.67     | 34.33     | Center +/- 0.25 |
| 0    | 1    | 0    | 0    | 1    | 1      | 0      | 0      | 1      | 1      | 116.67 | 116.67    | 70.00     | 35.00     | Center +/- 0.25 |
| 0    | 1    | 0    | 0    | 1    | 1      | 0      | 1      | 0      | 0      | 118.89 | 118.89    | 71.33     | 35.67     | Center +/- 0.25 |
| 0    | 1    | 0    | 0    | 1    | 1      | 0      | 1      | 0      | 1      | 121.11 | 121.11    | 72.67     | 36.33     | Center +/- 0.25 |
| 0    | 1    | 0    | 0    | 1    | 1      | 0      | 1      | 1      | 0      | 122.22 | 122.22    | 73.33     | 36.67     | Center +/- 0.25 |
| 0    | 1    | 0    | 0    | 1    | 1      | 0      | 1      | 1      | 1      | 123.33 | 123.33    | 74.00     | 37.00     | Center +/- 0.25 |
| 0    | 1    | 0    | 0    | 1    | 1      | 1      | 0      | 0      | 0      | 133.33 | 100.00    | 66.67     | 33.33     | Down Sp 0-0.5 % |
| 0    | 1    | 0    | 0    | 1    | 1      | 1      | 0      | 0      | 1      | 134.67 | 101.00    | 67.33     | 33.67     | Center +/- 0.25 |
| 0    | 1    | 0    | 0    | 1    | 1      | 1      | 0      | 1      | 0      | 137.33 | 103.00    | 68.67     | 34.33     | Center +/- 0.25 |
| 0    | 1    | 0    | 0    | 1    | 1      | 1      | 0      | 1      | 1      | 140.00 | 105.00    | 70.00     | 35.00     | Center +/- 0.25 |
| 0    | 1    | 0    | 0    | 1    | 1      | 1      | 1      | 0      | 0      | 142.67 | 107.00    | 71.33     | 35.67     | Center +/- 0.25 |
| 0    | 1    | 0    | 0    | 1    | 1      | 1      | 1      | 0      | 1      | 145.33 | 109.00    | 72.67     | 36.33     | Center +/- 0.25 |
| 0    | 1    | 0    | 0    | 1    | 1      | 1      | 1      | 1      | 0      | 146.67 | 110.00    | 73.33     | 36.67     | Center +/- 0.25 |
| 0    | 1    | 0    | 0    | 1    | 1      | 1      | 1      | 1      | 1      | 148.00 | 111.00    | 74.00     | 37.00     | Center +/- 0.25 |



Table 1a. CPU PLL1 Turbo Rom (continued)

| FS4  | FS3  | FSL2 | FSL1 | FSL0 | CPUFS4 | CPUFS3 | CPUFS2 | CPUFS1 | CPUFS0 | CPU    | PCI-EX    | AGP       | PCI       | Spreading       |
|------|------|------|------|------|--------|--------|--------|--------|--------|--------|-----------|-----------|-----------|-----------------|
| B0b4 | B0b3 | B0b2 | B0b1 | B0b0 | B1bit4 | B1bit3 | B1bit2 | B1bit1 | B1bit0 | Mhz    | (default) | (default) | (default) | %               |
| 0    | 1    | 0    | 1    | 0    | 0      | 0      | 0      | 0      | 0      | N/A    | N/A       | N/A       | N/A       | Down Sp 0-0.5 % |
| 0    | 1    | 0    | 1    | 0    | 0      | 0      | 0      | 0      | 1      | N/A    | N/A       | N/A       | N/A       | Center +/- 0.25 |
| 0    | 1    | 0    | 1    | 0    | 0      | 0      | 0      | 1      | 0      | N/A    | N/A       | N/A       | N/A       | Center +/- 0.25 |
| 0    | 1    | 0    | 1    | 0    | 0      | 0      | 0      | 1      | 1      | N/A    | N/A       | N/A       | N/A       | Center +/- 0.25 |
| 0    | 1    | 0    | 1    | 0    | 0      | 0      | 1      | 0      | 0      | N/A    | N/A       | N/A       | N/A       | Center +/- 0.25 |
| 0    | 1    | 0    | 1    | 0    | 0      | 0      | 0      | 1      | 0      | N/A    | N/A       | N/A       | N/A       | Center +/- 0.25 |
| 0    | 1    | 0    | 1    | 0    | 0      | 0      | 1      | 1      | 0      | N/A    | N/A       | N/A       | N/A       | Center +/- 0.25 |
| 0    | 1    | 0    | 1    | 0    | 0      | 0      | 1      | 1      | 1      | N/A    | N/A       | N/A       | N/A       | Center +/- 0.25 |
| 0    | 1    | 0    | 1    | 0    | 0      | 1      | 0      | 0      | 0      | 200.00 | 100.00    | 66.67     | 33.33     | Down Sp 0-0.5 % |
| 0    | 1    | 0    | 1    | 0    | 0      | 1      | 0      | 0      | 1      | 202.00 | 101.00    | 67.33     | 33.67     | Center +/- 0.25 |
| 0    | 1    | 0    | 1    | 0    | 0      | 1      | 0      | 1      | 0      | 206.00 | 103.00    | 68.67     | 34.33     | Center +/- 0.25 |
| 0    | 1    | 0    | 1    | 0    | 0      | 1      | 0      | 1      | 1      | 210.00 | 105.00    | 70.00     | 35.00     | Center +/- 0.25 |
| 0    | 1    | 0    | 1    | 0    | 0      | 1      | 1      | 0      | 0      | 214.00 | 107.00    | 71.33     | 35.67     | Center +/- 0.25 |
| 0    | 1    | 0    | 1    | 0    | 0      | 1      | 1      | 0      | 1      | 218.00 | 109.00    | 72.67     | 36.33     | Center +/- 0.25 |
| 0    | 1    | 0    | 1    | 0    | 0      | 1      | 1      | 1      | 0      | 220.00 | 110.00    | 73.33     | 36.67     | Center +/- 0.25 |
| 0    | 1    | 0    | 1    | 0    | 0      | 1      | 1      | 1      | 1      | 222.00 | 111.00    | 74.00     | 37.00     | Center +/- 0.25 |
| 0    | 1    | 0    | 1    | 0    | 1      | 0      | 0      | 0      | 0      | 166.67 | 111.11    | 66.67     | 33.33     | Down Sp 0-0.5 % |
| 0    | 1    | 0    | 1    | 0    | 1      | 0      | 0      | 0      | 1      | 168.33 | 112.22    | 67.33     | 33.67     | Center +/- 0.25 |
| 0    | 1    | 0    | 1    | 0    | 1      | 0      | 0      | 1      | 0      | 171.66 | 114.44    | 68.67     | 34.33     | Center +/- 0.25 |
| 0    | 1    | 0    | 1    | 0    | 1      | 0      | 0      | 1      | 1      | 175.00 | 116.67    | 70.00     | 35.00     | Center +/- 0.25 |
| 0    | 1    | 0    | 1    | 0    | 1      | 0      | 1      | 0      | 0      | 178.33 | 118.89    | 71.33     | 35.67     | Center +/- 0.25 |
| 0    | 1    | 0    | 1    | 0    | 1      | 0      | 1      | 0      | 1      | 181.66 | 121.11    | 72.67     | 36.33     | Center +/- 0.25 |
| 0    | 1    | 0    | 1    | 0    | 1      | 0      | 1      | 1      | 0      | 183.33 | 122.22    | 73.33     | 36.67     | Center +/- 0.25 |
| 0    | 1    | 0    | 1    | 0    | 1      | 0      | 1      | 1      | 1      | 185.00 | 123.33    | 74.00     | 37.00     | Center +/- 0.25 |
| 0    | 1    | 0    | 1    | 0    | 1      | 1      | 0      | 0      | 0      | 200.00 | 100.00    | 66.67     | 33.33     | Down Sp 0-0.5 % |
| 0    | 1    | 0    | 1    | 0    | 1      | 1      | 0      | 0      | 1      | 202.00 | 101.00    | 67.33     | 33.67     | Center +/- 0.25 |
| 0    | 1    | 0    | 1    | 0    | 1      | 1      | 0      | 1      | 0      | 206.00 | 103.00    | 68.67     | 34.33     | Center +/- 0.25 |
| 0    | 1    | 0    | 1    | 0    | 1      | 1      | 1      | 0      | 1      | 210.00 | 105.00    | 70.00     | 35.00     | Center +/- 0.25 |
| 0    | 1    | 0    | 1    | 0    | 1      | 1      | 1      | 0      | 0      | 214.00 | 107.00    | 71.33     | 35.67     | Center +/- 0.25 |
| 0    | 1    | 0    | 1    | 0    | 1      | 1      | 1      | 0      | 1      | 218.00 | 109.00    | 72.67     | 36.33     | Center +/- 0.25 |
| 0    | 1    | 0    | 1    | 0    | 1      | 1      | 1      | 1      | 0      | 220.00 | 110.00    | 73.33     | 36.67     | Center +/- 0.25 |
| 0    | 1    | 0    | 1    | 0    | 1      | 1      | 1      | 1      | 1      | 222.00 | 111.00    | 74.00     | 37.00     | Center +/- 0.25 |

Table 1a. CPU PLL1 Turbo Rom (continued)

| FS4  | FS3  | FSL2 | FSL1 | FSL0 | CPUFS4 | CPUFS3 | CPUFS2 | CPUFS1 | CPUFS0 | CPU    | PCI-EX    | AGP       | PCI       | Spreading       |
|------|------|------|------|------|--------|--------|--------|--------|--------|--------|-----------|-----------|-----------|-----------------|
| B0b4 | B0b3 | B0b2 | B0b1 | B0b0 | B1bit4 | B1bit3 | B1bit2 | B1bit1 | B1bit0 | Mhz    | (default) | (default) | (default) | %               |
| 0    | 1    | 0    | 1    | 1    | 0      | 0      | 0      | 0      | 0      | N/A    | N/A       | N/A       | N/A       | Down Sp 0-0.5 % |
| 0    | 1    | 0    | 1    | 1    | 0      | 0      | 0      | 0      | 1      | N/A    | N/A       | N/A       | N/A       | Center +/- 0.25 |
| 0    | 1    | 0    | 1    | 1    | 0      | 0      | 0      | 1      | 0      | N/A    | N/A       | N/A       | N/A       | Center +/- 0.25 |
| 0    | 1    | 0    | 1    | 1    | 0      | 0      | 0      | 1      | 1      | N/A    | N/A       | N/A       | N/A       | Center +/- 0.25 |
| 0    | 1    | 0    | 1    | 1    | 0      | 0      | 1      | 0      | 0      | N/A    | N/A       | N/A       | N/A       | Center +/- 0.25 |
| 0    | 1    | 0    | 1    | 1    | 0      | 0      | 1      | 0      | 1      | N/A    | N/A       | N/A       | N/A       | Center +/- 0.25 |
| 0    | 1    | 0    | 1    | 1    | 0      | 0      | 1      | 1      | 0      | N/A    | N/A       | N/A       | N/A       | Center +/- 0.25 |
| 0    | 1    | 0    | 1    | 1    | 0      | 0      | 1      | 1      | 1      | N/A    | N/A       | N/A       | N/A       | Center +/- 0.25 |
| 0    | 1    | 0    | 1    | 1    | 0      | 1      | 0      | 0      | 0      | 200.00 | 100.00    | 66.67     | 33.33     | Down Sp 0-0.5 % |
| 0    | 1    | 0    | 1    | 1    | 0      | 1      | 0      | 0      | 1      | 202.00 | 101.00    | 67.33     | 33.67     | Center +/- 0.25 |
| 0    | 1    | 0    | 1    | 1    | 0      | 1      | 0      | 1      | 0      | 206.00 | 103.00    | 68.67     | 34.33     | Center +/- 0.25 |
| 0    | 1    | 0    | 1    | 1    | 0      | 1      | 0      | 1      | 1      | 210.00 | 105.00    | 70.00     | 35.00     | Center +/- 0.25 |
| 0    | 1    | 0    | 1    | 1    | 0      | 1      | 1      | 0      | 0      | 214.00 | 107.00    | 71.33     | 35.67     | Center +/- 0.25 |
| 0    | 1    | 0    | 1    | 1    | 0      | 1      | 1      | 0      | 1      | 218.00 | 109.00    | 72.67     | 36.33     | Center +/- 0.25 |
| 0    | 1    | 0    | 1    | 1    | 0      | 1      | 1      | 1      | 0      | 220.00 | 110.00    | 73.33     | 36.67     | Center +/- 0.25 |
| 0    | 1    | 0    | 1    | 1    | 0      | 1      | 1      | 1      | 1      | 222.00 | 111.00    | 74.00     | 37.00     | Center +/- 0.25 |
| 0    | 1    | 0    | 1    | 1    | 1      | 0      | 0      | 0      | 0      | 166.67 | 111.11    | 66.67     | 33.33     | Down Sp 0-0.5 % |
| 0    | 1    | 0    | 1    | 1    | 1      | 0      | 0      | 0      | 1      | 168.33 | 112.22    | 67.33     | 33.67     | Center +/- 0.25 |
| 0    | 1    | 0    | 1    | 1    | 1      | 0      | 0      | 1      | 0      | 171.66 | 114.44    | 68.67     | 34.33     | Center +/- 0.25 |
| 0    | 1    | 0    | 1    | 1    | 1      | 0      | 0      | 1      | 1      | 175.00 | 116.67    | 70.00     | 35.00     | Center +/- 0.25 |
| 0    | 1    | 0    | 1    | 1    | 1      | 0      | 1      | 0      | 0      | 178.33 | 118.89    | 71.33     | 35.67     | Center +/- 0.25 |
| 0    | 1    | 0    | 1    | 1    | 1      | 0      | 1      | 0      | 1      | 181.66 | 121.11    | 72.67     | 36.33     | Center +/- 0.25 |
| 0    | 1    | 0    | 1    | 1    | 1      | 0      | 1      | 1      | 0      | 183.33 | 122.22    | 73.33     | 36.67     | Center +/- 0.25 |
| 0    | 1    | 0    | 1    | 1    | 1      | 0      | 1      | 1      | 1      | 185.00 | 123.33    | 74.00     | 37.00     | Center +/- 0.25 |
| 0    | 1    | 0    | 1    | 1    | 1      | 1      | 0      | 0      | 0      | 200.00 | 100.00    | 66.67     | 33.33     | Down Sp 0-0.5 % |
| 0    | 1    | 0    | 1    | 1    | 1      | 1      | 0      | 0      | 1      | 202.00 | 101.00    | 67.33     | 33.67     | Center +/- 0.25 |
| 0    | 1    | 0    | 1    | 1    | 1      | 1      | 0      | 1      | 0      | 206.00 | 103.00    | 68.67     | 34.33     | Center +/- 0.25 |
| 0    | 1    | 0    | 1    | 1    | 1      | 1      | 0      | 1      | 1      | 210.00 | 105.00    | 70.00     | 35.00     | Center +/- 0.25 |
| 0    | 1    | 0    | 1    | 1    | 1      | 1      | 1      | 0      | 0      | 214.00 | 107.00    | 71.33     | 35.67     | Center +/- 0.25 |
| 0    | 1    | 0    | 1    | 1    | 1      | 1      | 1      | 0      | 1      | 218.00 | 109.00    | 72.67     | 36.33     | Center +/- 0.25 |
| 0    | 1    | 0    | 1    | 1    | 1      | 1      | 1      | 1      | 0      | 220.00 | 110.00    | 73.33     | 36.67     | Center +/- 0.25 |
| 0    | 1    | 0    | 1    | 1    | 1      | 1      | 1      | 1      | 1      | 222.00 | 111.00    | 74.00     | 37.00     | Center +/- 0.25 |





**Table 1a. CPU PLL1 Turbo Rom (continued)**

| FS4  | FS3  | FSL2 | FSL1 | FSL0 | CPUFS4 | CPUFS3 | CPUFS2 | CPUFS1 | CPUFS0 | CPU    | PCI-EX    | AGP       | PCI       | Spreading       |
|------|------|------|------|------|--------|--------|--------|--------|--------|--------|-----------|-----------|-----------|-----------------|
| B0b4 | B0b3 | B0b2 | B0b1 | B0b0 | B1bit4 | B1bit3 | B1bit2 | B1bit1 | B1bit0 | Mhz    | (default) | (default) | (default) | %               |
| 0    | 1    | 1    | 0    | 0    | 0      | 0      | 0      | 0      | 0      | N/A    | N/A       | N/A       | N/A       | Down Sp 0-0.5 % |
| 0    | 1    | 1    | 0    | 0    | 0      | 0      | 0      | 0      | 1      | N/A    | N/A       | N/A       | N/A       | Center +/- 0.25 |
| 0    | 1    | 1    | 0    | 0    | 0      | 0      | 0      | 1      | 0      | N/A    | N/A       | N/A       | N/A       | Center +/- 0.25 |
| 0    | 1    | 1    | 0    | 0    | 0      | 0      | 0      | 1      | 1      | N/A    | N/A       | N/A       | N/A       | Center +/- 0.25 |
| 0    | 1    | 1    | 0    | 0    | 0      | 0      | 1      | 0      | 0      | N/A    | N/A       | N/A       | N/A       | Center +/- 0.25 |
| 0    | 1    | 1    | 0    | 0    | 0      | 0      | 1      | 0      | 1      | N/A    | N/A       | N/A       | N/A       | Center +/- 0.25 |
| 0    | 1    | 1    | 0    | 0    | 0      | 0      | 1      | 1      | 0      | N/A    | N/A       | N/A       | N/A       | Center +/- 0.25 |
| 0    | 1    | 1    | 0    | 0    | 0      | 0      | 1      | 1      | 1      | N/A    | N/A       | N/A       | N/A       | Center +/- 0.25 |
| 0    | 1    | 1    | 0    | 0    | 0      | 1      | 0      | 0      | 0      | 100.00 | 100.00    | 66.67     | 33.33     | Down Sp 0-0.5 % |
| 0    | 1    | 1    | 0    | 0    | 0      | 1      | 0      | 0      | 1      | 101.00 | 101.00    | 67.33     | 33.67     | Center +/- 0.25 |
| 0    | 1    | 1    | 0    | 0    | 0      | 1      | 0      | 1      | 0      | 103.00 | 103.00    | 68.67     | 34.33     | Center +/- 0.25 |
| 0    | 1    | 1    | 0    | 0    | 0      | 1      | 0      | 1      | 1      | 105.00 | 105.00    | 70.00     | 35.00     | Center +/- 0.25 |
| 0    | 1    | 1    | 0    | 0    | 0      | 1      | 1      | 0      | 0      | 107.00 | 107.00    | 71.33     | 35.67     | Center +/- 0.25 |
| 0    | 1    | 1    | 0    | 0    | 0      | 1      | 1      | 0      | 1      | 109.00 | 109.00    | 72.67     | 36.33     | Center +/- 0.25 |
| 0    | 1    | 1    | 0    | 0    | 0      | 1      | 1      | 1      | 0      | 110.00 | 110.00    | 73.33     | 36.67     | Center +/- 0.25 |
| 0    | 1    | 1    | 0    | 0    | 0      | 1      | 1      | 1      | 1      | 111.00 | 111.00    | 74.00     | 37.00     | Center +/- 0.25 |
| 0    | 1    | 1    | 0    | 0    | 1      | 0      | 0      | 0      | 0      | 83.33  | 111.11    | 66.67     | 33.33     | Down Sp 0-0.5 % |
| 0    | 1    | 1    | 0    | 0    | 1      | 0      | 0      | 0      | 1      | 84.17  | 112.22    | 67.33     | 33.67     | Center +/- 0.25 |
| 0    | 1    | 1    | 0    | 0    | 1      | 0      | 0      | 1      | 0      | 85.83  | 114.44    | 68.67     | 34.33     | Center +/- 0.25 |
| 0    | 1    | 1    | 0    | 0    | 1      | 0      | 0      | 1      | 1      | 87.50  | 116.67    | 70.00     | 35.00     | Center +/- 0.25 |
| 0    | 1    | 1    | 0    | 0    | 1      | 0      | 1      | 0      | 0      | 89.17  | 118.89    | 71.33     | 35.67     | Center +/- 0.25 |
| 0    | 1    | 1    | 0    | 0    | 1      | 0      | 1      | 0      | 1      | 90.83  | 121.11    | 72.67     | 36.33     | Center +/- 0.25 |
| 0    | 1    | 1    | 0    | 0    | 1      | 0      | 1      | 1      | 0      | 91.67  | 122.22    | 73.33     | 36.67     | Center +/- 0.25 |
| 0    | 1    | 1    | 0    | 0    | 1      | 0      | 1      | 1      | 1      | 92.50  | 123.33    | 74.00     | 37.00     | Center +/- 0.25 |
| 0    | 1    | 1    | 0    | 0    | 1      | 1      | 0      | 0      | 0      | 100.00 | 100.00    | 66.67     | 33.33     | Down Sp 0-0.5 % |
| 0    | 1    | 1    | 0    | 0    | 1      | 1      | 0      | 0      | 1      | 101.00 | 101.00    | 67.33     | 33.67     | Center +/- 0.25 |
| 0    | 1    | 1    | 0    | 0    | 1      | 1      | 0      | 1      | 0      | 103.00 | 103.00    | 68.67     | 34.33     | Center +/- 0.25 |
| 0    | 1    | 1    | 0    | 0    | 1      | 1      | 0      | 1      | 1      | 105.00 | 105.00    | 70.00     | 35.00     | Center +/- 0.25 |
| 0    | 1    | 1    | 0    | 0    | 1      | 1      | 1      | 0      | 0      | 107.00 | 107.00    | 71.33     | 35.67     | Center +/- 0.25 |
| 0    | 1    | 1    | 0    | 0    | 1      | 1      | 1      | 0      | 1      | 109.00 | 109.00    | 72.67     | 36.33     | Center +/- 0.25 |
| 0    | 1    | 1    | 0    | 0    | 1      | 1      | 1      | 1      | 0      | 110.00 | 110.00    | 73.33     | 36.67     | Center +/- 0.25 |
| 0    | 1    | 1    | 0    | 0    | 1      | 1      | 1      | 1      | 1      | 111.00 | 111.00    | 74.00     | 37.00     | Center +/- 0.25 |



Table 1a. CPU PLL1 Turbo Rom (continued)

| FS4  | FS3  | FSL2 | FSL1 | FSL0 | CPUFS4 | CPUFS3 | CPUFS2 | CPUFS1 | CPUFS0 | CPU    | PCI-EX    | AGP       | PCI       | Spreading       |
|------|------|------|------|------|--------|--------|--------|--------|--------|--------|-----------|-----------|-----------|-----------------|
| B0b4 | B0b3 | B0b2 | B0b1 | B0b0 | B1bit4 | B1bit3 | B1bit2 | B1bit1 | B1bit0 | Mhz    | (default) | (default) | (default) | %               |
| 0    | 1    | 1    | 0    | 1    | 0      | 0      | 0      | 0      | 0      | N/A    | N/A       | N/A       | N/A       | Down Sp 0-0.5 % |
| 0    | 1    | 1    | 0    | 1    | 0      | 0      | 0      | 0      | 1      | N/A    | N/A       | N/A       | N/A       | Center +/- 0.25 |
| 0    | 1    | 1    | 0    | 1    | 0      | 0      | 0      | 1      | 0      | N/A    | N/A       | N/A       | N/A       | Center +/- 0.25 |
| 0    | 1    | 1    | 0    | 1    | 0      | 0      | 0      | 1      | 1      | N/A    | N/A       | N/A       | N/A       | Center +/- 0.25 |
| 0    | 1    | 1    | 0    | 1    | 0      | 0      | 1      | 0      | 0      | N/A    | N/A       | N/A       | N/A       | Center +/- 0.25 |
| 0    | 1    | 1    | 0    | 1    | 0      | 0      | 1      | 0      | 1      | N/A    | N/A       | N/A       | N/A       | Center +/- 0.25 |
| 0    | 1    | 1    | 0    | 1    | 0      | 0      | 1      | 1      | 0      | N/A    | N/A       | N/A       | N/A       | Center +/- 0.25 |
| 0    | 1    | 1    | 0    | 1    | 0      | 0      | 1      | 1      | 1      | N/A    | N/A       | N/A       | N/A       | Center +/- 0.25 |
| 0    | 1    | 1    | 0    | 1    | 0      | 1      | 0      | 0      | 0      | 133.33 | 100.00    | 66.67     | 33.33     | Down Sp 0-0.5 % |
| 0    | 1    | 1    | 0    | 1    | 0      | 1      | 0      | 0      | 1      | 134.67 | 101.00    | 67.33     | 33.67     | Center +/- 0.25 |
| 0    | 1    | 1    | 0    | 1    | 0      | 1      | 0      | 1      | 0      | 137.33 | 103.00    | 68.67     | 34.33     | Center +/- 0.25 |
| 0    | 1    | 1    | 0    | 1    | 0      | 1      | 0      | 1      | 1      | 140.00 | 105.00    | 70.00     | 35.00     | Center +/- 0.25 |
| 0    | 1    | 1    | 0    | 1    | 0      | 1      | 1      | 0      | 0      | 142.67 | 107.00    | 71.33     | 35.67     | Center +/- 0.25 |
| 0    | 1    | 1    | 0    | 1    | 0      | 1      | 1      | 0      | 1      | 145.33 | 109.00    | 72.67     | 36.33     | Center +/- 0.25 |
| 0    | 1    | 1    | 0    | 1    | 0      | 1      | 1      | 1      | 0      | 146.67 | 110.00    | 73.33     | 36.67     | Center +/- 0.25 |
| 0    | 1    | 1    | 0    | 1    | 0      | 1      | 1      | 1      | 1      | 148.00 | 111.00    | 74.00     | 37.00     | Center +/- 0.25 |
| 0    | 1    | 1    | 0    | 1    | 1      | 0      | 0      | 0      | 0      | 111.11 | 111.11    | 66.67     | 33.33     | Down Sp 0-0.5 % |
| 0    | 1    | 1    | 0    | 1    | 1      | 0      | 0      | 0      | 1      | 112.22 | 112.22    | 67.33     | 33.67     | Center +/- 0.25 |
| 0    | 1    | 1    | 0    | 1    | 1      | 0      | 0      | 1      | 0      | 114.44 | 114.44    | 68.67     | 34.33     | Center +/- 0.25 |
| 0    | 1    | 1    | 0    | 1    | 1      | 0      | 0      | 1      | 1      | 116.67 | 116.67    | 70.00     | 35.00     | Center +/- 0.25 |
| 0    | 1    | 1    | 0    | 1    | 1      | 0      | 1      | 0      | 0      | 118.89 | 118.89    | 71.33     | 35.67     | Center +/- 0.25 |
| 0    | 1    | 1    | 0    | 1    | 1      | 0      | 1      | 0      | 1      | 121.11 | 121.11    | 72.67     | 36.33     | Center +/- 0.25 |
| 0    | 1    | 1    | 0    | 1    | 1      | 0      | 1      | 1      | 0      | 122.22 | 122.22    | 73.33     | 36.67     | Center +/- 0.25 |
| 0    | 1    | 1    | 0    | 1    | 1      | 0      | 1      | 1      | 1      | 123.33 | 123.33    | 74.00     | 37.00     | Center +/- 0.25 |
| 0    | 1    | 1    | 0    | 1    | 1      | 1      | 0      | 0      | 0      | 133.33 | 100.00    | 66.67     | 33.33     | Down Sp 0-0.5 % |
| 0    | 1    | 1    | 0    | 1    | 1      | 1      | 0      | 0      | 1      | 134.67 | 101.00    | 67.33     | 33.67     | Center +/- 0.25 |
| 0    | 1    | 1    | 0    | 1    | 1      | 1      | 0      | 1      | 0      | 137.33 | 103.00    | 68.67     | 34.33     | Center +/- 0.25 |
| 0    | 1    | 1    | 0    | 1    | 1      | 1      | 0      | 1      | 1      | 140.00 | 105.00    | 70.00     | 35.00     | Center +/- 0.25 |
| 0    | 1    | 1    | 0    | 1    | 1      | 1      | 1      | 0      | 0      | 142.67 | 107.00    | 71.33     | 35.67     | Center +/- 0.25 |
| 0    | 1    | 1    | 0    | 1    | 1      | 1      | 1      | 0      | 1      | 145.33 | 109.00    | 72.67     | 36.33     | Center +/- 0.25 |
| 0    | 1    | 1    | 0    | 1    | 1      | 1      | 1      | 1      | 0      | 146.67 | 110.00    | 73.33     | 36.67     | Center +/- 0.25 |
| 0    | 1    | 1    | 0    | 1    | 1      | 1      | 1      | 1      | 1      | 148.00 | 111.00    | 74.00     | 37.00     | Center +/- 0.25 |

Table 1a. CPU PLL1 Turbo Rom (continued)

| FS4  | FS3  | FSL2 | FSL1 | FSL0 | CPUFS4 | CPUFS3 | CPUFS2 | CPUFS1 | CPUFS0 | CPU    | PCI-EX    | AGP       | PCI       | Spreading       |
|------|------|------|------|------|--------|--------|--------|--------|--------|--------|-----------|-----------|-----------|-----------------|
| B0b4 | B0b3 | B0b2 | B0b1 | B0b0 | B1bit4 | B1bit3 | B1bit2 | B1bit1 | B1bit0 | Mhz    | (default) | (default) | (default) | %               |
| 0    | 1    | 1    | 1    | 0    | 0      | 0      | 0      | 0      | 0      | N/A    | N/A       | N/A       | N/A       | Down Sp 0-0.5 % |
| 0    | 1    | 1    | 1    | 0    | 0      | 0      | 0      | 0      | 1      | N/A    | N/A       | N/A       | N/A       | Center +/- 0.25 |
| 0    | 1    | 1    | 1    | 0    | 0      | 0      | 0      | 1      | 0      | N/A    | N/A       | N/A       | N/A       | Center +/- 0.25 |
| 0    | 1    | 1    | 1    | 0    | 0      | 0      | 0      | 1      | 1      | N/A    | N/A       | N/A       | N/A       | Center +/- 0.25 |
| 0    | 1    | 1    | 1    | 0    | 0      | 0      | 1      | 0      | 0      | N/A    | N/A       | N/A       | N/A       | Center +/- 0.25 |
| 0    | 1    | 1    | 1    | 0    | 0      | 0      | 1      | 0      | 1      | N/A    | N/A       | N/A       | N/A       | Center +/- 0.25 |
| 0    | 1    | 1    | 1    | 0    | 0      | 0      | 1      | 1      | 0      | N/A    | N/A       | N/A       | N/A       | Center +/- 0.25 |
| 0    | 1    | 1    | 1    | 0    | 0      | 0      | 1      | 1      | 1      | N/A    | N/A       | N/A       | N/A       | Center +/- 0.25 |
| 0    | 1    | 1    | 1    | 0    | 0      | 1      | 0      | 0      | 0      | 200.00 | 100.00    | 66.67     | 33.33     | Down Sp 0-0.5 % |
| 0    | 1    | 1    | 1    | 0    | 0      | 1      | 0      | 0      | 1      | 202.00 | 101.00    | 67.33     | 33.67     | Center +/- 0.25 |
| 0    | 1    | 1    | 1    | 0    | 0      | 1      | 0      | 1      | 0      | 206.00 | 103.00    | 68.67     | 34.33     | Center +/- 0.25 |
| 0    | 1    | 1    | 1    | 0    | 0      | 1      | 0      | 1      | 1      | 210.00 | 105.00    | 70.00     | 35.00     | Center +/- 0.25 |
| 0    | 1    | 1    | 1    | 0    | 0      | 1      | 1      | 0      | 0      | 214.00 | 107.00    | 71.33     | 35.67     | Center +/- 0.25 |
| 0    | 1    | 1    | 1    | 0    | 0      | 1      | 1      | 0      | 1      | 218.00 | 109.00    | 72.67     | 36.33     | Center +/- 0.25 |
| 0    | 1    | 1    | 1    | 0    | 0      | 1      | 1      | 1      | 0      | 220.00 | 110.00    | 73.33     | 36.67     | Center +/- 0.25 |
| 0    | 1    | 1    | 1    | 0    | 0      | 1      | 1      | 1      | 1      | 222.00 | 111.00    | 74.00     | 37.00     | Center +/- 0.25 |
| 0    | 1    | 1    | 1    | 0    | 1      | 0      | 0      | 0      | 0      | 166.67 | 111.11    | 66.67     | 33.33     | Down Sp 0-0.5 % |
| 0    | 1    | 1    | 1    | 0    | 1      | 0      | 0      | 0      | 1      | 168.33 | 112.22    | 67.33     | 33.67     | Center +/- 0.25 |
| 0    | 1    | 1    | 1    | 0    | 1      | 0      | 0      | 1      | 0      | 171.66 | 114.44    | 68.67     | 34.33     | Center +/- 0.25 |
| 0    | 1    | 1    | 1    | 0    | 1      | 0      | 0      | 1      | 1      | 175.00 | 116.67    | 70.00     | 35.00     | Center +/- 0.25 |
| 0    | 1    | 1    | 1    | 0    | 1      | 0      | 1      | 0      | 0      | 178.33 | 118.89    | 71.33     | 35.67     | Center +/- 0.25 |
| 0    | 1    | 1    | 1    | 0    | 1      | 0      | 1      | 0      | 1      | 181.66 | 121.11    | 72.67     | 36.33     | Center +/- 0.25 |
| 0    | 1    | 1    | 1    | 0    | 1      | 0      | 1      | 1      | 0      | 183.33 | 122.22    | 73.33     | 36.67     | Center +/- 0.25 |
| 0    | 1    | 1    | 1    | 0    | 1      | 0      | 1      | 1      | 1      | 185.00 | 123.33    | 74.00     | 37.00     | Center +/- 0.25 |
| 0    | 1    | 1    | 1    | 0    | 1      | 1      | 0      | 0      | 0      | 200.00 | 100.00    | 66.67     | 33.33     | Down Sp 0-0.5 % |
| 0    | 1    | 1    | 1    | 0    | 1      | 1      | 0      | 0      | 1      | 202.00 | 101.00    | 67.33     | 33.67     | Center +/- 0.25 |
| 0    | 1    | 1    | 1    | 0    | 1      | 1      | 0      | 1      | 0      | 206.00 | 103.00    | 68.67     | 34.33     | Center +/- 0.25 |
| 0    | 1    | 1    | 1    | 0    | 1      | 1      | 1      | 0      | 1      | 210.00 | 105.00    | 70.00     | 35.00     | Center +/- 0.25 |
| 0    | 1    | 1    | 1    | 0    | 1      | 1      | 1      | 0      | 0      | 214.00 | 107.00    | 71.33     | 35.67     | Center +/- 0.25 |
| 0    | 1    | 1    | 1    | 0    | 1      | 1      | 1      | 0      | 1      | 218.00 | 109.00    | 72.67     | 36.33     | Center +/- 0.25 |
| 0    | 1    | 1    | 1    | 0    | 1      | 1      | 1      | 1      | 0      | 220.00 | 110.00    | 73.33     | 36.67     | Center +/- 0.25 |
| 0    | 1    | 1    | 1    | 0    | 1      | 1      | 1      | 1      | 1      | 222.00 | 111.00    | 74.00     | 37.00     | Center +/- 0.25 |



Table 1a. CPU PLL1 Turbo Rom (continued)

| FS4  | FS3  | FSL2 | FSL1 | FSL0 | CPUFS4 | CPUFS3 | CPUFS2 | CPUFS1 | CPUFS0 | CPU    | PCI-EX    | AGP       | PCI       | Spreading       |
|------|------|------|------|------|--------|--------|--------|--------|--------|--------|-----------|-----------|-----------|-----------------|
| B0b4 | B0b3 | B0b2 | B0b1 | B0b0 | B1bit4 | B1bit3 | B1bit2 | B1bit1 | B1bit0 | Mhz    | (default) | (default) | (default) | %               |
| 0    | 1    | 1    | 1    | 1    | 0      | 0      | 0      | 0      | 0      | N/A    | N/A       | N/A       | N/A       | Down Sp 0-0.5 % |
| 0    | 1    | 1    | 1    | 1    | 0      | 0      | 0      | 0      | 1      | N/A    | N/A       | N/A       | N/A       | Center +/- 0.25 |
| 0    | 1    | 1    | 1    | 1    | 0      | 0      | 0      | 1      | 0      | N/A    | N/A       | N/A       | N/A       | Center +/- 0.25 |
| 0    | 1    | 1    | 1    | 1    | 0      | 0      | 0      | 1      | 1      | N/A    | N/A       | N/A       | N/A       | Center +/- 0.25 |
| 0    | 1    | 1    | 1    | 1    | 0      | 0      | 1      | 0      | 0      | N/A    | N/A       | N/A       | N/A       | Center +/- 0.25 |
| 0    | 1    | 1    | 1    | 1    | 0      | 0      | 1      | 0      | 1      | N/A    | N/A       | N/A       | N/A       | Center +/- 0.25 |
| 0    | 1    | 1    | 1    | 1    | 0      | 0      | 1      | 1      | 0      | N/A    | N/A       | N/A       | N/A       | Center +/- 0.25 |
| 0    | 1    | 1    | 1    | 1    | 0      | 0      | 1      | 1      | 1      | N/A    | N/A       | N/A       | N/A       | Center +/- 0.25 |
| 0    | 1    | 1    | 1    | 1    | 0      | 1      | 0      | 0      | 0      | 200.00 | 100.00    | 66.67     | 33.33     | Down Sp 0-0.5 % |
| 0    | 1    | 1    | 1    | 1    | 0      | 1      | 0      | 0      | 1      | 202.00 | 101.00    | 67.33     | 33.67     | Center +/- 0.25 |
| 0    | 1    | 1    | 1    | 1    | 0      | 1      | 0      | 1      | 0      | 206.00 | 103.00    | 68.67     | 34.33     | Center +/- 0.25 |
| 0    | 1    | 1    | 1    | 1    | 0      | 1      | 0      | 1      | 1      | 210.00 | 105.00    | 70.00     | 35.00     | Center +/- 0.25 |
| 0    | 1    | 1    | 1    | 1    | 0      | 1      | 1      | 0      | 0      | 214.00 | 107.00    | 71.33     | 35.67     | Center +/- 0.25 |
| 0    | 1    | 1    | 1    | 1    | 0      | 1      | 1      | 0      | 1      | 218.00 | 109.00    | 72.67     | 36.33     | Center +/- 0.25 |
| 0    | 1    | 1    | 1    | 1    | 0      | 1      | 1      | 1      | 0      | 220.00 | 110.00    | 73.33     | 36.67     | Center +/- 0.25 |
| 0    | 1    | 1    | 1    | 1    | 0      | 1      | 1      | 1      | 1      | 222.00 | 111.00    | 74.00     | 37.00     | Center +/- 0.25 |
| 0    | 1    | 1    | 1    | 1    | 1      | 0      | 0      | 0      | 0      | 166.67 | 111.11    | 66.67     | 33.33     | Down Sp 0-0.5 % |
| 0    | 1    | 1    | 1    | 1    | 1      | 0      | 0      | 0      | 1      | 168.33 | 112.22    | 67.33     | 33.67     | Center +/- 0.25 |
| 0    | 1    | 1    | 1    | 1    | 1      | 0      | 0      | 1      | 0      | 171.66 | 114.44    | 68.67     | 34.33     | Center +/- 0.25 |
| 0    | 1    | 1    | 1    | 1    | 1      | 0      | 0      | 1      | 1      | 175.00 | 116.67    | 70.00     | 35.00     | Center +/- 0.25 |
| 0    | 1    | 1    | 1    | 1    | 1      | 0      | 1      | 0      | 0      | 178.33 | 118.89    | 71.33     | 35.67     | Center +/- 0.25 |
| 0    | 1    | 1    | 1    | 1    | 1      | 0      | 1      | 0      | 1      | 181.66 | 121.11    | 72.67     | 36.33     | Center +/- 0.25 |
| 0    | 1    | 1    | 1    | 1    | 1      | 0      | 1      | 1      | 0      | 183.33 | 122.22    | 73.33     | 36.67     | Center +/- 0.25 |
| 0    | 1    | 1    | 1    | 1    | 1      | 0      | 1      | 1      | 1      | 185.00 | 123.33    | 74.00     | 37.00     | Center +/- 0.25 |
| 0    | 1    | 1    | 1    | 1    | 1      | 1      | 0      | 0      | 0      | 200.00 | 100.00    | 66.67     | 33.33     | Down Sp 0-0.5 % |
| 0    | 1    | 1    | 1    | 1    | 1      | 1      | 0      | 0      | 1      | 202.00 | 101.00    | 67.33     | 33.67     | Center +/- 0.25 |
| 0    | 1    | 1    | 1    | 1    | 1      | 1      | 0      | 1      | 0      | 206.00 | 103.00    | 68.67     | 34.33     | Center +/- 0.25 |
| 0    | 1    | 1    | 1    | 1    | 1      | 1      | 0      | 1      | 1      | 210.00 | 105.00    | 70.00     | 35.00     | Center +/- 0.25 |
| 0    | 1    | 1    | 1    | 1    | 1      | 1      | 1      | 0      | 0      | 214.00 | 107.00    | 71.33     | 35.67     | Center +/- 0.25 |
| 0    | 1    | 1    | 1    | 1    | 1      | 1      | 1      | 0      | 1      | 218.00 | 109.00    | 72.67     | 36.33     | Center +/- 0.25 |
| 0    | 1    | 1    | 1    | 1    | 1      | 1      | 1      | 1      | 0      | 220.00 | 110.00    | 73.33     | 36.67     | Center +/- 0.25 |
| 0    | 1    | 1    | 1    | 1    | 1      | 1      | 1      | 1      | 1      | 222.00 | 111.00    | 74.00     | 37.00     | Center +/- 0.25 |

Table 1b. PLL2 AGP/PCI/SRC/PCI-EX Select

| B0b4 | B0b3 | B0b2 | PCI-EX   | AGP      | PCI    | Spread             |
|------|------|------|----------|----------|--------|--------------------|
| FS4  | FS3  | FSL2 | B5b6 = 1 | B5b7 = 1 | B5b7=1 | %                  |
| 0    | 0    | 0    | 100      | 66.66    | 33.33  | 0 to -0.5% Down    |
| 0    | 0    | 1    | 100      | 66.66    | 33.33  | 0 to -0.5% Down    |
| 0    | 1    | 0    | 100      | 66.66    | 33.33  | 0 to -0.5% Down    |
| 0    | 1    | 1    | 102.00   | 68.00    | 34.00  | Center SP +/- 0.25 |
| 1    | 0    | 0    | 102.00   | 68.00    | 34.00  | Center SP +/- 0.25 |
| 1    | 0    | 1    | 102.00   | 68.00    | 34.00  | Center SP +/- 0.25 |
| 1    | 1    | 0    | 100      | 66.66    | 33.33  | Center SP +/- 0.25 |
| 1    | 1    | 1    | 100      | 66.66    | 33.33  | Center SP +/- 0.25 |

## General I<sup>2</sup>C serial interface information for the ICS953002

### How to Write:

- Controller (host) sends a start bit.
- Controller (host) sends the write address D2<sub>(H)</sub>
- ICS clock will **acknowledge**
- Controller (host) sends the beginning byte location = N
- ICS clock will **acknowledge**
- Controller (host) sends the data byte count = X
- ICS clock will **acknowledge**
- Controller (host) starts sending **Byte N through Byte N + X - 1**
- ICS clock will **acknowledge** each byte **one at a time**
- Controller (host) sends a Stop bit

### How to Read:

- Controller (host) will send start bit.
- Controller (host) sends the write address D2<sub>(H)</sub>
- ICS clock will **acknowledge**
- Controller (host) sends the beginning byte location = N
- ICS clock will **acknowledge**
- Controller (host) will send a separate start bit.
- Controller (host) sends the read address D3<sub>(H)</sub>
- ICS clock will **acknowledge**
- ICS clock will send the data byte count = X
- ICS clock sends **Byte N + X - 1**
- ICS clock sends **Byte 0 through byte X (if X<sub>(H)</sub> was written to byte 8).**
- Controller (host) will need to acknowledge each byte
- Controller (host) will send a not acknowledge bit
- Controller (host) will send a stop bit

| Index Block Write Operation     |           |                      |
|---------------------------------|-----------|----------------------|
| Controller (Host)               |           | ICS (Slave/Receiver) |
| T                               | starT bit |                      |
| Slave Address D2 <sub>(H)</sub> |           |                      |
| WR                              | WRite     |                      |
|                                 |           | ACK                  |
| Beginning Byte = N              |           |                      |
|                                 |           | ACK                  |
| Data Byte Count = X             |           |                      |
|                                 |           | ACK                  |
| Beginning Byte N                |           | X Byte               |
| ○                               |           |                      |
| ○                               |           |                      |
| ○                               |           |                      |
| Byte N + X - 1                  |           |                      |
|                                 |           | ACK                  |
| P                               | stoP bit  |                      |

| Index Block Read Operation      |                 |                      |
|---------------------------------|-----------------|----------------------|
| Controller (Host)               |                 | ICS (Slave/Receiver) |
| T                               | starT bit       |                      |
| Slave Address D2 <sub>(H)</sub> |                 |                      |
| WR                              | WRite           |                      |
|                                 |                 | ACK                  |
| Beginning Byte = N              |                 |                      |
|                                 |                 | ACK                  |
| RT                              | Repeat starT    |                      |
| Slave Address D3 <sub>(H)</sub> |                 |                      |
| RD                              | ReaD            |                      |
|                                 |                 | ACK                  |
|                                 |                 | Data Byte Count = X  |
| ACK                             |                 |                      |
|                                 |                 | X Byte               |
| ACK                             |                 |                      |
| Beginning Byte N                |                 |                      |
| ○                               |                 |                      |
| ○                               |                 |                      |
|                                 |                 | Byte N + X - 1       |
| N                               | Not acknowledge |                      |
| P                               | stoP bit        |                      |



I<sup>2</sup>C Table: Device Control Register

| Byte 0 |   | Pin # | Name      | Control Function         | Type | 0  | 1      | PWD   |
|--------|---|-------|-----------|--------------------------|------|--|--------|-------|
| Bit 7  | - |       | FS Source | Frequency H/W IIC Select | RW   | Latch Inputs   | IIC    | 0     |
| Bit 6  | - |       | Reserved  | Reserved                 | RW   | -  | -      | 1     |
| Bit 5  | - |       | ROD       | Reset On Demand          | RW   | Disable  | Enable | 0     |
| Bit 4  | - |       | FS4       | Freq/Div Sel Bit 4       | RW   | See Table 1b: PLL2 AGP/PCI Frequency Selection Table |        | latch |
| Bit 3  | - |       | FS3       | Freq/Div Sel Bit 3       | RW   |  |        | latch |
| Bit 2  | - |       | FSL2      | Freq/Div Sel Bit 2       | RW   |  |        | latch |
| Bit 1  | - |       | FSL1      | Freq/Div Sel Bit 1       | RW   |  |        | latch |
| Bit 0  | - |       | FSL0      | Freq/Div Sel Bit 0       | RW   |  |        | latch |

I<sup>2</sup>C Table: Device Control Register

| Byte 1 |   | Pin # | Name           | Control Function           | Type | 0  | 1      | PWD |
|--------|---|-------|----------------|----------------------------|------|--|--------|-----|
| Bit 7  | - |       | SS_EN1         | PLL1 Spread Enable         | RW   | OFF  | ON     | 1   |
| Bit 6  | - |       | SS_EN2         | PLL2 Spread Enable         | RW   | OFF  | ON     | 1   |
| Bit 5  | - |       | M/N Enable bit | M/N Programming Enable bit | RW   | Disable  | Enable | 0   |
| Bit 4  | - |       | CPUFS4         | PLL1 VCO Sel b4            | RW   | See Table 1a: PLL1 Rom VCO Frequency Selection Table |        | X   |
| Bit 3  | - |       | CPUFS3         | PLL1 VCO Sel b3            | RW   |  |        | X   |
| Bit 2  | - |       | CPUFS2         | PLL1 VCO Sel b2            | RW   |  |        | 0   |
| Bit 1  | - |       | CPUFS1         | PLL1 VCO Sel b1            | RW   |  |        | 0   |
| Bit 0  | - |       | CPUFS0         | PLL1 VCO Sel b0            | RW   |  |        | 0   |

B1b[4:3] = 00 is invalid

I<sup>2</sup>C Table: Output Control Register

| Byte 2 |   | Pin # | Name    | Control Function | Type | 0       | 1      | PWD |
|--------|---|-------|---------|------------------|------|---------|--------|-----|
| Bit 7  | - |       | REF0    | Output Control   | RW   | Disable | Enable | 1   |
| Bit 6  | - |       | REF1    | Output Control   | RW   | Disable | Enable | 1   |
| Bit 5  | - |       | PCICLK0 | Output Control   | RW   | Disable | Enable | 1   |
| Bit 4  | - |       | PCICLK1 | Output Control   | RW   | Disable | Enable | 1   |
| Bit 3  | - |       | PCICLK2 | Output Control   | RW   | Disable | Enable | 1   |
| Bit 2  | - |       | PCICLK3 | Output Control   | RW   | Disable | Enable | 1   |
| Bit 1  | - |       | PCICLK4 | Output Control   | RW   | Disable | Enable | 1   |
| Bit 0  | - |       | PCICLK5 | Output Control   | RW   | Disable | Enable | 1   |

I<sup>2</sup>C Table: Output Control Register

| Byte 3 |   | Pin # | Name        | Control Function | Type | 0            | 1                           | PWD   |
|--------|---|-------|-------------|------------------|------|--------------|-----------------------------|-------|
| Bit 7  | - |       | 48MHz       | Output Control   | RW   | Disable      | Enable                      | 1     |
| Bit 6  | - |       | 24_48MHz    | Output Control   | RW   | Disable      | Enable                      | 1     |
| Bit 5  | - |       | 3V66_2      | Output Control   | RW   | Disable      | Enable                      | 1     |
| Bit 4  | - |       | 3V66_1      | Output Control   | RW   | Disable      | Enable                      | 1     |
| Bit 3  | - |       | 3V66_0      | Output Control   | RW   | Disable      | Enable                      | 1     |
| Bit 2  | - |       | SEL24_48MHz | Output Select    | RW   | 48MHz        | 24MHz                       | Latch |
| Bit 1  | - |       | ITP_EN      | Output Select    | RW   | PCIEXCLKT/C0 | CPUCLKT/C2                  | Latch |
| Bit 0  | - |       | Mode 0      | Output Select    | RW   | PCIEXCLKT/C5 | CPU_STOP/PCI_P<br>CIEX_STOP | Latch |



I<sup>2</sup>C Table: Output Control Register

| Byte 4 |   | Pin # | Name           | Control Function | Type | 0       | 1      | PWD |
|--------|---|-------|----------------|------------------|------|---------|--------|-----|
| Bit 7  | - | -     | PCIEXCLKT/C5   | Output Control   | RW   | Disable | Enable | 1   |
| Bit 6  | - | -     | PCIEXCLKT/C4   | Output Control   | RW   | Disable | Enable | 1   |
| Bit 5  | - | -     | PCIEXCLKT/C3   | Output Control   | RW   | Disable | Enable | 1   |
| Bit 4  | - | -     | PCIEXCLKT/C2   | Output Control   | RW   | Disable | Enable | 1   |
| Bit 3  | - | -     | PCIEXCLKT/C1   | Output Control   | RW   | Disable | Enable | 1   |
| Bit 2  | - | -     | CPUCLK2/PCIEX0 | Output Control   | RW   | Disable | Enable | 1   |
| Bit 1  | - | -     | CPUCLKT/C1     | Output Control   | RW   | Disable | Enable | 1   |
| Bit 0  | - | -     | CPUCLKT/C0     | Output Control   | RW   | Disable | Enable | 1   |

I<sup>2</sup>C Table: Device Control Register

| Byte 5 |   | Pin # | Name              | Control Function                 | Type | 0              | 1              | PWD |
|--------|---|-------|-------------------|----------------------------------|------|----------------|----------------|-----|
| Bit 7  | - | -     | AGP/PCI PLL Cntrl | AGP/PCI PLL Source               | RW   | PLL1           | PLL2           | 0   |
| Bit 6  | - | -     | PCIEX PLL Cntrl   | PCIEX PLL Source                 | RW   | PLL1           | PLL2           | 0   |
| Bit 5  | - | -     | Reserved          | Reserved                         | RW   | -              | -              | 1   |
| Bit 4  | - | -     | Reserved          | Reserved                         | RW   | -              | -              | 1   |
| Bit 3  | - | -     | ASYNC1            | 3V66/PCI Async Freq<br>Prog bits | RW   | 00 = PLL1/2    | 10 = 75.4/37.7 | 0   |
| Bit 2  | - | -     | ASYNC0            |                                  | RW   | 01 = 66.0/33.0 | 11 = 88.0/44.0 | 0   |
| Bit 1  | - | -     | Reserved          | Reserved                         | RW   | -              | -              | 1   |
| Bit 0  | - | -     | Reserved          | Reserved                         | RW   | -              | -              | 1   |

I<sup>2</sup>C Table: Reserved Register

| Byte 6 |   | Pin # | Name     | Control Function | Type | 0 | 1 | PWD |
|--------|---|-------|----------|------------------|------|---|---|-----|
| Bit 7  | - | -     | Reserved | Reserved         | RW   | - | - | 0   |
| Bit 6  | - | -     | Reserved | Reserved         | RW   | - | - | 0   |
| Bit 5  | - | -     | Reserved | Reserved         | RW   | - | - | 0   |
| Bit 4  | - | -     | Reserved | Reserved         | RW   | - | - | 0   |
| Bit 3  | - | -     | Reserved | Reserved         | RW   | - | - | 0   |
| Bit 2  | - | -     | Reserved | Reserved         | RW   | - | - | 0   |
| Bit 1  | - | -     | Reserved | Reserved         | RW   | - | - | 0   |
| Bit 0  | - | -     | Reserved | Reserved         | RW   | - | - | 0   |

I<sup>2</sup>C Table: Vendor ID Register

| Byte 7 |   | Pin # | Name   | Control Function | Type | 0          | 1 | PWD |
|--------|---|-------|--------|------------------|------|------------|---|-----|
| Bit 7  | - | -     | REVID3 | Revision ID      | R    | -          | - | 0   |
| Bit 6  | - | -     | REVID2 | Revision ID      | R    | -          | - | 0   |
| Bit 5  | - | -     | REVID1 | Revision ID      | R    | -          | - | 0   |
| Bit 4  | - | -     | REVID0 | Revision ID      | R    | -          | - | 0   |
| Bit 3  | - | -     | VID3   | Vendor ID        | R    | -          | - | 0   |
| Bit 2  | - | -     | VID2   | Vendor ID        | R    | -          | - | 0   |
| Bit 1  | - | -     | VID1   | Vendor ID        | R    | -          | - | 0   |
| Bit 0  | - | -     | VID0   | Vendor ID        | R    | 0001 = ICS | - | 1   |



I<sup>2</sup>C Table: Byte Count Register

| Byte 8 |   | Pin # | Name | Control Function              | Type | 0   | 1 | PWD |
|--------|---|-------|------|-------------------------------|------|---|---|-----|
| Bit 7  | - |       | BC7  | Byte Count Programming b(7:0) | RW   | Writing to this register will configure how many bytes will be read back, default is 0F = 15 bytes. |   | 0   |
| Bit 6  | - |       | BC6  |                               | RW   |   |   | 0   |
| Bit 5  | - |       | BC5  |                               | RW   |   |   | 0   |
| Bit 4  | - |       | BC4  |                               | RW   |   |   | 0   |
| Bit 3  | - |       | BC3  |                               | RW   |   |   | 1   |
| Bit 2  | - |       | BC2  |                               | RW   |   |   | 1   |
| Bit 1  | - |       | BC1  |                               | RW   |   |   | 1   |
| Bit 0  | - |       | BC0  |                               | RW   |   |   | 1   |

I<sup>2</sup>C Table: WD Time Control Register

| Byte 9 |   | Pin # | Name            | Control Function            | Type | 0   | 1           | PWD |
|--------|---|-------|-----------------|-----------------------------|------|---|-------------|-----|
| Bit 7  | - |       | WDEN            | Watchdog Enable             | RW   | Disable   | Enable      | 0   |
| Bit 6  | - |       | WDSSEN          | Watchdog Soft Reset Enable  | RW   | Disable   | Enable      | 0   |
| Bit 5  | - |       | WD Alarm Status | WD Alarm Status             | R    | Normal  | Alarm       | x   |
| Bit 4  | - |       | WD Soft Status  | WD Soft Reset Status        | R    | Normal  | Alarm       | x   |
| Bit 3  | - |       | WDTCtrl         | Watch Dog Time base Control | RW   | 290ms Base  | 1160ms Base | 0   |
| Bit 2  | - |       | WD2             | WD Timer Bit 2              | RW   | These bits represent X*290ms (or 1.16S) the watchdog timer waits before it goes to alarm mode. Default is 7 X 290ms = 2s. |             | 1   |
| Bit 1  | - |       | WD1             | WD Timer Bit 1              | RW   |   |             | 1   |
| Bit 0  | - |       | WD0             | WD Timer Bit 0              | RW   |   |             | 1   |

I<sup>2</sup>C Table: M/N Programming & WD Safe Frequency Control Register

| Byte 10 |   | Pin # | Name                | Control Function                     | Type | 0  | 1            | PWD |
|---------|---|-------|---------------------|--------------------------------------|------|--|--------------|-----|
| Bit 7   | - |       | Reserved            | Reserved                             | RW   | -  | -            | 1   |
| Bit 6   | - |       | Reserved            | Reserved                             | RW   | -  | -            | 1   |
| Bit 5   | - |       | WD Safe Freq Source | WD Safe Freq Source                  | RW   | B10b(4:0)  | Latch Inputs | 0   |
| Bit 4   | - |       | WD SF4              | Watch Dog Safe Freq Programming bits | RW   | Writing to these bit will configure the safe frequency as Byte0 bit (4:0). |              | 0   |
| Bit 3   | - |       | WD SF3              |                                      | RW   |  |              | 0   |
| Bit 2   | - |       | WD SF2              |                                      | RW   |  |              | 0   |
| Bit 1   | - |       | WD SF1              |                                      | RW   |  |              | 0   |
| Bit 0   | - |       | WD SF0              |                                      | RW   |  |              | 0   |

I<sup>2</sup>C Table: PLL1 Frequency Control Register

| Byte 11 |   | Pin # | Name   | Control Function           | Type | 0   | 1 | PWD |
|---------|---|-------|--------|----------------------------|------|---|---|-----|
| Bit 7   | - |       | N Div8 | N Divider Prog bit 8       | RW   | The decimal representation of M and N Divider in Byte 11 and 12 will configure the PLL1 VCO frequency. Default at power up = latch-in or Byte 0 Rom table.<br>VCO Frequency = $14.318 \times \frac{[NDiv(9:0)+8]}{[MDiv(5:0)+2]}$ |   | X   |
| Bit 6   | - |       | N Div9 | N Divider Prog bit 9       | RW   |   |   | X   |
| Bit 5   | - |       | M Div5 | M Divider Programming bits | RW   |   |   | X   |
| Bit 4   | - |       | M Div4 |                            | RW   |   |   | X   |
| Bit 3   | - |       | M Div3 |                            | RW   |   |   | X   |
| Bit 2   | - |       | M Div2 |                            | RW   |   |   | X   |
| Bit 1   | - |       | M Div1 |                            | RW   |   |   | X   |
| Bit 0   | - |       | M Div0 |                            | RW   |   |   | X   |





I<sup>2</sup>C Table: PLL1 Frequency Control Register

| Byte 12 |   | Pin # | Name   | Control Function                | Type | 0  |  | 1 |  | PWD |
|---------|---|-------|--------|---------------------------------|------|--|--|---|--|-----|
| Bit 7   | - | -     | N Div7 | N Divider Programming<br>b(7:0) | RW   | The decimal representation of M and N<br>Divier in Byte 11 and 12 will configure the<br>PLL1 VCO frequency. Default at power<br>up = latch-in or Byte 0 Rom table.<br>VCO Frequency = $14.318 \times [\text{NDiv}(9:0)+8]$<br>/ $[\text{MDiv}(5:0)+2]$ |  |   |  | X   |
| Bit 6   | - | -     | N Div6 |                                 | RW   |  |  |   |  | X   |
| Bit 5   | - | -     | N Div5 |                                 | RW   |  |  |   |  | X   |
| Bit 4   | - | -     | N Div4 |                                 | RW   |  |  |   |  | X   |
| Bit 3   | - | -     | N Div3 |                                 | RW   |  |  |   |  | X   |
| Bit 2   | - | -     | N Div2 |                                 | RW   |  |  |   |  | X   |
| Bit 1   | - | -     | N Div1 |                                 | RW   |  |  |   |  | X   |
| Bit 0   | - | -     | N Div0 |                                 | RW   |  |  |   |  | X   |

I<sup>2</sup>C Table: PLL1 Spread Spectrum Control Register

| Byte 13 |   | Pin # | Name | Control Function                      | Type | 0   |  | 1 |  | PWD |
|---------|---|-------|------|---------------------------------------|------|---|--|---|--|-----|
| Bit 7   | - | -     | SSP7 | Spread Spectrum<br>Programming b(7:0) | RW   | These Spread Spectrum bits in Byte 13<br>and 14 will program the spread percentage<br>of PLL1 |  |   |  | X   |
| Bit 6   | - | -     | SSP6 |                                       | RW   |   |  |   |  | X   |
| Bit 5   | - | -     | SSP5 |                                       | RW   |   |  |   |  | X   |
| Bit 4   | - | -     | SSP4 |                                       | RW   |   |  |   |  | X   |
| Bit 3   | - | -     | SSP3 |                                       | RW   |   |  |   |  | X   |
| Bit 2   | - | -     | SSP2 |                                       | RW   |   |  |   |  | X   |
| Bit 1   | - | -     | SSP1 |                                       | RW   |   |  |   |  | X   |
| Bit 0   | - | -     | SSP0 |                                       | RW   |   |  |   |  | X   |

I<sup>2</sup>C Table: PLL1 Spread Spectrum Control Register

| Byte 14 |   | Pin # | Name     | Control Function                       | Type | 0   |   | 1 |   | PWD |
|---------|---|-------|----------|--|------|---|---|---|---|-----|
| Bit 7   | - | -     | Reserved | Reserved                               | R    | -   | - |   | 0 |     |
| Bit 6   | - | -     | SSP14    | Spread Spectrum<br>Programming b(14:8) | RW   | These Spread Spectrum bits in Byte 13<br>and 14 will program the spread percentage<br>of PLL1 |   |   |   | X   |
| Bit 5   | - | -     | SSP13    |  | RW   |   |   |   |   | X   |
| Bit 4   | - | -     | SSP12    |  | RW   |   |   |   |   | X   |
| Bit 3   | - | -     | SSP11    |  | RW   |   |   |   |   | X   |
| Bit 2   | - | -     | SSP10    |  | RW   |   |   |   |   | X   |
| Bit 1   | - | -     | SSP9     |  | RW   |   |   |   |   | X   |
| Bit 0   | - | -     | SSP8     |  | RW   |   |   |   |   | X   |

I<sup>2</sup>C Table: Output Divider Control Register

| Byte 15 |   | Pin # | Name        | Control Function                                   | Type | 0       |          | 1        |          | PWD |
|---------|---|-------|-------------|--|------|---------|----------|----------|----------|-----|
| Bit 7   | - | -     | CPUDiv3     | CPU Divider Ratio<br>Programmaing Bits             | RW   | 0000:/2 | 0100:/4  | 1000:/8  | 1100:/16 | X   |
| Bit 6   | - | -     | CPUDiv2     |  | RW   | 0001:/3 | 0101:/6  | 1001:/12 | 1101:/24 | X   |
| Bit 5   | - | -     | CPUDiv1     |  | RW   | 0010:/5 | 0110:/10 | 1010:/20 | 1110:/40 | X   |
| Bit 4   | - | -     | CPUDiv0     |  | RW   | 0011:/7 | 0111:/14 | 1011:/28 | 1111:/56 | X   |
| Bit 3   | - | -     | AGP/PCIDiv3 | AGP/PCI Divider Ratio<br>Programmaing Bits<br>PLL2 | RW   | 0000:/2 | 0100:/4  | 1000:/8  | 1100:/16 | X   |
| Bit 2   | - | -     | AGP/PCIDiv2 |  | RW   | 0001:/3 | 0101:/6  | 1001:/12 | 1101:/24 | X   |
| Bit 1   | - | -     | AGP/PCIDiv1 |  | RW   | 0010:/5 | 0110:/10 | 1010:/20 | 1110:/40 | X   |
| Bit 0   | - | -     | AGP/PCIDiv0 |  | RW   | 0011:/7 | 0111:/14 | 1011:/28 | 1111:/56 | X   |



**I<sup>2</sup>C Table: Output Divider Control Register**

| Byte 16 |   | Pin # | Name        | Control Function                                  | Type | 0       |          | 1        |          | PWD |
|---------|---|-------|-------------|---|------|---------|----------|----------|----------|-----|
| Bit 7   | - | -     | Reserved    | Reserved  | RW   | -       | -        | -        | -        | 1   |
| Bit 6   | - | -     | Reserved    | Reserved  | RW   | -       | -        | -        | -        | 1   |
| Bit 5   | - | -     | Reserved    | Reserved  | RW   | -       | -        | -        | -        | 1   |
| Bit 4   | - | -     | Reserved    | Reserved  | RW   | -       | -        | -        | -        | 1   |
| Bit 3   | - | -     | AGP/PCIDiv3 | AGP/PCI Divider Ratio<br>Programming Bits<br>PLL1 | RW   | 0000:/4 | 0100:/8  | 1000:/16 | 1100:/32 | X   |
| Bit 2   | - | -     | AGP/PCIDiv2 |   | RW   | 0001:/3 | 0101:/6  | 1001:/12 | 1101:/24 | X   |
| Bit 1   | - | -     | AGP/PCIDiv1 |   | RW   | 0010:/5 | 0110:/10 | 1010:/20 | 1110:/40 | X   |
| Bit 0   | - | -     | AGP/PCIDiv0 |   | RW   | 0011:/9 | 0111:/18 | 1011:/36 | 1111:/72 | X   |

**I<sup>2</sup>C Table: PLL2 Frequency Control Register**

| Byte 17 |   | Pin # | Name   | Control Function              | Type | 0   |  | 1 |  | PWD |
|---------|---|-------|--------|-------------------------------|------|---|--|---|--|-----|
| Bit 7   | - | -     | N Div8 | N Divider Prog bit 8          | RW   | The decimal representation of M and N<br>Divider in Byte 17 and 18 will configure the<br>PLL2 VCO frequency. Default at power<br>up = latch-in or Byte 0 Rom table.<br>VCO Frequency = $14.318 \times [N\text{Div}(9:0)+8]$<br>/ $[M\text{Div}(5:0)+2]$ |  |   |  | X   |
| Bit 6   | - | -     | N Div9 | N Divider Prog bit 9          | RW   |   |  |   |  | X   |
| Bit 5   | - | -     | M Div5 | M Divider<br>Programming bits | RW   |   |  |   |  | X   |
| Bit 4   | - | -     | M Div4 |                               | RW   |   |  |   |  | X   |
| Bit 3   | - | -     | M Div3 |                               | RW   |   |  |   |  | X   |
| Bit 2   | - | -     | M Div2 |                               | RW   |   |  |   |  | X   |
| Bit 1   | - | -     | M Div1 | RW                            | X    |   |  |   |  |     |
| Bit 0   | - | -     | M Div0 | RW                            | X    |   |  |   |  |     |

**I<sup>2</sup>C Table: PLL2 Frequency Control Register**

| Byte 18 |   | Pin # | Name   | Control Function                | Type | 0   |  | 1 |  | PWD |
|---------|---|-------|--------|---------------------------------|------|---|--|---|--|-----|
| Bit 7   | - | -     | N Div7 | N Divider Programming<br>b(7:0) | RW   | The decimal representation of M and N<br>Divider in Byte 17 and 18 will configure the<br>PLL2 VCO frequency. Default at power<br>up = latch-in or Byte 0 Rom table.<br>VCO Frequency = $14.318 \times [N\text{Div}(9:0)+8]$<br>/ $[M\text{Div}(5:0)+2]$ |  |   |  | X   |
| Bit 6   | - | -     | N Div6 |                                 | RW   |   |  |   |  | X   |
| Bit 5   | - | -     | N Div5 |                                 | RW   |   |  |   |  | X   |
| Bit 4   | - | -     | N Div4 |                                 | RW   |   |  |   |  | X   |
| Bit 3   | - | -     | N Div3 |                                 | RW   |   |  |   |  | X   |
| Bit 2   | - | -     | N Div2 |                                 | RW   |   |  |   |  | X   |
| Bit 1   | - | -     | N Div1 |                                 | RW   |   |  |   |  | X   |
| Bit 0   | - | -     | N Div0 |                                 | RW   |   |  |   |  | X   |

**I<sup>2</sup>C Table: PLL2 Spread Spectrum Control Register**

| Byte 19 |   | Pin # | Name | Control Function                      | Type | 0   |  | 1 |  | PWD |
|---------|---|-------|------|---------------------------------------|------|---|--|---|--|-----|
| Bit 7   | - | -     | SSP7 | Spread Spectrum<br>Programming b(7:0) | RW   | These Spread Spectrum bits in Byte 19<br>and 20 will program the spread percentage<br>of PLL2 |  |   |  | X   |
| Bit 6   | - | -     | SSP6 |                                       | RW   |   |  |   |  | X   |
| Bit 5   | - | -     | SSP5 |                                       | RW   |   |  |   |  | X   |
| Bit 4   | - | -     | SSP4 |                                       | RW   |   |  |   |  | X   |
| Bit 3   | - | -     | SSP3 |                                       | RW   |   |  |   |  | X   |
| Bit 2   | - | -     | SSP2 |                                       | RW   |   |  |   |  | X   |
| Bit 1   | - | -     | SSP1 |                                       | RW   |   |  |   |  | X   |
| Bit 0   | - | -     | SSP0 |                                       | RW   |   |  |   |  | X   |



I<sup>2</sup>C Table: PLL2 Spread Spectrum Control Register

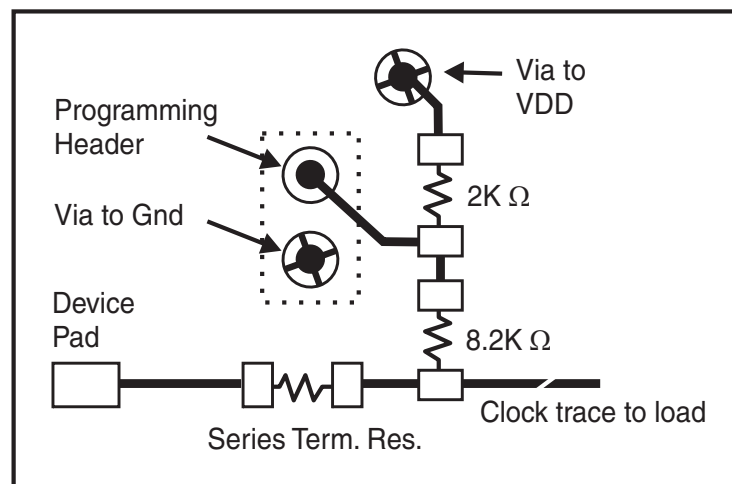
| Byte 20 | Pin # | Name     | Control Function                    | Type | 0   | 1 | PWD |
|---------|-------|----------|-------------------------------------|------|---|---|-----|
| Bit 7   | -     | Reserved | Reserved                            | R    | -   | - | 0   |
| Bit 6   | -     | SSP14    | Spread Spectrum Programming b(14:8) | RW   | These Spread Spectrum bits in Byte 19 and 20 will program the spread percentage of PLL2 |   | X   |
| Bit 5   | -     | SSP13    |                                     | RW   |   |   | X   |
| Bit 4   | -     | SSP12    |                                     | RW   |   |   | X   |
| Bit 3   | -     | SSP11    |                                     | RW   |   |   | X   |
| Bit 2   | -     | SSP10    |                                     | RW   |   |   | X   |
| Bit 1   | -     | SSP9     |                                     | RW   |   |   | X   |
| Bit 0   | -     | SSP8     |                                     | RW   |   |   | X   |

## Shared Pin Operation - Input/Output Pins

The I/O pins designated by (input/output) serve as dual signal functions to the device. During initial power-up, they act as input pins. The logic level (voltage) that is present on these pins at this time is read and stored into a 5-bit internal data latch. At the end of Power-On reset, (see AC characteristics for timing values), the device changes the mode of operations for these pins to an output function. In this mode the pins produce the specified buffered clocks to external loads.

To program (load) the internal configuration register for these pins, a resistor is connected to either the VDD (logic 1) power supply or the GND (logic 0) voltage potential. A 10 Kilohm (10K) resistor is used to provide both the solid CMOS programming voltage needed during the power-up programming period and to provide an insignificant load on the output clock during the subsequent operating period.

Figure 1 shows a means of implementing this function when a switch or 2 pin header is used. With no jumper is installed the pin will be pulled high. With the jumper in place the pin will be pulled low. If programmability is not necessary, than only a single resistor is necessary. The programming resistors should be located close to the series termination resistor to minimize the current loop area. It is more important to locate the series termination resistor close to the driver than the programming resistor.



**Fig. 1**

### Absolute Maximum Rating

| PARAMETER                       | SYMBOL               | CONDITIONS | MIN       | TYP | MAX                    | UNITS | Notes |
|---------------------------------|----------------------|------------|-----------|-----|------------------------|-------|-------|
| 3.3V Core Supply Voltage        | VDD_A                | -          |           |     | V <sub>DD</sub> + 0.5V | V     | 1     |
| 3.3V Logic Input Supply Voltage | VDD_In               | -          | GND - 0.5 |     | V <sub>DD</sub> + 0.5V | V     | 1     |
| Storage Temperature             | T <sub>s</sub>       | -          | -65       |     | 150                    | °C    | 1     |
| Ambient Operating Temp          | T <sub>ambient</sub> | -          | 0         |     | 70                     | °C    | 1     |
| Case Temperature                | T <sub>case</sub>    | -          |           |     | 115                    | °C    | 1     |
| Input ESD protection HBM        | ESD prot             | -          | 2000      |     |                        | V     | 1     |

<sup>1</sup>Guaranteed by design and characterization, not 100% tested in production.

### Electrical Characteristics - Input/Supply/Common Output Parameters

| PARAMETER                                  | SYMBOL               | CONDITIONS*   | MIN                   | TYP      | MAX                   | UNITS | Notes |
|--|----------------------|---|-----------------------|----------|-----------------------|-------|-------|
| Input High Voltage                         | V <sub>IH</sub>      | 3.3 V +/-5%   | 2                     |          | V <sub>DD</sub> + 0.3 | V     | 1     |
| Input Low Voltage                          | V <sub>IL</sub>      | 3.3 V +/-5%   | V <sub>SS</sub> - 0.3 |          | 0.8                   | V     | 1     |
| Input High Current                         | I <sub>IH</sub>      | V <sub>IN</sub> = V <sub>DD</sub>                                 | -5                    |          | 5                     | uA    | 1     |
| Input Low Current                          | I <sub>IL1</sub>     | V <sub>IN</sub> = 0 V; Inputs with no pull-up resistors           | -5                    |          |                       | uA    | 1     |
|  | I <sub>IL2</sub>     | V <sub>IN</sub> = 0 V; Inputs with pull-up resistors              | -200                  |          |                       | uA    | 1     |
| Low Threshold Input-High Voltage           | V <sub>IH_FS</sub>   | 3.3 V +/-5%   | 0.7                   |          | V <sub>DD</sub> + 0.3 | V     | 1     |
| Low Threshold Input-Low Voltage            | V <sub>IL_FS</sub>   | 3.3 V +/-5%   | V <sub>SS</sub> - 0.3 |          | 0.35                  | V     | 1     |
| Operating Supply Current                   | I <sub>DD3.3OP</sub> | Full Active, C <sub>L</sub> = Full load;                          |                       |          | 350                   | mA    | 1     |
| Operating Current                          | I <sub>DD3.3OP</sub> | all outputs driven  |                       |          | 400                   | mA    | 1     |
| Powerdown Current                          | I <sub>DD3.3PD</sub> | all diff pairs driven   |                       |          | 70                    | mA    | 1     |
|  |                      | all differential pairs tri-stated                                 |                       |          | 12                    | mA    | 1     |
| Input Frequency                            | F <sub>i</sub>       | V <sub>DD</sub> = 3.3 V   |                       | 14.31818 |                       | MHz   | 2     |
| Pin Inductance                             | L <sub>pin</sub>     |   |                       |          | 7                     | nH    | 1     |
| Input Capacitance                          | C <sub>IN</sub>      | Logic Inputs  |                       |          | 5                     | pF    | 1     |
|  | C <sub>OUT</sub>     | Output pin capacitance  |                       |          | 6                     | pF    | 1     |
|  | C <sub>INX</sub>     | X1 & X2 pins  |                       |          | 5                     | pF    | 1     |
| Clk Stabilization                          | T <sub>STAB</sub>    | From V <sub>DD</sub> Power-Up or de-assertion of PD# to 1st clock |                       |          | 1.8                   | ms    | 1     |
| Modulation Frequency                       |                      | Triangular Modulation   | 30                    |          | 33                    | kHz   | 1     |
| Tdrive_PD#                                 |                      | CPU output enable after PD# de-assertion                          |                       |          | 300                   | us    | 1     |
| Tfall_Pd#                                  |                      | PD# fall time of  |                       |          | 5                     | ns    | 1     |
| Trise_Pd#                                  |                      | PD# rise time of  |                       |          | 5                     | ns    | 1     |
| SMBus Voltage                              | V <sub>DD</sub>      |   | 2.7                   |          | 5.5                   | V     | 1     |
| Low-level Output Voltage                   | V <sub>OL</sub>      | @ I <sub>PULLUP</sub>   |                       |          | 0.4                   | V     | 1     |
| Current sinking at V <sub>OL</sub> = 0.4 V | I <sub>PULLUP</sub>  |   | 4                     |          |                       | mA    | 1     |
| SCLK/SDATA Clock/Data Rise Time            | T <sub>RI2C</sub>    | (Max V <sub>IL</sub> - 0.15) to (Min V <sub>IH</sub> + 0.15)      |                       |          | 1000                  | ns    | 1     |
| SCLK/SDATA Clock/Data Fall Time            | T <sub>FI2C</sub>    | (Min V <sub>IH</sub> + 0.15) to (Max V <sub>IL</sub> - 0.15)      |                       |          | 300                   | ns    | 1     |

\*TA = 0 - 70°C; Supply Voltage VDD = 3.3 V +/-5%

<sup>1</sup>Guaranteed by design and characterization, not 100% tested in production.

<sup>2</sup>Input frequency should be measured at the REF pin and tuned to ideal 14.31818MHz to meet ppm frequency accuracy on PLL outputs.

**Electrical Characteristics - CPUCLKT/C -- 0.7V Current Mode Differential Pair**

| PARAMETER                       | SYMBOL               | CONDITIONS*  | MIN    | TYP | MAX     | UNITS    | NOTES |
|---------------------------------|----------------------|--|--------|-----|---------|----------|-------|
| Current Source Output Impedance | Zo                   | $V_O = V_x$  | 3000   |     |         | $\Omega$ | 1     |
| Voltage High                    | VHigh                | Statistical measurement on single ended signal           | 660    |     | 850     | mV       | 1,3   |
| Voltage Low                     | VLow                 |  | -150   |     | 150     | mV       | 1,3   |
| Max Voltage                     | Vovs                 | Measurement on single ended signal using absolute value. |        |     | 1150    | mV       | 1     |
| Min Voltage                     | Vuds                 |  | -300   |     |         | mV       | 1     |
| Crossing Voltage (abs)          | Vx(abs)              |  | 250    |     | 550     | mV       | 1     |
| Crossing Voltage (var)          | d-Vx                 | Variation of crossing over all edges                     |        |     | 140     | mV       | 1     |
| Long Accuracy                   | ppm                  | see Tperiod min-max values                               | -300   |     | 300     | ppm      | 1,2   |
| Average period                  | Tperiod              | 400MHz nominal   | 2.4993 |     | 2.5008  | ns       | 2     |
|                                 |                      | 400MHz spread  | 2.4993 |     | 2.5133  | ns       | 2     |
|                                 |                      | 333.33MHz nominal  | 2.9991 |     | 3.0009  | ns       | 2     |
|                                 |                      | 333.33MHz spread   | 2.9991 |     | 3.016   | ns       | 2     |
|                                 |                      | 266.66MHz nominal  | 3.7489 |     | 3.7511  | ns       | 2     |
|                                 |                      | 266.66MHz spread   | 3.7489 |     | 3.77    | ns       | 2     |
|                                 |                      | 200MHz nominal   | 4.9985 |     | 5.0015  | ns       | 2     |
|                                 |                      | 200MHz spread  | 4.9985 |     | 5.0266  | ns       | 2     |
|                                 |                      | 166.66MHz nominal  | 5.9982 |     | 6.0018  | ns       | 2     |
|                                 |                      | 166.66MHz spread   | 5.9982 |     | 6.0320  | ns       | 2     |
|                                 |                      | 133.33MHz nominal  | 7.4978 |     | 7.5023  | ns       | 2     |
|                                 |                      | 133.33MHz spread   | 7.4978 |     | 7.5400  | ns       | 2     |
|                                 |                      | 100.00MHz nominal  | 9.9970 |     | 10.0030 | ns       | 2     |
|                                 |                      | 100.00MHz spread   | 9.9970 |     | 10.0533 | ns       | 2     |
| Absolute min period             | T <sub>absmin</sub>  | 400MHz nominal/spread                                    | 2.4143 |     |         | ns       | 1,2   |
|                                 |                      | 333.33MHz nominal/spread                                 | 2.9141 |     |         | ns       | 1,2   |
|                                 |                      | 266.66MHz nominal/spread                                 | 3.6639 |     |         | ns       | 1,2   |
|                                 |                      | 200MHz nominal/spread                                    | 4.8735 |     |         | ns       | 1,2   |
|                                 |                      | 166.66MHz nominal/spread                                 | 5.8732 |     |         | ns       | 1,2   |
|                                 |                      | 133.33MHz nominal/spread                                 | 7.3728 |     |         | ns       | 1,2   |
|                                 |                      | 100.00MHz nominal/spread                                 | 9.8720 |     |         | ns       | 1,2   |
| Rise Time                       | t <sub>r</sub>       | $V_{OL} = 0.175V, V_{OH} = 0.525V$                       | 175    |     | 700     | ps       | 1     |
| Fall Time                       | t <sub>f</sub>       | $V_{OH} = 0.525V, V_{OL} = 0.175V$                       | 175    |     | 700     | ps       | 1     |
| Rise Time Variation             | d-t <sub>r</sub>     | $V_{OL} = 0.175V, V_{OH} = 0.525V$                       |        |     | 125     | ps       | 1     |
| Fall Time Variation             | d-t <sub>f</sub>     | $V_{OH} = 0.525V, V_{OL} = 0.175V$                       |        |     | 125     | ps       | 1     |
| Duty Cycle                      | d <sub>13</sub>      | Measurement from differential waveform                   | 45     |     | 55      | %        | 1     |
| Skew                            | t <sub>sk3</sub>     | CPU(1:0), V <sub>T</sub> = 50%                           |        |     | 100     | ps       | 1     |
| Skew                            | t <sub>sk4</sub>     | CPU(1:0) to CPU2_ITP, V <sub>T</sub> = 50%               |        |     | 150     | ps       | 1     |
| Jitter, Cycle to cycle          | t <sub>jcy-cyc</sub> | Measurement from differential waveform (CPU2_ITP)        |        |     | 125     | ps       | 1     |
| Jitter, Cycle to cycle          | t <sub>jcy-cyc</sub> | Measurement from differential waveform. (CPU(1:0))       |        |     | 85      | ps       | 1     |

\*T<sub>A</sub> = 0 - 70°C; V<sub>DD</sub> = 3.3 V +/-5%; C<sub>L</sub> =2pF, R<sub>S</sub>=33.2 $\Omega$ , R<sub>P</sub>=49.9 $\Omega$ , I<sub>REF</sub> = 475 $\Omega$

<sup>1</sup>Guaranteed by design and characterization, not 100% tested in production.

<sup>2</sup>All Long Term Accuracy and Clock Period specifications are guaranteed assuming that REFOUT is at 14.31818MHz

<sup>3</sup>I<sub>REF</sub> = V<sub>DD</sub>/(3xR<sub>R</sub>). For R<sub>R</sub> = 475 $\Omega$  (1%), I<sub>REF</sub> = 2.32mA. I<sub>OH</sub> = 6 x I<sub>REF</sub> and V<sub>OH</sub> = 0.7V @ Z<sub>O</sub>=50 $\Omega$ .

**Electrical Characteristics - SRC/SATA/PCIEX 0.7V Current Mode Differential Pair**

| PARAMETER                       | SYMBOL               | CONDITIONS*  | MIN    | TYP | MAX     | UNITS    | Notes |
|---------------------------------|----------------------|--|--------|-----|---------|----------|-------|
| Current Source Output Impedance | Zo                   | $V_O = V_x$  | 3000   |     |         | $\Omega$ | 1     |
| Voltage High                    | VHigh                | Statistical measurement on single ended signal           | 660    |     | 850     | mV       | 1,3   |
| Voltage Low                     | VLow                 |  | -150   |     | 150     | mV       | 1,3   |
| Max Voltage                     | Vovs                 | Measurement on single ended signal using absolute value. |        |     | 1150    | mV       | 1     |
| Min Voltage                     | Vuds                 |  | -300   |     |         | mV       | 1     |
| Crossing Voltage (abs)          | Vx(abs)              |  | 250    |     | 550     | mV       | 1     |
| Crossing Voltage (var)          | d-Vx                 | Variation of crossing over all edges                     |        |     | 140     | mV       | 1     |
| Long Accuracy                   | ppm                  | see Tperiod min-max values                               | -300   |     | 300     | ppm      | 1,2   |
| Average period                  | Tperiod              | 100.00MHz nominal  | 9.9970 |     | 10.0030 | ns       | 2     |
|                                 |                      | 100.00MHz spread   | 9.9970 |     | 10.0533 | ns       | 2     |
| Absolute min period             | Tabsmn               | 100.00MHz nominal/spread                                 | 9.8720 |     |         | ns       | 1,2   |
| Rise Time                       | t <sub>r</sub>       | $V_{OL} = 0.175V, V_{OH} = 0.525V$                       | 175    |     | 700     | ps       | 1     |
| Fall Time                       | t <sub>f</sub>       | $V_{OH} = 0.525V, V_{OL} = 0.175V$                       | 175    |     | 700     | ps       | 1     |
| Rise Time Variation             | d-t <sub>r</sub>     | $V_{OL} = 0.175V, V_{OH} = 0.525V$                       |        |     | 125     | ps       | 1     |
| Fall Time Variation             | d-t <sub>f</sub>     | $V_{OH} = 0.525V, V_{OL} = 0.175V$                       |        |     | 125     | ps       | 1     |
| Duty Cycle                      | d <sub>13</sub>      | Measurement from differential waveform                   | 45     |     | 55      | %        | 1     |
| Skew                            | t <sub>sk3</sub>     | $V_T = 50\%$   |        |     | 250     | ps       | 1     |
| Jitter, Cycle to cycle          | t <sub>jyc-cyc</sub> | Measurement from differential waveform                   |        |     | 125     | ps       | 1     |

\*T<sub>A</sub> = 0 - 70°C; V<sub>DD</sub> = 3.3 V +/-5%; C<sub>L</sub> =2pF, R<sub>S</sub>=33.2 $\Omega$ , R<sub>P</sub>=49.9 $\Omega$ , I<sub>REF</sub> = 475 $\mu$ A

<sup>1</sup>Guaranteed by design and characterization, not 100% tested in production.

<sup>2</sup> All Long Term Accuracy and Clock Period specifications are guaranteed assuming that REFOUT is at 14.31818MHz

<sup>3</sup>I<sub>REF</sub> = V<sub>DD</sub>/(3xR<sub>R</sub>). For R<sub>R</sub> = 475 $\Omega$  (1%), I<sub>REF</sub> = 2.32mA. I<sub>OH</sub> = 6 x I<sub>REF</sub> and V<sub>OH</sub> = 0.7V @ Z<sub>O</sub>=50 $\Omega$ .

**Electrical Characteristics - PCICLK/PCICLK\_F**

| PARAMETER              | SYMBOL               | CONDITIONS*                                      | MIN | TYP | MAX  | UNITS    | NOTES |
|------------------------|----------------------|--|-----|-----|------|----------|-------|
| Output Impedance       | R <sub>DSP</sub>     | $V_O = V_{DD}*(0.5)$                             | 12  |     | 55   | $\Omega$ | 1     |
| Output High Voltage    | V <sub>OH</sub>      | I <sub>OH</sub> = -1 mA                          | 2.4 |     |      | V        | 1     |
| Output Low Voltage     | V <sub>OL</sub>      | I <sub>OL</sub> = 1 mA                           |     |     | 0.55 | V        | 1     |
| Output High Current    | I <sub>OH</sub>      | V <sub>OH</sub> @ MIN = 1.0 V                    | -33 |     |      | mA       | 1     |
|                        |                      | V <sub>OH</sub> @ MAX = 3.135 V                  |     |     | -33  | mA       | 1     |
| Output Low Current     | I <sub>OL</sub>      | V <sub>OL</sub> @ MIN = 1.95 V                   | 30  |     |      | mA       | 1     |
|                        |                      | V <sub>OL</sub> @ MAX = 0.4 V                    |     |     | 38   | mA       | 1     |
| Edge Rate              | t <sub>slewr/f</sub> | Rising/Falling edge rate                         | 1   |     | 4    | V/ns     | 1     |
| Rise Time              | t <sub>r</sub>       | V <sub>OL</sub> = 0.4 V, V <sub>OH</sub> = 2.4 V | 0.5 |     | 2    | ns       | 1     |
| Fall Time              | t <sub>f</sub>       | V <sub>OH</sub> = 2.4 V, V <sub>OL</sub> = 0.4 V | 0.5 |     | 2    | ns       | 1     |
| Duty Cycle             | d <sub>t1</sub>      | V <sub>T</sub> = 1.5 V                           | 45  |     | 55   | %        | 1     |
| Group Skew             | t <sub>skew</sub>    | V <sub>T</sub> = 1.5 V                           |     |     | 500  | ps       | 1     |
| Jitter, Cycle to cycle | t <sub>jyc-cyc</sub> | V <sub>T</sub> = 1.5 V                           |     |     | 500  | ps       | 1     |

\*T<sub>A</sub> = 0 - 70°C; Supply Voltage VDD = 3.3 V +/-5%, CL = 20 pF with R<sub>S</sub> = 7 $\Omega$  (unless otherwise specified)

<sup>1</sup>Guaranteed by design and characterization, not 100% tested in production.

**Electrical Characteristics - 48MHz/USB48MHz/24\_48MHz**

| PARAMETER              | SYMBOL                   | CONDITIONS*                                      | MIN     | TYP | MAX     | UNITS | NOTES |
|------------------------|--------------------------|--|---------|-----|---------|-------|-------|
| Long Accuracy          | ppm                      | see T <sub>period</sub> min-max values           | -100    |     | 100     | ppm   | 1     |
| Clock period           | T <sub>period</sub>      | 48.00MHz output nominal                          | 20.8313 |     | 20.8354 | ns    |       |
| Output Impedance       | R <sub>DSP</sub>         | V <sub>O</sub> = V <sub>DD</sub> *(0.5)          | 12      |     | 55      | Ω     | 1     |
| Output High Voltage    | V <sub>OH</sub>          | I <sub>OH</sub> = -1 mA                          | 2.4     |     |         | V     | 1     |
| Output Low Voltage     | V <sub>OL</sub>          | I <sub>OL</sub> = 1 mA                           |         |     | 0.55    | V     | 1     |
| Output High Current    | I <sub>OH</sub>          | V <sub>OH</sub> @ MIN = 1.0 V                    | -33     |     |         | mA    | 1     |
|                        |                          | V <sub>OH</sub> @ MAX = 3.135 V                  |         |     | -33     | mA    | 1     |
| Output Low Current     | I <sub>OL</sub>          | V <sub>OL</sub> @ MIN = 1.95 V                   | 30      |     |         | mA    | 1     |
|                        |                          | V <sub>OL</sub> @ MAX = 0.4 V                    |         |     | 38      | mA    | 1     |
| Edge Rate              | t <sub>slewr/f</sub>     | Rising/Falling edge rate                         | 1       |     | 4       | V/ns  | 1     |
| Edge Rate              | t <sub>slewr/f_USB</sub> | USB48 Rising/Falling edge rate                   | 1       |     | 2       | V/ns  | 1     |
| Rise Time              | t <sub>r</sub>           | V <sub>OL</sub> = 0.4 V, V <sub>OH</sub> = 2.4 V | 0.5     |     | 2       | ns    | 1     |
| Fall Time              | t <sub>f</sub>           | V <sub>OH</sub> = 2.4 V, V <sub>OL</sub> = 0.4 V | 0.5     |     | 2       | ns    | 1     |
| Rise Time              | t <sub>r_USB</sub>       | V <sub>OL</sub> = 0.4 V, V <sub>OH</sub> = 2.4 V | 1       |     | 2       | ns    | 1     |
| Fall Time              | t <sub>f_USB</sub>       | V <sub>OH</sub> = 2.4 V, V <sub>OL</sub> = 0.4 V | 1       |     | 2       | ns    | 1     |
| Duty Cycle             | d <sub>t1</sub>          | V <sub>T</sub> = 1.5 V                           | 45      |     | 55      | %     | 1     |
| Group Skew             | t <sub>skew</sub>        | V <sub>T</sub> = 1.5 V                           |         |     | 250     | ps    | 1     |
| Jitter, Cycle to cycle | t <sub>jyc-cyc</sub>     | V <sub>T</sub> = 1.5 V                           |         |     | 500     | ps    | 1     |

\*TA = 0 - 70°C; Supply Voltage VDD = 3.3 V +/-5%, CL = 20 pF with R<sub>s</sub> = 7Ω (R<sub>s</sub> is used in USB48MHz test only)

<sup>1</sup>Guaranteed by design and characterization, not 100% tested in production.

**Electrical Characteristics - AGPCLK/3V66**

| PARAMETER              | SYMBOL               | CONDITIONS*                                      | MIN | TYP | MAX  | UNITS | NOTES |
|------------------------|----------------------|--|-----|-----|------|-------|-------|
| Output Impedance       | R <sub>DSP</sub>     | V <sub>O</sub> = V <sub>DD</sub> *(0.5)          | 12  |     | 55   | Ω     | 1     |
| Output High Voltage    | V <sub>OH</sub>      | I <sub>OH</sub> = -1 mA                          | 2.4 |     |      | V     | 1     |
| Output Low Voltage     | V <sub>OL</sub>      | I <sub>OL</sub> = 1 mA                           |     |     | 0.55 | V     | 1     |
| Output High Current    | I <sub>OH</sub>      | V <sub>OH</sub> @ MIN = 1.0 V                    | -33 |     |      | mA    | 1     |
|                        |                      | V <sub>OH</sub> @ MAX = 3.135 V                  |     |     | -33  | mA    | 1     |
| Output Low Current     | I <sub>OL</sub>      | V <sub>OL</sub> @ MIN = 1.95 V                   | 30  |     |      | mA    | 1     |
|                        |                      | V <sub>OL</sub> @ MAX = 0.4 V                    |     |     | 38   | mA    | 1     |
| Rise Time              | t <sub>r</sub>       | V <sub>OL</sub> = 0.4 V, V <sub>OH</sub> = 2.4 V | 0.5 |     | 2    | ns    | 1     |
| Fall Time              | t <sub>f</sub>       | V <sub>OH</sub> = 2.4 V, V <sub>OL</sub> = 0.4 V | 0.5 |     | 2    | ns    | 1     |
| Duty Cycle             | d <sub>t1</sub>      | V <sub>T</sub> = 1.5 V                           | 45  |     | 55   | %     | 1     |
| Group Skew             | t <sub>skew</sub>    | V <sub>T</sub> = 1.5 V                           |     |     | 150  | ps    | 1     |
| Jitter, Cycle to cycle | t <sub>jyc-cyc</sub> | V <sub>T</sub> = 1.5 V                           |     |     | 250  | ps    | 1     |

\*TA = 0 - 70°C; Supply Voltage VDD = 3.3 V +/-5%, CL = 10-30 pF (unless otherwise specified)

<sup>1</sup>Guaranteed by design and characterization, not 100% tested in production.



### Electrical Characteristics - REF-14.318MHz

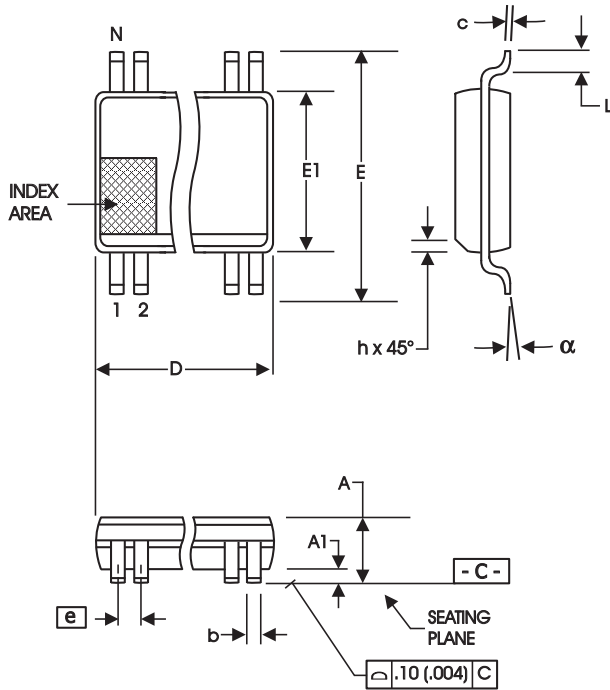
| PARAMETER           | SYMBOL        | CONDITIONS   | MIN     | TYP      | MAX     | UNITS | Notes |
|---------------------|---------------|--|---------|----------|---------|-------|-------|
| Long Accuracy       | ppm           | see Tperiod min-max values   | -300    |          | 300     | ppm   | 1,2   |
| Clock period        | $T_{period}$  | 14.318MHz output nominal   | 69.8270 |          | 69.8550 | ns    | 2     |
| Output High Voltage | $V_{OH}$      | $I_{OH} = -1 \text{ mA}$   | 2.4     |          |         | V     | 1     |
| Output Low Voltage  | $V_{OL}$      | $I_{OL} = 1 \text{ mA}$  |         |          | 0.4     | V     | 1     |
| Output High Current | $I_{OH}$      | $V_{OH} @ \text{MIN} = 1.0 \text{ V}$ ,<br>$V_{OH} @ \text{MAX} = 3.135 \text{ V}$ | -29     |          | -23     | mA    | 1     |
| Output Low Current  | $I_{OL}$      | $V_{OL} @ \text{MIN} = 1.95 \text{ V}$ ,<br>$V_{OL} @ \text{MAX} = 0.4 \text{ V}$  | 29      |          | 27      | mA    | 1     |
| Edge Rate           | $t_{slewrf}$  | Rising/Falling edge rate   | 1       |          | 4       | V/ns  | 1     |
| Rise Time           | $t_{r1}$      | $V_{OL} = 0.4 \text{ V}$ , $V_{OH} = 2.4 \text{ V}$                                | 1       |          | 2       | ns    | 1     |
| Fall Time           | $t_{f1}$      | $V_{OH} = 2.4 \text{ V}$ , $V_{OL} = 0.4 \text{ V}$                                | 1       |          | 2       | ns    | 1     |
| Skew                | $t_{sk1}$     | $V_T = 1.5 \text{ V}$  |         | Inverted |         | ps    | 3     |
| Duty Cycle          | $d_{t1}$      | $V_T = 1.5 \text{ V}$  | 45      |          | 55      | %     | 1     |
| Jitter              | $t_{jyc-cyc}$ | $V_T = 1.5 \text{ V}$  |         |          | 1000    | ps    | 1     |

\*TA = 0 - 70°C; Supply Voltage VDD = 3.3 V +/-5%, CL = 20 pF with Rs = 7Ω (Rs is used in USB48MHz test only)

<sup>1</sup>Guaranteed by design and characterization, not 100% tested in production.

<sup>2</sup>All Long Term Accuracy and Clock Period specifications are guaranteed assuming that REFOUT is at 14.31818MHz

<sup>3</sup>The REF outputs are inverted with respect to each other. The exact skew value is not critical.



**56-Lead, 300 mil Body, 25 mil, SSOP**

| SYMBOL | In Millimeters    |       | In Inches         |       |
|--------|-------------------|-------|-------------------|-------|
|        | COMMON DIMENSIONS |       | COMMON DIMENSIONS |       |
|        | MIN               | MAX   | MIN               | MAX   |
| A      | 2.41              | 2.80  | .095              | .110  |
| A1     | 0.20              | 0.40  | .008              | .016  |
| b      | 0.20              | 0.34  | .008              | .0135 |
| c      | 0.13              | 0.25  | .005              | .010  |
| D      | SEE VARIATIONS    |       | SEE VARIATIONS    |       |
| E      | 10.03             | 10.68 | .395              | .420  |
| E1     | 7.40              | 7.60  | .291              | .299  |
| e      | 0.635 BASIC       |       | 0.025 BASIC       |       |
| h      | 0.38              | 0.64  | .015              | .025  |
| L      | 0.50              | 1.02  | .020              | .040  |
| N      | SEE VARIATIONS    |       | SEE VARIATIONS    |       |
| alpha  | 0°                | 8°    | 0°                | 8°    |

**VARIATIONS**

| N  | D mm. |       | D (inch) |      |
|----|-------|-------|----------|------|
|    | MIN   | MAX   | MIN      | MAX  |
| 56 | 18.31 | 18.55 | .720     | .730 |

Reference Doc.: JEDEC Publication 95, MO-118

10-0034

## Ordering Information

| Part / Order Number | Shipping Packaging | Package     | Temperature |
|---------------------|--------------------|-------------|-------------|
| 953002CFLF          | Tubes              | 56-pin SSOP | 0 to +70° C |
| 953002CFLFT         | Tape and Reel      | 56-pin SSOP | 0 to +70° C |
| 953002DFLF          | Tubes              | 56-pin SSOP | 0 to +70° C |
| 953002DFLFT         | Tape and Reel      | 56-pin SSOP | 0 to +70° C |

Parts that are ordered with a "LF" suffix to the part number are the Pb-Free configuration and are RoHS compliant.



---

---

### Revision History

| Rev. | Issue Date | Description  | Page #      |
|------|------------|--|-------------|
| 0.1  | 6/13/2005  | 1. Updated frequency table.<br>2. Updated LF Ordering Information to RoHS Compliant.   | 1, 5-12, 25 |
| 0.2  | 9/1/2005   | Updated frequency table  | 5-12        |
| 0.3  | 5/29/2008  | Added SMBus Read/Write Information.  | 21          |
| 0.4  | 9/26/2008  | Corrected typos on Bytes 15:20   | 25, 26, 27  |
| A    | 6/11/2009  | Moved to final.  |             |
| B    | 11/18/2009 | Removed REF skew spec from DS. This spec is not required and is not critical functionality of the device or system. The REF outputs are inverted (180 degrees out of phase) with each other. | 33          |