

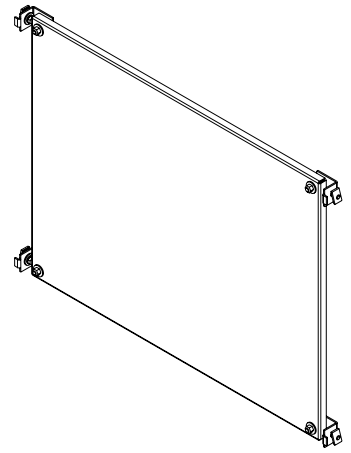


**PART No. 60TYHWG**

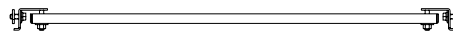
for more information visit  
[www.hammfg.com](http://www.hammfg.com)

Data subject to change without notice

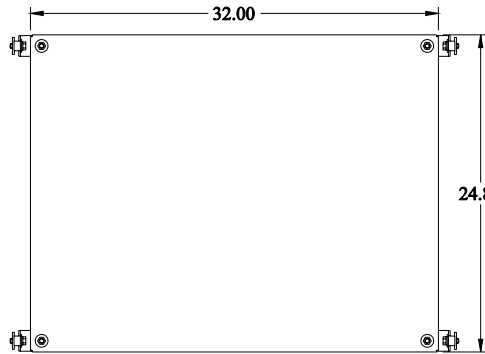
Isometric drawing Not to Scale



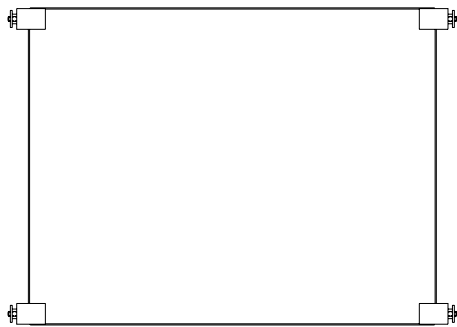
ISOMETRIC VIEW



TOP VIEW



FRONT VIEW



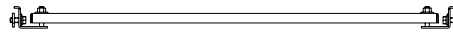
REAR VIEW



SIDE VIEW



SIDE VIEW



BOTTOM VIEW