

4

3

DWG NO. THA101-1 SH 1 REV. A

1

This print and associated documents and the contained information are the confidential property of ELECTRONIC CABLE SPECIALISTS. Disclosure of, and/or reproduction of, all or part thereof or manufacture of any part from information contained on this print not specifically permitted by ELECTRONIC CABLE SPECIALISTS in writing is forbidden.

REVISIONS					
ECN	ZONE	REV.	DESCRIPTION	DATE	APPROVED
18282	-	N/C	NEW RELEASE	9/18/03	D KNOLL
19292	C3 B4	A	MODIFIED CONNECTOR, ADDED .750 DIM. REMOVED CONTACT GASKET FROM MATERIALS	2/16/04	<i>David Knoll</i>

NOTES

1. ALL DIMENSIONS ARE IN INCHES.
2. DIMENSIONS ARE FOR REFERENCE ONLY.

SPECIFICATIONS

ELECTRICAL

IMPEDANCE: 50 OHMS NOMINAL  
 FREQUENCY RANGE: 0-4 GHz  
 VSWR: 1.35:1 MAXIMUM  
 INSERTION LOSS: .1 dB MAXIMUM DC TO 2 GHz  
 WORKING VOLTAGE: 2500 VRMS @ -55°C AND 55,000 FT  
 DIELECTRIC WITHSTANDING: 5000 VRMS @ SEA LEVEL  
 INSULATION RESISTANCE: 5000 MEGOHMS MINIMUM

MECHANICAL

CONNECTOR INTERFACE DIMENSION PER MIL-STD-348A  
 FIGURE 317-1, 317-2 WITH EXCEPTION OF PLUG INTERFACE DIELECTRIC  
 PLUG INTERFACE IS COMPATIBLE WITH HN JACK.

ENVIRONMENTAL

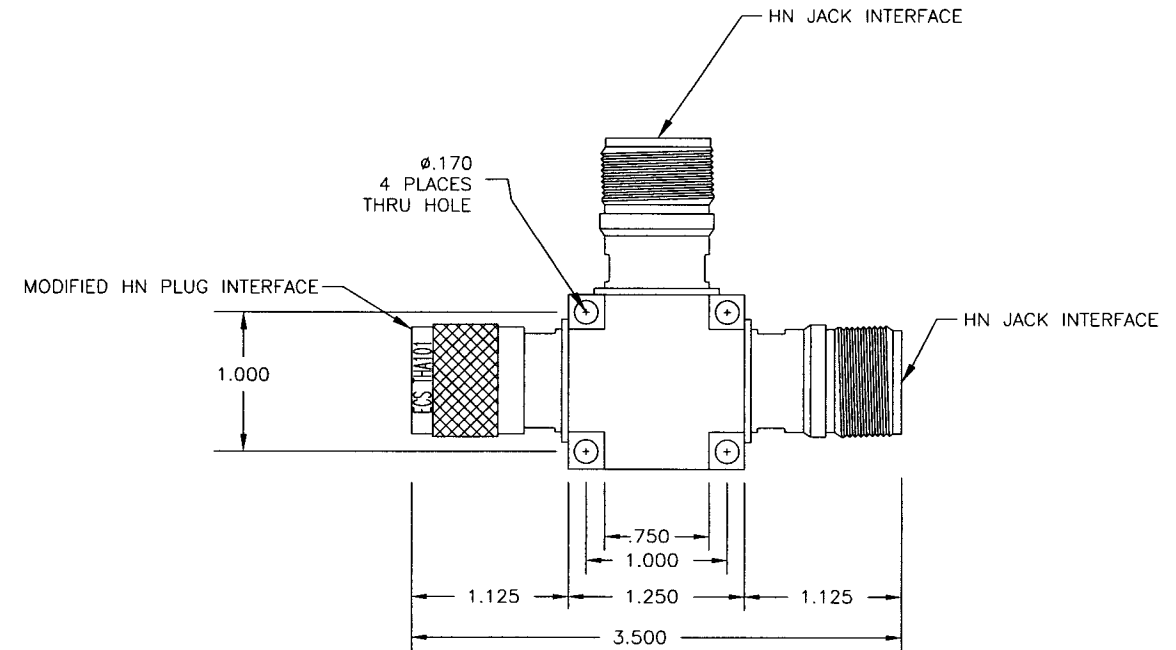
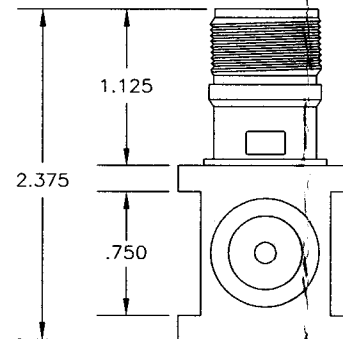
TEMPERATURE RATING: -65° TO +165° C  
 CORROSION: MIL-STD-202, METHOD 101, COND. B  
 MOISTURE RESISTANCE: MIL-STD-202, METHOD 106


MATERIALS

BODY: BRASS PER ASTM B16  
 CONTACT: BERYLLIUM COPPER PER ASTM B196  
 DIELECTRIC: TEFLON PER ASTM D1710  
 GASKET: SILICONE RUBBER PER ZZ-R-765

FINISHES

BODY: BRIGHT NICKEL PER QQ-N-290  
 CONTACT: GOLD PER MIL-G-45204



ALL LENGTHS IN INCHES		 ELECTRONIC CABLE SPECIALISTS FRANKLIN, WI 53132 PHONE: (414) 421-5300	
APPROVALS	DATE	TITLE: <b>CUSTOMER SPECIFICATION</b>	
DRAWN BY: T. SEROOGY II	9/18/03	HN PLUG-JACK-JACK TEE ADAPTER	
CHECKED BY: DAVID E KNOLL	9/18/03	SIZE: B	CAGE CODE: 66197
DESIGNED BY:		LEVEL: C	PART NO. THA101
PROJECT ENG:		SCALE:	FILE NO:
ENG. MGR: DAVID E KNOLL	9/18/03		SHEET: 1 OF 1