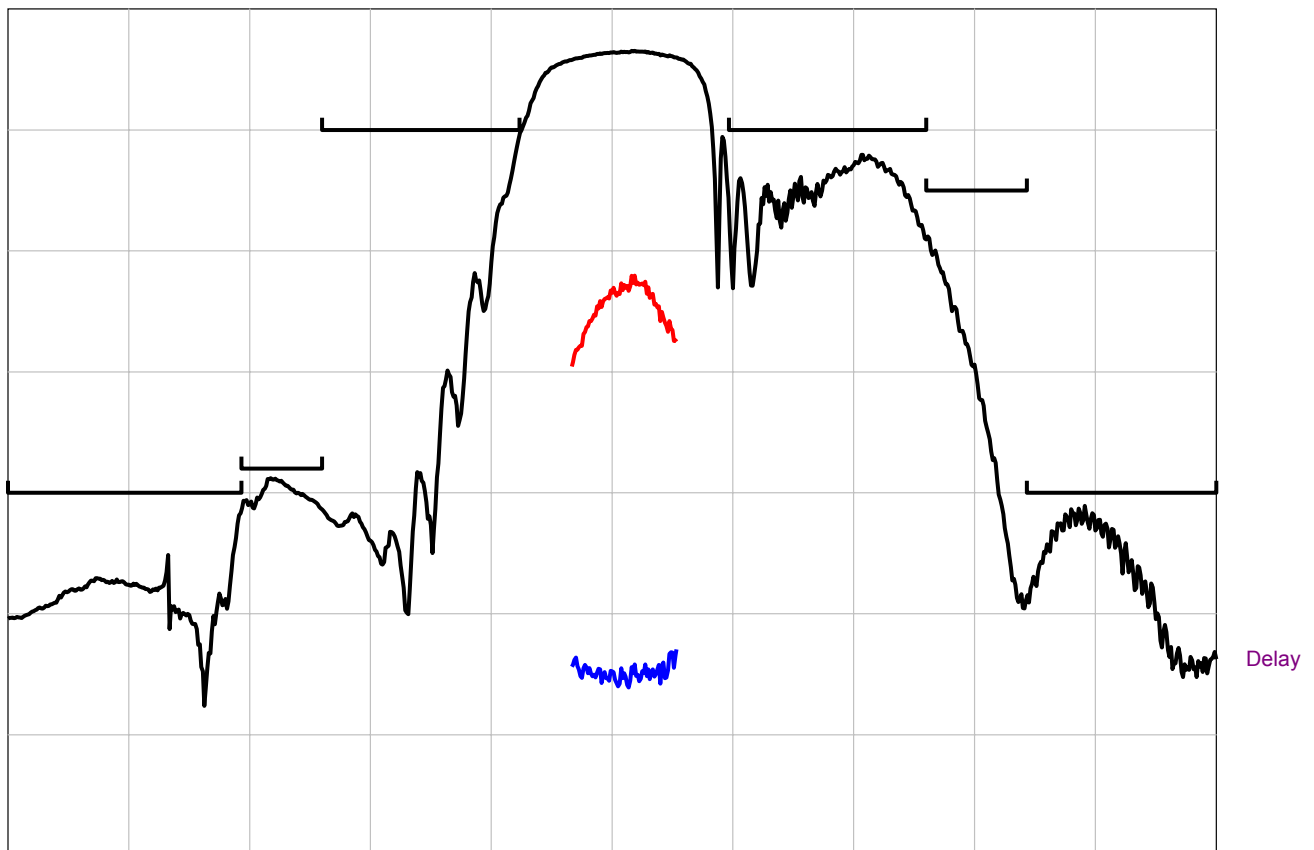


DESCRIPTION

- 653 MHz SAW bandpass filter with 26 MHz bandwidth.
- 3.8 x 3.8 mm LCC package.
- RoHS compliant.

TYPICAL PERFORMANCE



Horizontal: Frequency - Center : 650 MHz
Span : 300 MHz
Vertical: Magnitude : 10 dB/div
Magnitude : 1 dB/div
Group Delay : 20 ns/div

SPECIFICATION

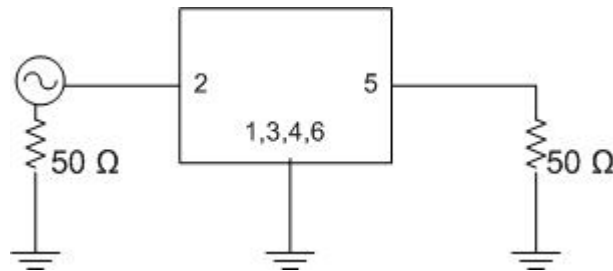
Parameter	Min	Typ	Max	Units
Nominal Center Frequency F_c	-	653	-	MHz
Passband	640	-	688	MHz
Maximum Insertion Loss over the Passband	-	4.2	4.5	dB
Absolute Delay	-	35	-	ns
Rejection (0.3 to 558 MHz) ¹	40	41	-	dB
Rejection (558 to 578 MHz) ¹	38	39	-	dB
Rejection (578 to 627 MHz) ¹	10	10.5	-	dB
Rejection (679 to 728 MHz) ¹	10	12	-	dB
Rejection (728 to 753 MHz) ¹	15	18	-	dB
Rejection (753 to 953 MHz) ¹	40	41	-	dB
Rejection (953 to 1103 MHz) ¹	40	42	-	dB
Amplitude Variation over the Passband	-	0.8	1.5	dB p-p
Group Delay Ripple in Passband	-	10	100	ns p-p
Source/Load Impedance	50			ohms
Temperature Coefficient of Frequency, T_c ²	-	-70	-	ppm/°C
Ambient Temperature (T_{ref})	-	23	-	°C

- Notes:
1. Absolute level
 2. Typical shift of filter frequency response with temperature is $\Delta f = (T - T_{ref}) * T_c * F_c$.

MAXIMUM RATINGS

Parameter	Min	Max	Units
Storage Temperature Range	-45	85	°C
Operating Temperature Range	-20	55	°C
Input Power Level	-	10	dBm

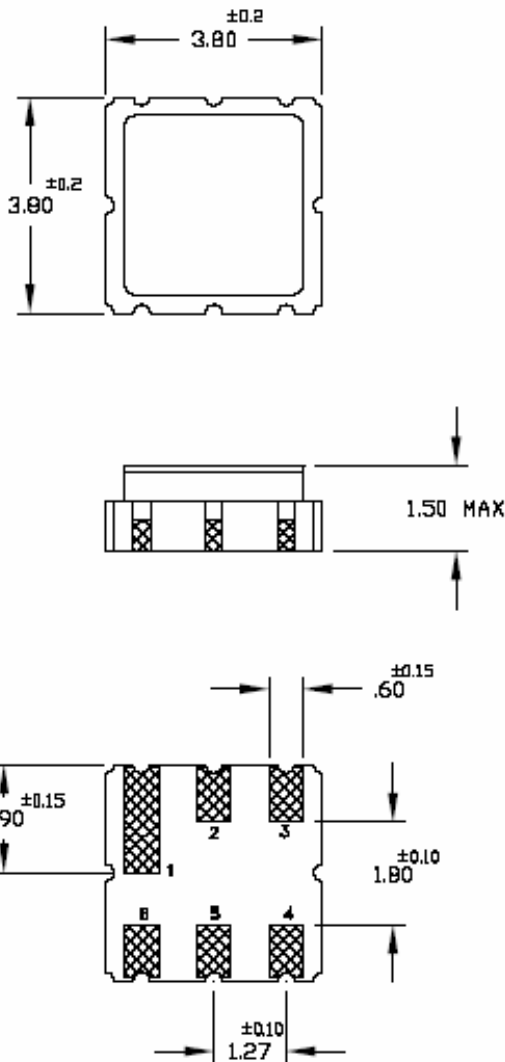
MATCHING CIRCUIT



Notes:

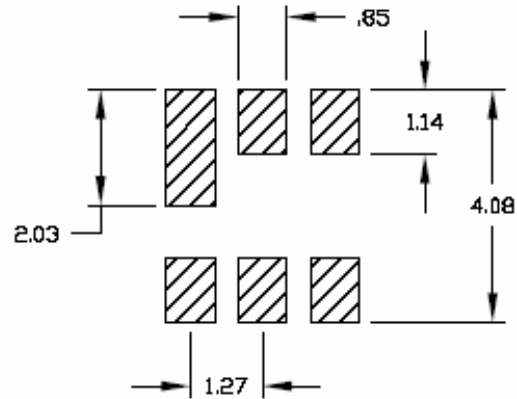
- 50 ohm single ended operation.
- Matching components are not required.

PACKAGE OUTLINE



Package Material:
 Body: Al_2O_3 ceramic
 Lid: Kovar, Ni plated
 Terminations: Au plating 1 μ m min,
 over a 1.3-8.9 μ m Ni plating

SUGGESTED FOOTPRINT



Units: mm

Tolerances are ± 0.15 mm except where indicated.

Pad Configuration:

Input: 2
 Output: 5
 Ground: 1, 3, 4, 6

ISO 9001
Registered

All specifications are believed to be accurate and reliable. However, Spectrum Microwave reserves the right to make changes without notice.
 © 2010 All rights reserved.