

# SPST Momentary Key Switches



### Features/Benefits

- Easy X, Y coding on single side PCB
- Positive tactile feedback
- High temperature
- Wide variety of colors & styles
- RoHS compliant and compatible

### Typical Applications

- Video
- Electronic games
- Appliances

### Construction

FUNCTION: momentary  
 CONTACT ARRANGEMENT: 1 make contact (SPST), NO  
 DISTANCE BETWEEN BUTTON CENTERS, MIN.: 12,7 (0.500)  
 TERMINALS: PC pins

### Electrical

SWITCHING POWER MAX.: 3 VA  
 SWITCHING VOLTAGE MAX.: 32 V DC  
 SWITCHING CURRENT MAX.: 100 mA DC  
 DIELECTRIC STRENGTH (50 Hz / 1 min): 250 V  
 OPERATING LIFE with max. switching power: (2,5x10<sup>5</sup> operations)  
 CONTACT RESISTANCE: ≤100 mΩ  
 INSULATION RESISTANCE: ≥10<sup>8</sup>Ω  
 BOUNCE TIME: ≤10 ms

### Mechanical

SWITCHING TRAVEL: Version F1: ±2±mm ≤ Te4bn) ≤ 1.± mm  
 Version F2: ±.3± mm ≤ Te4bn) ≤ 1.1 mm  
 OPERATING FORCE: Version F1: ±.8N ≤ Fa ≤1.8N  
 Version F2: 2.±N ≤ Fa ≤ 3.5N

### Environmental

OPERATING TEMPERATURE: -20°C to 85°C.

### Process

#### SOLDERABILITY:

Hand soldering: 350°C for 3 seconds  
 Wave or bath soldering: 260°C for 5 seconds  
 Cleaning: Not washable

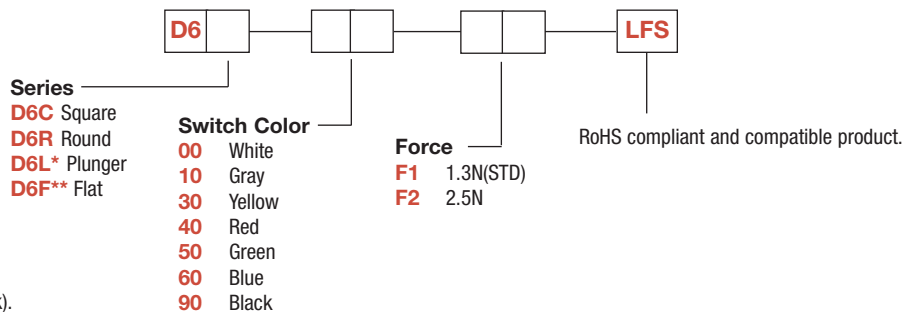
#### PACKAGING:

The D6 switches are delivered in boxes containing 10 trays with 250 pieces each: Total 2,500 pieces per box.  
 The D6 buttons are delivered in bulk with 2500 pieces per box.

### How To Order

Our easy build-a-switch concept allows you to mix and match options to create the switch you need. To order, select desired option from each category and place it in the appropriate box.

#### Switch



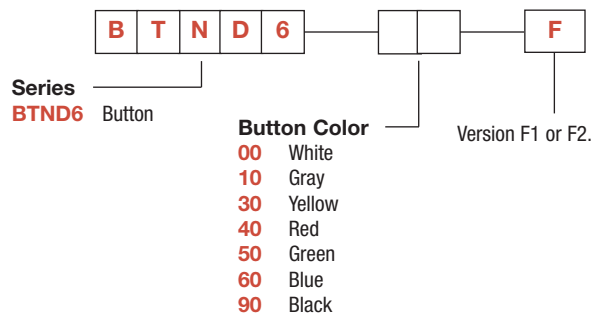
\*Available only in color 90 (black).

\*\* Available only in color 90 (black) and 00 (white).

#### Button

Buttons can be ordered separately.  
 Shipped in bulk.

D6 button for use with D6C only.

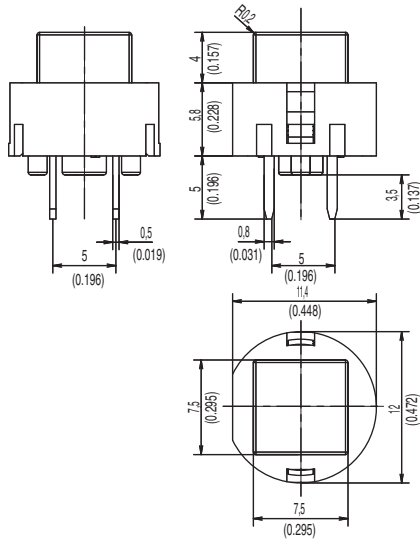


Dimensions are shown: mm (inch)  
 Specifications and dimensions subject to change

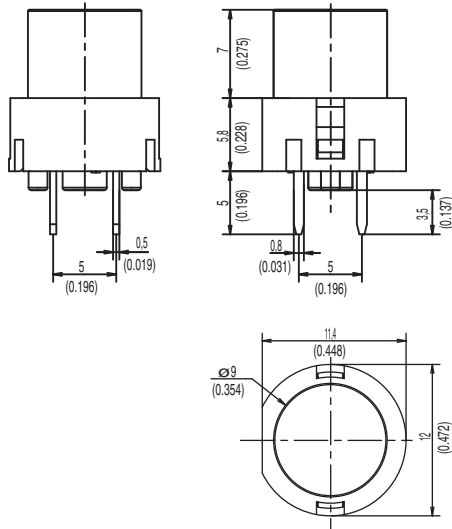
# D6 SPST Momentary Key Switches

SERIES 

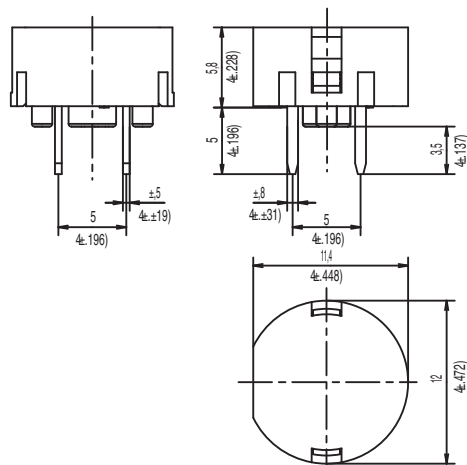
## D6C



## D6R



## D6F



Dimensions are shown: mm (inch)  
Specifications and dimensions subject to change

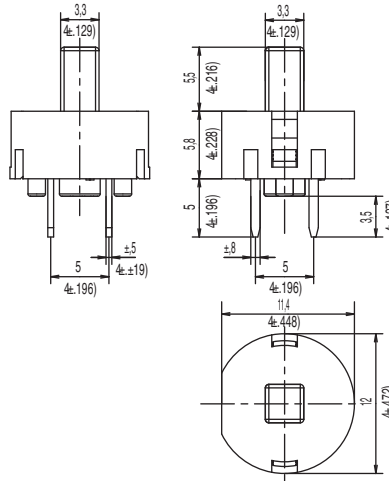
[www.ck-components.com](http://www.ck-components.com)



# D6 SPST Momentary Key Switches

SERIES 

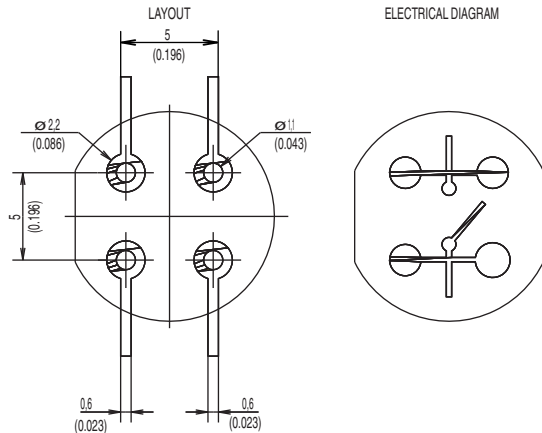
**D6L** ONLY AVAILABLE IN BLACK



SWITCH COLORS 

OPTION CODE	SWITCH COLOR
00	WHITE
10	GRAY
30	YELLOW
40	RED
50	GREEN
60	BLUE
90	BLACK

## PCB LAYOUT

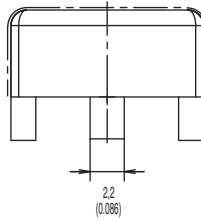
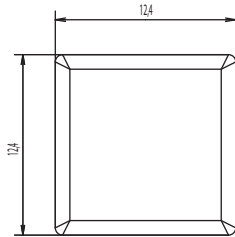
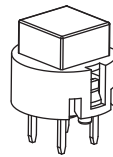
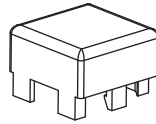
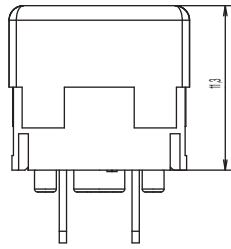


# D6 SPST Momentary Key Switches

## BUTTON AVAILABLE

**BTND6** Buttons must be ordered separately. Shipped in bulk.

**NOTE:** Only compatible with D6C.



OPTION CODE	BUTTON COLOR
00	WHITE
10	GRAY
30	YELLOW
40	RED
50	GREEN
60	BLUE
90	BLACK



Key Switches