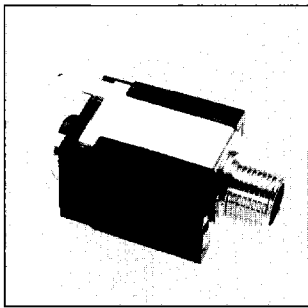
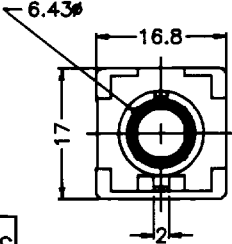
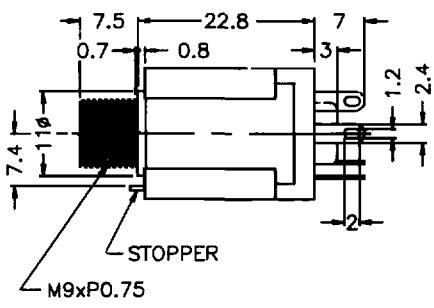
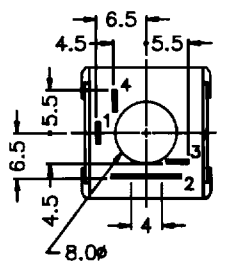
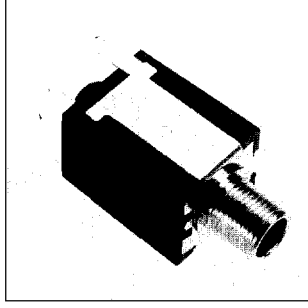
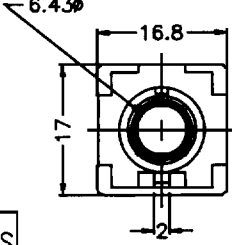
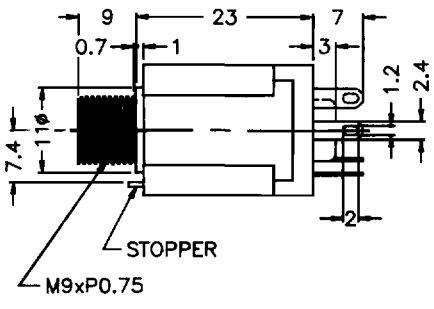
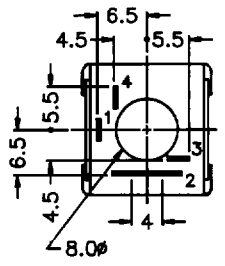


6.3Ø PHONE JACK

MODEL NO	NEW	2LJ-604 SERIES
	OLD	LJ-604 SERIES

Schematic											
		Stopper									
Model No.	WITH	NEW	2LJ-604SHW00	2LJ-617SHW00	2LJ-612SHW00	2LJ-613SHW00	2LJ-614SHW00				
		OLD	LJ-604-SHW (SRW)	LJ-617-SHW (SRW)	LJ-612-SHW (SRW)	LJ-613-SHW (SRW)	LJ-614-SHW (SRW)				
	WITHOUT	NEW	2LJ-604NHW00	2LJ-617NHW00	2LJ-612NHW00	2LJ-613NHW00	2LJ-614NHW00				
		OLD	LJ-604-OHW (ORW)	LJ-617-OHW (ORW)	LJ-612-OHW (ORW)	LJ-613-OHW (ORW)	LJ-614-OHW (ORW)				

MODEL NO	NEW	2LJ-604L SERIES
	OLD	LJ-604-L SERIES

Schematic										
		Stopper								
Model No.	WITH	NEW	2LJ-604LSHW0	2LJ-617LSHW0	2LJ-612LSHW0	2LJ-613LSHW0				
		OLD	LJ-604-L SHW (SRW)	LJ-617-L SHW (SRW)	LJ-612-L SHW (SRW)	LJ-613-L SHW (SRW)				
	WITHOUT	NEW	2LJ-604LNHW0	2LJ-617LNHW0	2LJ-612LNHW0	2LJ-613LNHW0				
		OLD	LJ-604-L OHW (ORW)	LJ-617-L OHW (ORW)	LJ-612-L OHW (ORW)	LJ-613-L OHW (ORW)				