

**SPECIFICATIONS**

**Mechanical**

**Mating Force:** 5.10kg (11.25Lb) max. (DSUB)  
 2.49kg (5.50 Lb) max. (Audio Jack)  
**Unmating Force:** 0.32kg (0.70Lb) min. (DSUB)  
 0.30kg (0.66 Lb) min. (Audio Jack)

**Electrical**

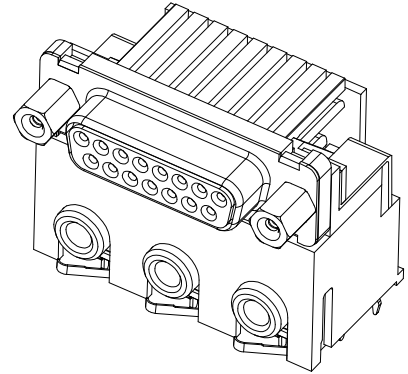
**Current Rating:** 1.50A (DSUB); 1A (Audio Jack)  
**Contact Resistance:** 35mW (DSUB); 30mW (Audio Jack)  
**Dielectric Withstanding Voltage:** 1000V AC/1min min. (DSUB)  
 500V AC/1min min. (Audio Jack)

**Physical**

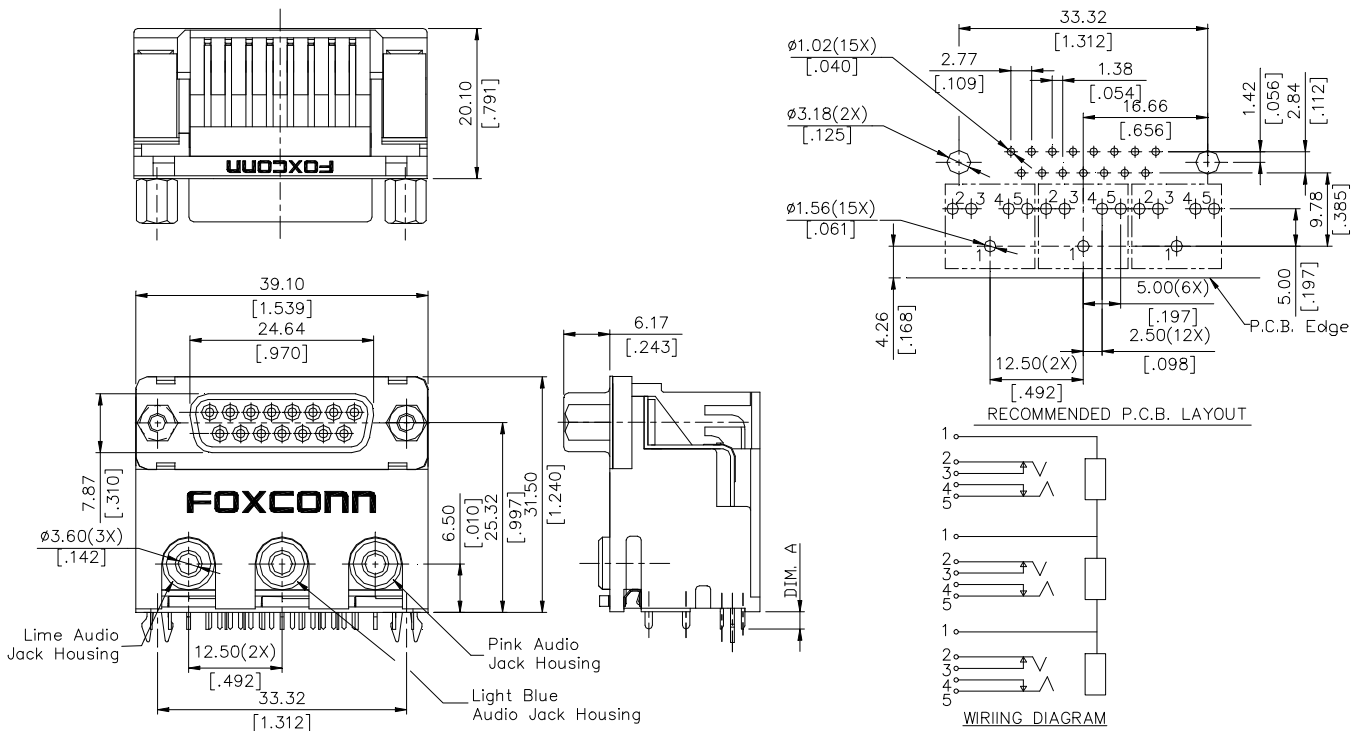
**Housing:** Thermoplastic, UL 94V-0 rated  
**Contact:** Copper alloy  
**Plating:** See "ORDERING INFORMATION"  
**Operating Temperature:** -55 to +85

**D-SUB Connector**

**DM Series**  
**Right Angle Type, T/H**  
**2.77mm [.109"] Pitch**  
**15 Pos. (Female) +**  
**3 Audio Jack**



**DRAWING**



**ORDERING INFORMATION**

**PRODUCT NO.:** DM 1 1 2 5 \* - PJ\* - 4F

D-SUB Series  
 Termination Type  
 1=Right Angle  
 Contact Design Type  
 1=Female  
 No. of Pos.  
 2=15 Pos.  
 Body Length  
 5=14.99

Lead Free  
 Extension Code  
 Contact Area Plating  
 1=Gold Flash  
 2=20u" Gold

DM1125*-PJ9-4F	2.67 [.105]
DM1125*-PJ7-4F	3.18 [.125]
P/N	DIM. A