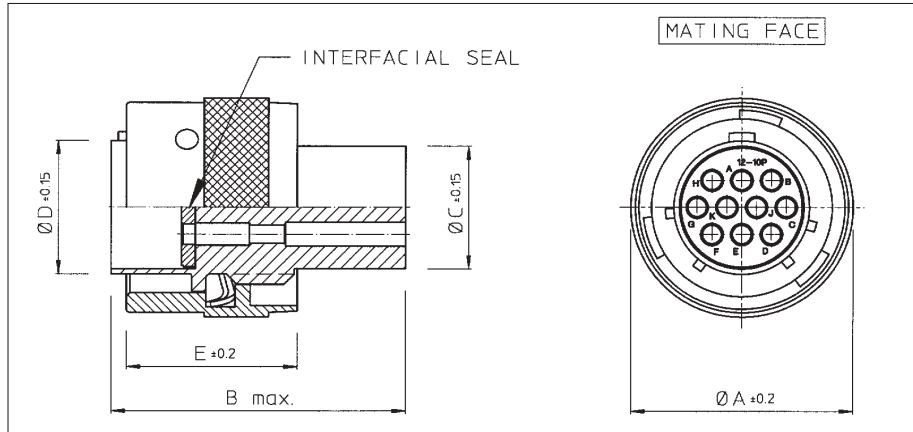




New

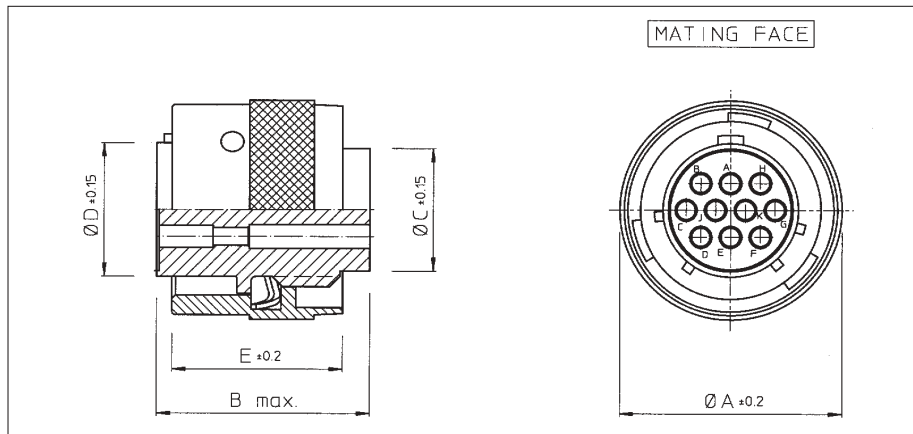
Cable plug for pin contacts (UTGW6- - - -P1)



Part number	Shell size	$\varnothing A \pm 0.2$	B Max.	$\varnothing C \pm 0.15$	$\varnothing D \pm 0.15$	E ± 0.2
UTGW6106P1	10	21.6	31.8	10.9	12.2	19.1
UTGW61210P1	12	24.8		13.8	15.1	
UTGW61419P1	14	28.0		17.0	18.3	
UTGW61626P1	16	31.2		19.9	21.5	
UTGW62041P1	20	37.5		25.6	27.2	
UTGW62255P1	22	40.7		26.5	30.4	
UTGW62461P1	24	43.9		31.7	33.5	

For bulk packing (qty 100 pcs) add B at the end of cat. Nr. eg. UTGW61419P1B

Cable plug for socket contacts (UTGW6- - - -S1)



Part number	Shell size	$\varnothing A \pm 0.2$	B Max.	$\varnothing C \pm 0.15$	$\varnothing D \pm 0.15$	E ± 0.2	
UTGW6106S1	10	21.6	23.7	10.9	12.2	19.1	
UTGW61210S1	12	24.8		13.8	15.1		
UTGW61419S1	14	28.0		17.0	18.3		
UTGW61626S1	16	31.2		19.9	21.5		
UTGW62041S1	20	37.5		24.9	25.6		27.2
UTGW62255S1	22	40.7		26.5	30.4		
UTGW62461S1	24	43.9		26.2	31.7		33.5

For bulk packing (qty 100 pcs) add B at the end of cat. Nr. eg. UTGW61419S1B