



Applications

All underwater mateable equipments.

Standards



Description

• The 8810 range is designed to be wet or underwater mated and can be used at depths down to 3000 metres. The metal body shells feature rugged, square cut coupling threads to enhance the 8810's suitability for repeated coupling and uncoupling in severe environmental conditions. Connector front faces can withstand either 150 or 300 bars uncoupled wet pressure. Underwater sealing caps are available for use on connectors power on or for long term immersion.

Characteristics

Mechanical

- Pressure resistance working pressure (Mated or non mated connectors)
Shell sizes 1, 2, 3, 4, 7
Fitted with cable gland endbell 300 bar
Fitted with longitudinally sealed endbell 300 bar
Shell sizes 5, 6
Fitted with all endbell types 150 bar
- Endurance 500 mating/unmating operations
- Metal shell*
Nickel aluminium bronze
- Insulators
Moulded rubber
- Contacts
Gold plated copper alloy
- Band and buckles stainless steel 316L
- Stainless steel 316L, inconel, monel, titanium, aluminium... available on request

Operational

- Working temperature
Ambient : -30°C + 70°C
Subsea : -3°C + 40°C
- Shocks 75 g - 11 ms (3 axis)
Shell size 1, 2, 3, 4, 7
- Vibrations
0,1 Hz to 1 Hz (25 mm amplitude peak to peak 50)
1 Hz to 5 Hz (0,1 g acceleration)
5 Hz to 22 Hz (1 mm amplitude peak to peak 2)
22 Hz to 50 Hz (2 g acceleration)
- Underwater explosion shock tests (heavy weight high impact)
Tested in accordance with,
Spécification MIL-S-901C (NAVY) and HI
Test procedure n° HT 0458-TP-1 Original issue
Grade : «A»
Equipment classification : Hull Mounted external
Class : «I»
Test classification : Heavy Weight
Type : «A»
Tested for the US Navy (NCSC)

Electrical

Layouts	Maximum current rating per contact (A)	Maximum bundle current capacity per contact (A)
4 cts # 20	7.5	7.5
7 cts # 20	7.5	6.5
12 cts # 20	7.5	5.5
19 cts # 20	7.5	4.5
38 cts # 20	7.5	3.5
4 cts # 16	15	14
12 cts # 16	15	12
37 cts # 16	15	6.5
66 cts # 16	15	5
1 Ø 7 mm	100	100
4 # 8	45	35
1 Ø 18 mm	400	400
4 Ø 10+2#8	150 + 45	150 + 45

Layouts		Contacts sizes	Test voltage (Vrms)	Working voltage in external wet conditions ambient (Vrms)	Working voltage after subsea mating conditions complied (Vrms)
Shell size	Number of contacts				
1	4	# 20	2500	500	220
2	7	# 20	2500	500	220
	4	# 16	2500	500	220
3	1	Ø 7 mm	3750	750	750
	12	# 20	2500	500	220
4	19	# 20	2500	500	220
	12	# 16	2500	500	220
	4	# 8	3750	750	360
5	37	# 16	2500	500	220
	1	Ø 18 mm	7500	1500	1500
6	68	# 16	2500	500	220
	4	Ø 10 mm	3750	750	360
7	38	# 20	2500	500	220

* After 5 mating/demating operations in clear water and suitable lubricate insulator (with silicone grease)



ordering information

standard connectors

shell size	Nbr. of contacts	plug (36H)	jam nut receptacle (10H)	cable connecting receptacle (11H)
1	4	8810-36H-1-04SA	8810-10H-1-04PA	8810-11H-1-04PA
2	7	8810-36H-2-07SA	8810-10H-2-07PA	8810-11H-2-07PA
2	4	8810-36H-2-04S	8810-10H-2-04P	8810-11H-2-04P
2	1	8810-36H-2-01SA	8810-10H-2-01PA	8810-11H-2-01PA
3	12	8810-36H-3-12SA	8810-10H-3-12PA	8810-11H-3-12PA
4	19	8810-36H-4-19SA	8810-10H-4-19PA	8810-11H-4-19PA
4	12	8810-36H-4-12SA	8810-10H-4-12PA	8810-11H-4-12PA
4	4	8810-36H-4-04SA	8810-10H-4-04PA	8810-11H-4-04PA
7	38	8810-36H-7-38SA	8810-10H-7-38PA	8810-11H-7-38PA
5	37	8810-36H-5-37SA	8810-10H-5-37PA	8810-11H-5-37PA
5	1	8810-36H-5-01SA	8810-10H-5-01PA	8810-11H-5-01PA
6	68	8810-36H-6-68SA	8810-10H-6-68SA	8810-11H-6-68PA
6	4 + 2	8810-36H-6-04SA	8810-10H-6-04PA	8810-11H-6-04PA

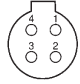
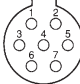
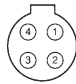

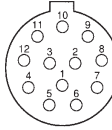
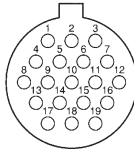
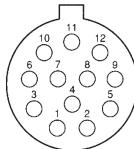
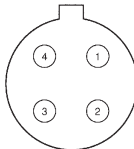
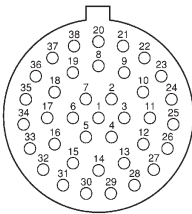
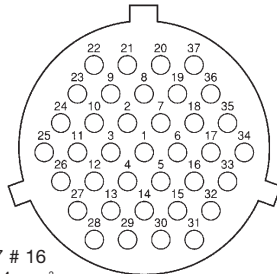
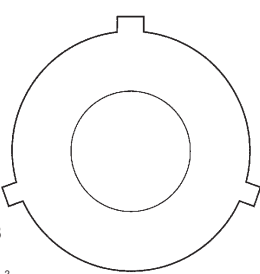
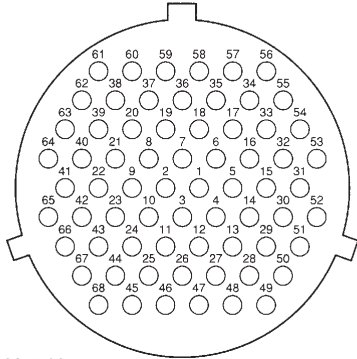
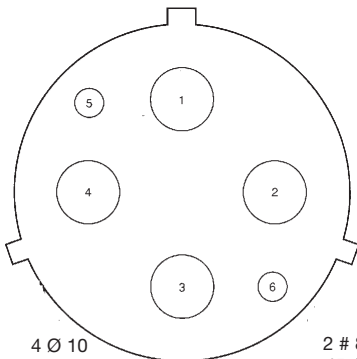
Nota : Extra keyways x, y, z... are available on special request

custom design receptacles

shell size	Nbr. of contacts	inverse pressure receptacle (12H)	thru bulkhead receptacle (14H)	square flange receptacle (15H)
1	4	8810-12H-1-04PA	8810-14H-1-04PA	8810-15H-1-04P
2	7	8810-12H-2-07PA	8810-14H-2-07PA	8810-15H-2-07P
2	4	8810-12H-2-04P	8810-14H-2-04PA	8810-15H-2-04P
2	1	8810-12H-2-01PA	8810-14H-2-01PA	8810-15H-2-01P
3	12	8810-12H-3-12PA	8810-14H-3-12PA	8810-15H-3-12P
4	19	8810-12H-4-19PA	8810-14H-4-19PA	8810-15H-4-19P
4	12	8810-12H-4-12P	8810-14H-4-12PA	8810-15H-4-12P
4	4	8810-12H-4-04PA	8810-14H-4-04PA	8810-15H-4-04P
7	38	8810-12H-7-38P	8810-14H-7-38P	8810-15H-7-38PA
5	37	8810-12H-5-37P	8810-14H-5-37PA	8810-15H-5-37P
5	1	8810-12H-5-01P	8810-14H-5-01PA	8810-15H-5-01P
6	68	8810-12H-6-68P	8810-14H-6-68PA	8810-15H-6-68P
6	4 + 2	8810-12H-6-04P	8810-14H-6-04PA	8810-15H-6-04P

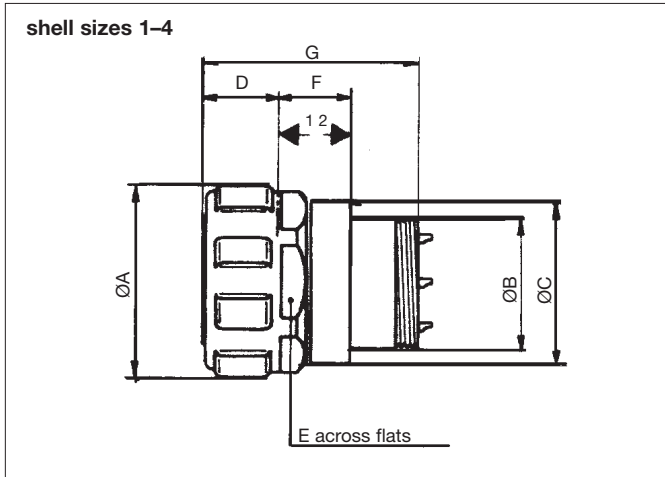


Contacts layouts (Plug back face view)

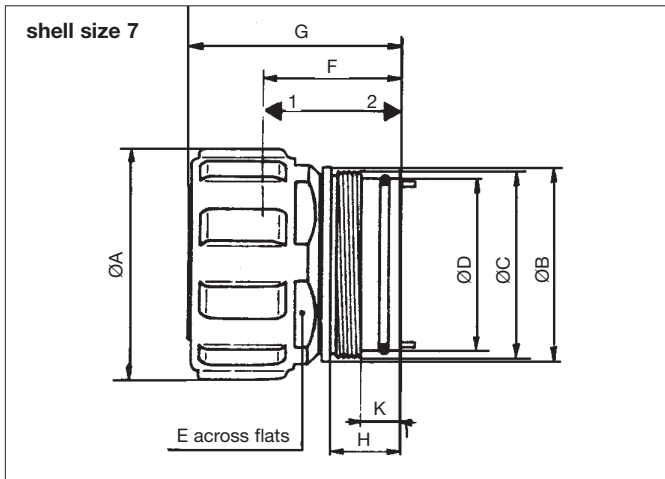
layouts		size 20 contacts	size 16 contacts	power contacts
shell size	number of contacts	contact diameter : 1,0 mm / 0.039 wire size max : 0.93mm ² current rating per contact : 7.5A max	contact diameter : 1.57 mm / 0.062 wire size max : 1.34 mm ² current rating per contact : 15A max.	contact diameter : see below wire size max : see below current rating : see below
1	4	4 # 20 0.93 mm ² 		
2	7 4 1	7 # 20 0.93 mm ² 	4 # 16 1.34 mm ² 	1 Ø 7 100 A 16 mm ² 
3	12	12 # 20 0.93 mm ² 		
4	19 12 4	19 # 20 0.93 mm ² 	12 # 16 1.34 mm ² 	4 # 8 45 A per contact 4 mm ² 
7	38	38 # 20 0.93 mm ² 		
5	37 1		37 # 16 1.34 mm ² 	1 Ø 18 400 A 185 mm ² 
6	68 4		68 # 16 1.34 mm ² 	4 Ø 10 150 A per contact 70 mm ² 



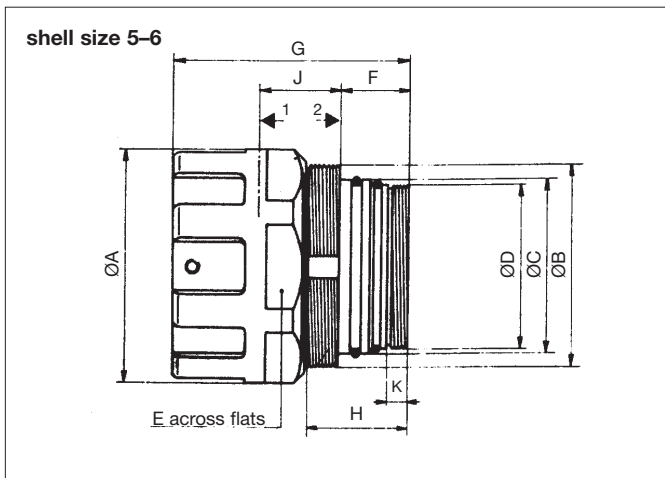
Dimensions plugs (series 36H)



shell size	1	2	3	4
A Max	30.00 1.181	33.50 1.319	39.00 1.535	43.50 1.713
B iso	16.8x0.5	20x0.75	25.5x0.75	30x0.75
C Max	24.20 .953	27.70 1.091	33.20 1.307	37.70 1.484
E Max	26 1.024	29 1.142	34 1.339	38 1.496
D Max	17.30 .681	17.30 .681	18.30 .720	19.30 .760
F Max	16.80 .661	16.80 .661	15.80 .662	14.80 .583
G Max	50.10 1.972	50.10 1.972	50.10 1.972	50.10 1.972



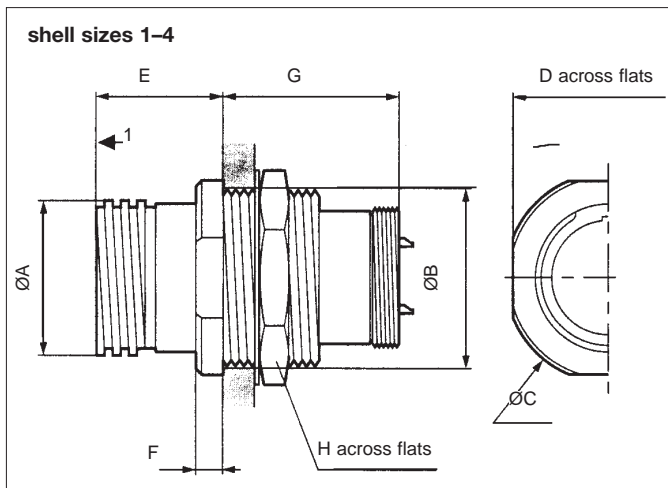
shell size	7
A Max	60.50 2.382
B Max	50.00 1.969
C iso	48x0.75
D	44.2f8 1.74f8
E Max	51.50 2.028
F Max	36.30 1.429
H Max	18.60 .732
G Max	56.00 2.205
K Max	10.70 .421



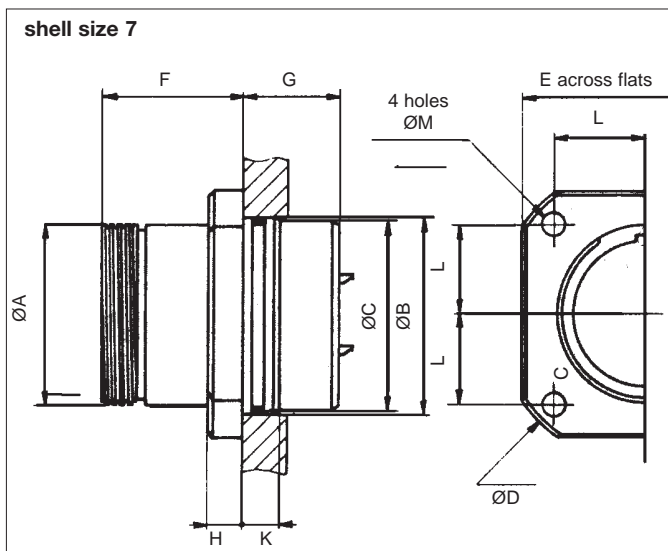
shell size	5	6
A Max	87.30 3.437	110.30 4.343
B iso	74x1.5	96x2
C	62.5 f7 2.46f7	82.5 f8 3.25f8
D iso	58x1.5	77x1.5
E Max	80.00 3.150	100.00 3.937
F Max	32.50 1.280	32.50 1.280
J Max	37.50 1.476	37.50 1.476
G Max	112.50 4.429	112.50 4.429
K Max	10.60 .417	10.60 .417
H Max	48.50 1.909	48.50 1.909



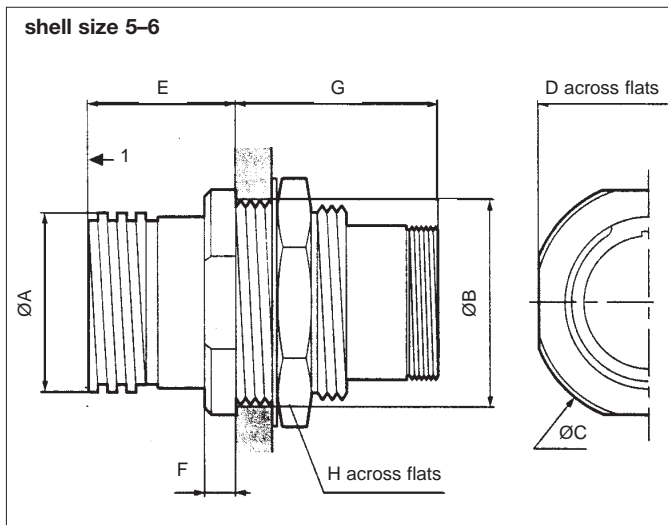
jam nut receptacles (series 10H)



shell size	1	2	3	4
A Max	22.10 .870	25.10 .988	30.10 1.185	34.60 1.362
B iso	23.5x1	26.5x1	32x1	36.5x1
C Max	35.00 1.378	38.50 1.516	44.50 1.752	49.50 1.949
D Max	32.10 1.264	35.10 1.382	41.60 1.638	46.10 1.815
E Max	24.00 .945	24.00 .945	25.00 .984	26.00 1.024
F Max	5.00 .197	5.00 .197	5.00 .197	5.00 .197
G Max	34.50 1.358	34.50 1.358	34.50 1.358	34.50 1.358
H Max	27.00 1.063	30.00 1.181	36.00 1.417	41.00 1.614



shell size	7
A Max	48.00 1.890
B (H8)	51.40 2.024
C	50.60 1.992
D Max	80.00 3.150
E Max	66.00 2.598
F Max	38.00 1.496
G Max	26.00 1.024
H Max	9.00 .354
K Max	9.50 .374
L	24.00 .945
M	5.70 .224

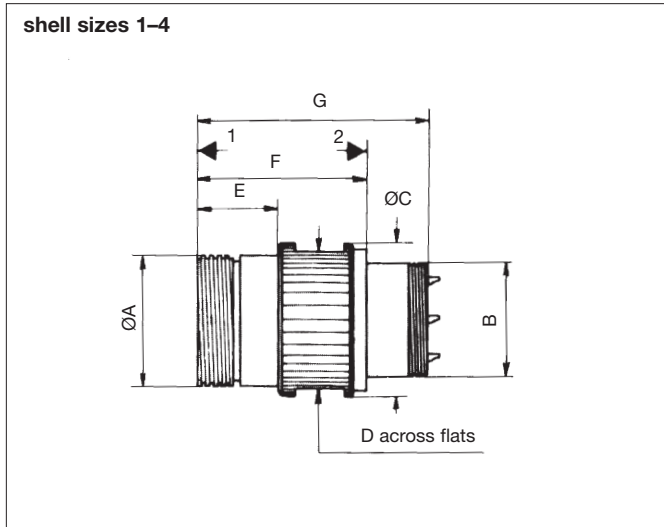


shell size	5	6
A Max	72.00 2.835	93 3.661
B iso	70x2	89x2
C Max	94.00 3.701	125.00 4.921
D Max	85.00 3.346	111.00 4.370
E Max	60.80 2.394	60.80 2.394
F Max	14.50 .571	14.50 .571
G Max	74.00 2.913	74.00 2.913
H Max	80.00 3.150	104.00 4.094

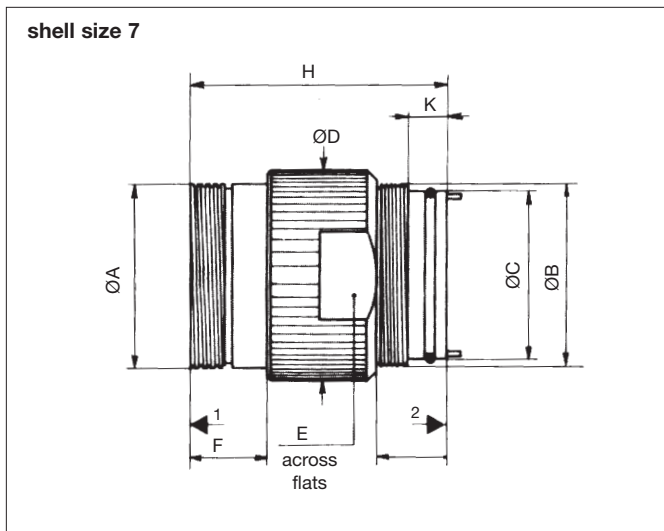
SOURIAU 8810 Series



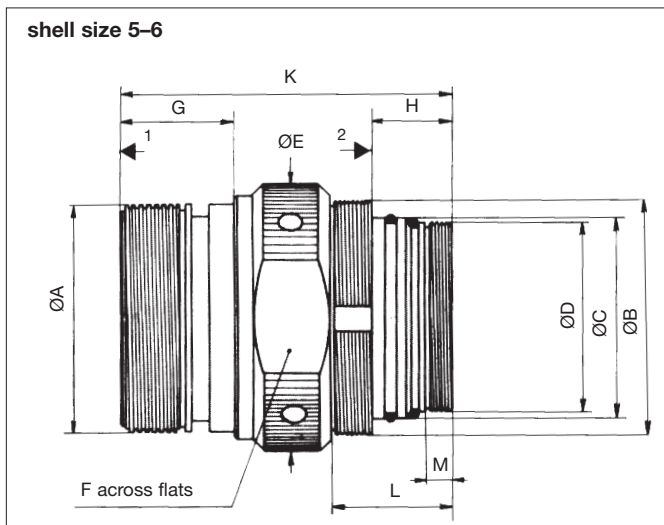
cable connecting receptacles (series 11H)



shell size	1	2	3	4
A Max	22.10 .870	25.10 .988	30.10 1.185	34.60 1.362
B iso	16.8x0.5	20x0.75	25.5x0.75	30x0.75
C Max	26.50 1.043	30.00 1.181	35.00 1.378	40.00 1.575
D Max	24.10 .949	27.10 1.067	32.10 1.264	36.10 1.421
E Max	19.00 .748	19.00 .748	20.00 .787	21.0 .827
F Max	42.10 1.657	42.10 1.657	43.10 1.697	44.10 1.736
G Max	58.10 2.287	58.10 2.287	59.10 2.327	60.10 2.366



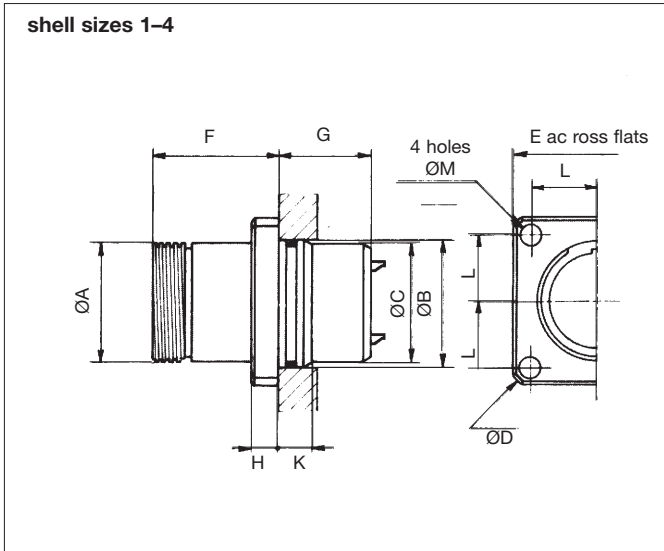
A Max	48.10 1.894
B iso	48x0.75
C	44.2f8 1.74f8
D Max	55.50 2.185
E Max	50.00 1.969
F Max	20.70 .815
G Max	18.60 .732
H Max	66.90 2.634
K Max	10.70 .421



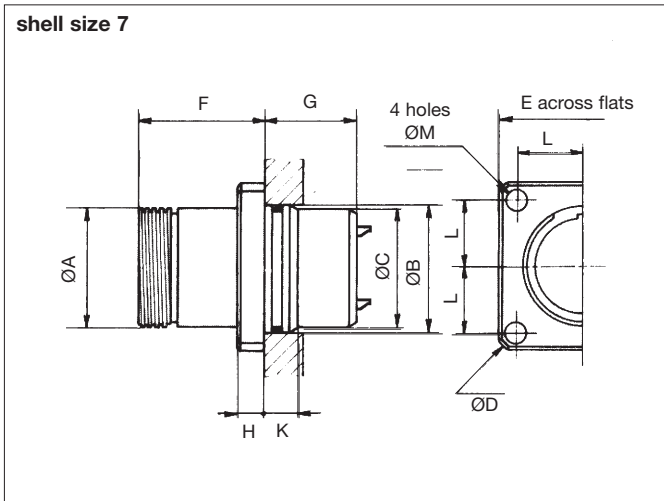
shell size	5	6
A Max	72.00 2.835	93.00 3.661
B iso	74x1.5	96x2
C	62.5f7 2.28f7	82.5f8 3.25f8
D iso	58x1.5	77x1.5
E Max	89.10 3.508	110.10 4.335
F Max	80.00 3.150	101.00 3.976
G Max	46.30 1.823	46.30 1.823
H Max	32.50 1.280	32.50 1.280
K Max	135.20 5.323	135.20 5.323
L Max	50.50 1.988	50.50 1.988
M Max	10.60 .417	10.60 .417



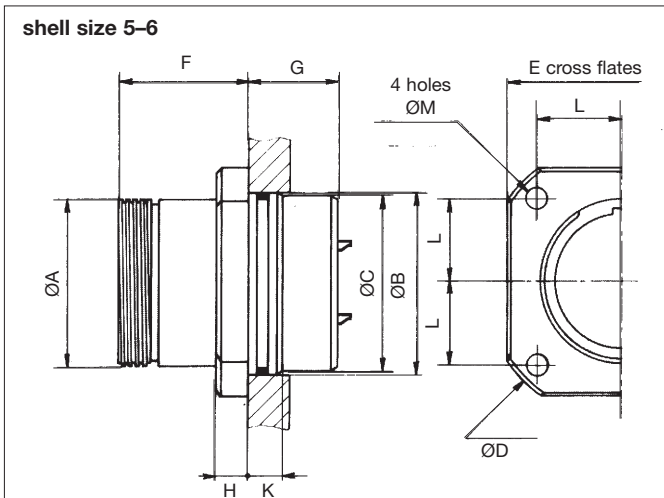
square flange receptacles (series 15H)



shell size	1	2	3	4
A Max	22.10 .870	25.10 .988	30.10 1.185	34.60 1.362
B (H8)	23.60 .929	26.60 1.047	32.10 1.264	36.60 1.441
C Max	22.90 .902	25.90 1.020	31.30 1.232	35.80 1.409
D Max	49.50 1.949	53.50 2.106	59.60 2.346	64.60 2.543
E Max	36.00 1.417	39.00 1.535	45.00 1.772	49.00 1.929
F Max	34.10 1.343	34.10 1.343	36.10 1.421	37.10 1.461
G Max	24.20 .953	24.20 .953	23.20 .913	23.20 .913
H Max	8.00 .315	8.00 .315	8.00 .315	8.00 .315
K Max	9.50 .374	9.50 .374	9.50 .374	9.50 .374
L Max	13.50 .531	15.00 .591	17.00 .669	19.00 .748
M	4.70 .185	4.70 .185	5.70 .224	5.70 .224



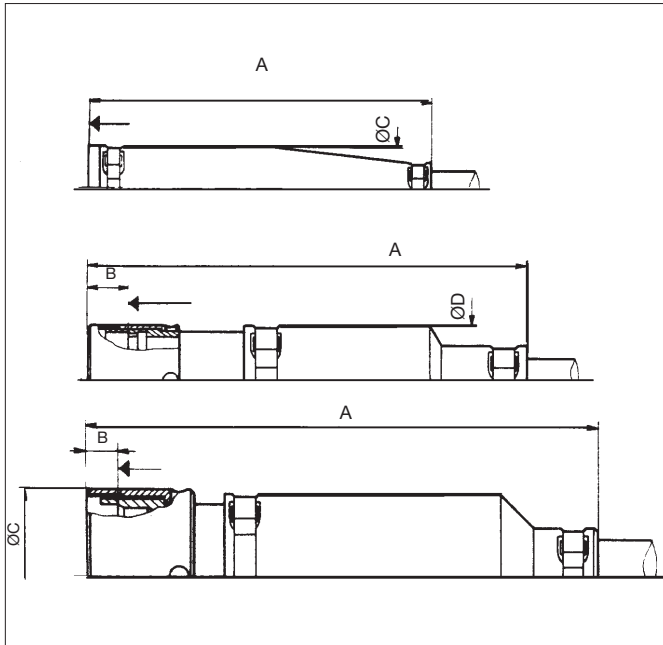
shell size	7
A Max	48.10 1.894
B (H8)	51.40 2.024
C	50.60 1.992
D Max	80.00 3.150
E Max	66.00 2.598
F Max	38.10 1.500
G Max	26.20 1.031
H Max	9.00 .354
K Max	9.50 .374
L	24.00 .945
M	5.70 .224



shell size	5	6
A Max	72.00 2.835	93.00 3.661
B (H8)	70.10 2.760	89.10 3.508
C	69.20 2.724	88.20 3.472
D Max	110.00 4.331	138.00 5.433
E Max	86.10 3.390	105.10 4.138
F Max	71.00 2.795	73.10 2.878
G Max	63.40 2.496	61.40 2.417
H Max	15.00 .591	15.00 .591
K Max	19.00 .748	19.00 .748
L	33.00 1.299	40.00 1.575
M	8.70 .343	10.70 .421



Standard endbells Dimensions



dimensions	shell size			
	1	2	3	4
A Max	105.00 4.134	119.00 4.685	135.00 5.315	149.00 5.866
C Max	26.00 1.024	29.40 1.157	35.70 1.406	40.70 1.602

dimensions	shell size
	7
A Max	210.00 8.268
B Max	18.60 .732
C Max	50.00 1.969

dimensions	shell size	
	5	6
A Max	230.00 9.055	280.00 11.024
B Max	14.90 .587	14.90 .587
C Max	79.00 3.110	99.00 3.898

ordering information

shell size	cable diameter	part number
1	7.8-8.8	8810-13-078-088
1	8.7-9.7	8810-13-087-097
1	9.5-10.5	8810-13-095-105
1	10.5-11.5	8810-13-105-115
2	9.3-10.3	8810-23-093-103
2	10.3-11.3	8810-23-103-113
2	11.0-12.0	8810-23-110-120
2	12.0-13.0	8810-23-120-130
3	9.5-11.0	8810-33-095-110
3	11.0-12.5	8810-33-110-125
3	12.5-14.0	8810-33-125-140
3	14.0-15.5	8810-33-140-155
4	11.2-12.7	8810-43-112-127
4	12.7-14.2	8810-43-127-142
4	14.0-15.5	8810-43-140-155
4	15.5-17.0	8810-43-155-170

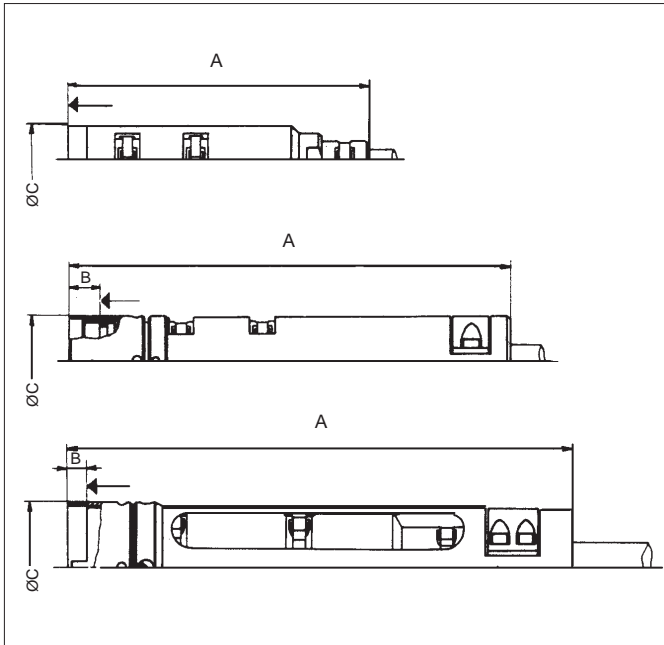
shell size	cable diameter	part number
7	18.0-20.0	8810-73-180-200
7	20.0-22.0	8810-73-200-220
7	22.0-24.0	8810-73-220-240
7	24.0-26.0	8810-73-240-260
7	26.0-28.0	8810-73-260-280
5	15.0-20.0	8810-53-150-200
5	20.0-25.0	8810-53-200-250
5	25.0-30.0	8810-53-250-300
5	30.0-35.0	8810-53-30-350
6	22.0-28.0	8810-63-220-280
6	28.0-34.0	8810-63-280-340
6	34.0-40.0	8810-63-340-400
6	40.0-45.0	8810-63-400-450
6	45.0-50.0	8810-63-450-500

Adaptors are available to enable next larger shell size clamp to be fitted - Please consult us.

In shell size 1 to 7
Custom design end-bells are developed for other cable dimensions, please consult us



Longitudinally sealed endbells Dimensions



dimensions	shell size			
	1	2	3	4
A Max	146.00 .5748	153.00 .6024	160.00 .6299	167.00 .6575
B Max	-	-	-	-
C Max	24.70 .972	28.20 1.110	33.70 1.327	38.20 1.504

dimensions	shell size	
	7	
A Max	2430 9.567	
B Max	17.90 .705	
C Max	50.00 1.969	

dimensions	shell size	
	5	6
A Max	383.00 15.079	392.00 15.433
B Max	15.00 .591	15.00 .591
C Max	80.10 3.154	90.00 3.898

ordering information

shell size	cable diameter	part number	
1	7.8-8.8	8810-13-	078-088
1	8.7-9.7	8810-13-	087-097
1	9.5-10.5	8810-13-	095-105
1	10.5-11.5	8810-13-	105-115
2	9.3-10.3	8810-23-	093-103
2	10.3-11.3	8810-23-	103-113
2	11.0-12.0	8810-23-	110-120
2	12.0-13.0	8810-23-	120-130
3	9.5-11.0	8810-33-	095-110
3	11.0-12.5	8810-33-	110-125
3	12.5-14.0	8810-33-	125-140
3	14.0-15.5	8810-33-	140-155
4	11.2-12.7	8810-43-	112-127
4	12.7-14.2	8810-43-	127-142
4	14.0-15.5	8810-43-	140-155
4	15.5-17.0	8810-43-	155-170

insert appropriate contact number - see page contacts layouts.

shell size	cable diameter	part number	
7	18.0-20.0	8810-73-	180-200
7	20.0-22.0	8810-73-	200-220
7	22.0-24.0	8810-73-	220-240
7	24.0-26.0	8810-73-	240-260
7	26.0-28.0	8810-73-	260-280
5	15.0-20.0	8810-53-	150-200
5	20.0-25.0	8810-53-	200-250
5	25.0-30.0	8810-53-	250-300
5	30.0-35.0	8810-53-	30-350
6	22.0-28.0	8810-63-	220-280
6	28.0-34.0	8810-63-	280-340
6	34.0-40.0	8810-63-	340-400
6	40.0-45.0	8810-63-	400-450
6	45.0-50.0	8810-63-	450-500

insert appropriate contact number - see page contacts layouts.

Adaptors are available to enable next larger shell size clamp to be fitted

For shell size 1 to 7

Custom design endbells are developed for other cable OD dimensions, please consult us.

For shell size 4 with a cable OD >17mm 0.669, the adaptor 8810 6524 has to be used.