

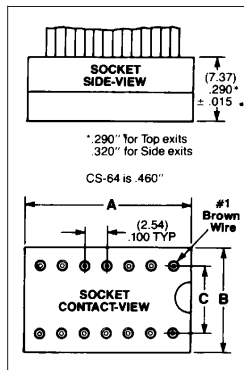
# CABLE SOCKETS CS SERIES

**Mates with:**  
AP, APS, APO,  
APA, APE, APH

**Note:**  
CS Series assemblies  
are non-standard, non-  
returnable.

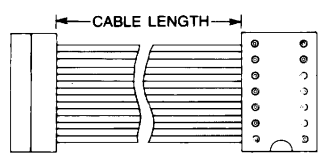


**CS = Cable Socket**



A	B	C	No. of Contacts
(11.43) .450			- 8
(19.05) .750			- 14
(21.59) .850	(11.94) .470	(7.62) .300	- 16
(24.13) .950			- 18
(26.67) 1.050			- 20
(29.21) 1.150	(14.48) .570	(10.16) .400	- 22
(31.62) 1.245			- 24
(36.70) 1.445	(20.19) .795	(15.24) .600	- 28
(51.94) 2.045			- 40
(82.55) 3.250	(27.18) 1.070	(22.86) .900	- 64

**Specify Cable length  
in INCHES (± 1/4")  
2 inches minimum**



**-TP**  
= Twisted  
Pair Cable

**-T**  
= Tin  
Plate

**-ST'X'**  
= Stripped  
& Tinned

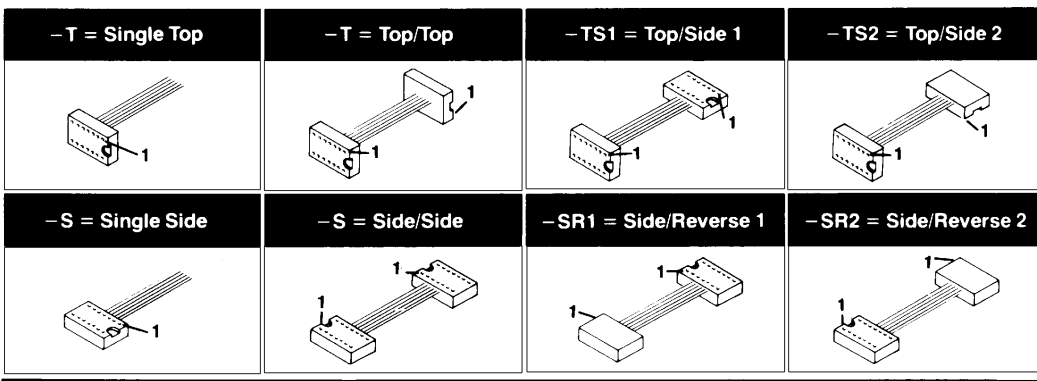
All dimensions  
are ± 1/16"

-ST8	1/8"
-ST4	1/4"
-ST2	1/2"
-ST3	3/8"

## Specifications:

**CS**  
Same as CP except:  
**Insulation Material:** Black  
G. F. Polyester & Nylon  
**Contact:** BeCu **Shell:** Brass  
**Contact Resistance:**  
10 milliohms @ 200 milliamp  
**Lead Size Range:** .015" to  
.022" DIA and most IC leads  
**Lead Insertion Depth:**  
.095" to .150"  
**Insertion Force:** 9oz avg,  
16 oz max (.017" DIA probe);  
**Withdrawal Force** 2.5oz  
avg, 1.5 oz min (after 12  
insertions with .017" DIA)

CS Entry Styles	
Contacts	Styles
8	T, S
14	T, S
16	T, S
18	T, S
20	T
22	T, S
24	T, S
28	T
40	T
64	T



## Combination Assemblies

When a socket and plug combination assembly is required, specify the part number from the drawings below.

- Top/Top combinations are available on all assemblies except 48 conductors.
- Top/Side and Side/Side combinations are available on 8, 14, 16, 18, 22 and 24 conductor assemblies.

