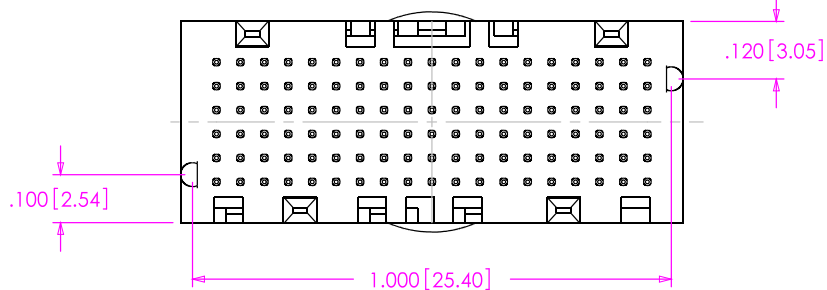
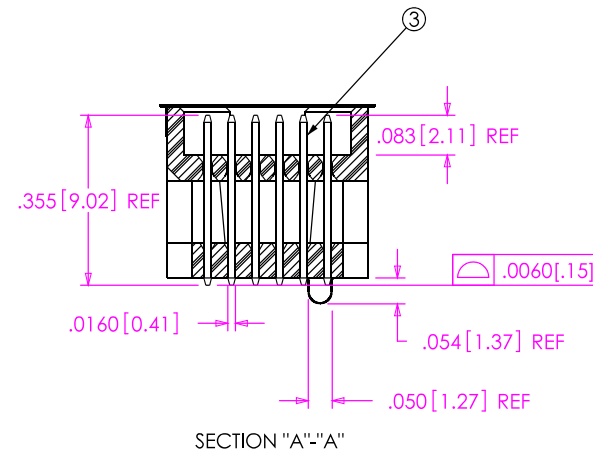
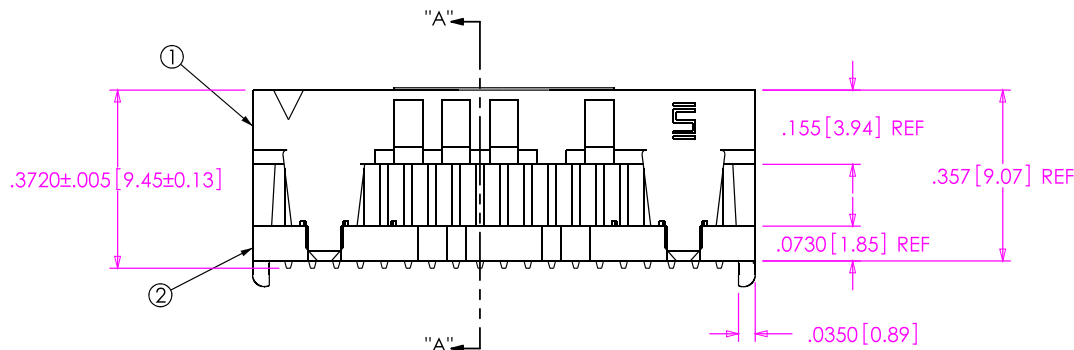
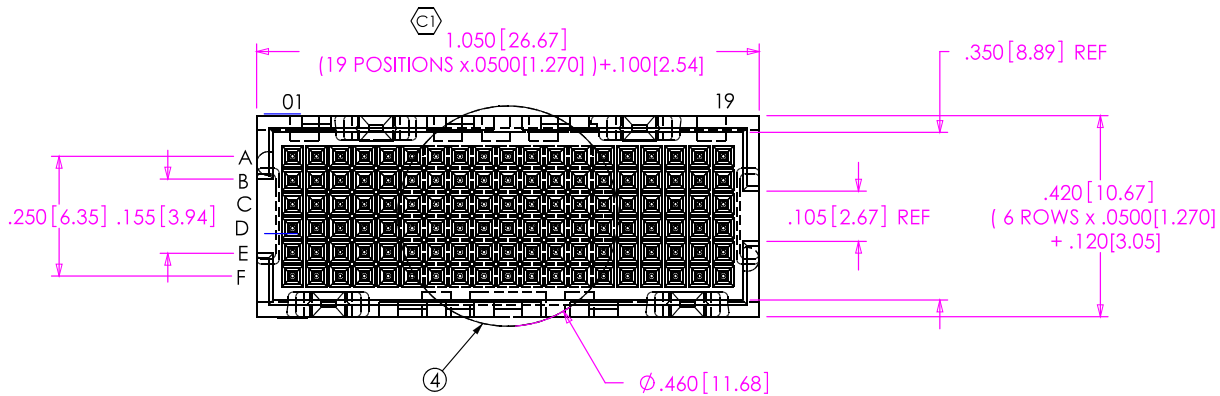
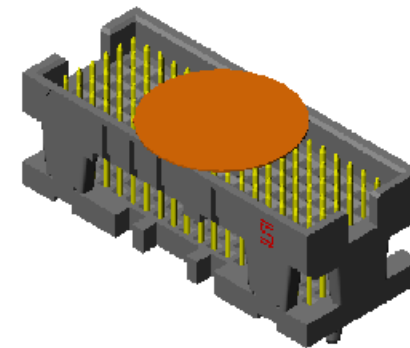


DO NOT SCALE FROM THIS PRINT

NOTES:

1. ITEMS -1, -2, & -3 NOT AVAILABLE AS STANDARD.
2. Ⓢ REPRESENTS A CRITICAL DIMENSION.
3. MINIMUM PUSHOUT FORCE: .5 LB.
4. MAXIMUM ALLOWABLE BOW: TOP/BOTTOM: .004[.10], SIDE/SIDE: .003[.08].
5. PARTS TO BE PACKAGED IN TAPE & REEL.
6. THIS CONNECTOR IS NOT CAPABLE OF WITHSTANDING TYPICAL LEAD FREE PROCESSING TEMPERAURES.



UNLESS OTHERWISE SPECIFIED, DIMENSIONS ARE IN INCHES.
 TOLERANCES ARE:
 DECIMALS ANGLES
 .XX: ±.01[.3] 2°
 .XXX: ±.005[.13]
 .XXXX: ±.0020[.051]

PROPRIETARY NOTE

THIS DOCUMENT CONTAINS INFORMATION CONFIDENTIAL AND PROPRIETARY TO SAMTEC, INC. AND SHALL NOT BE REPRODUCED OR TRANSFERRED TO OTHER DOCUMENTS OR DISCLOSED TO OTHERS OR USED FOR ANY PURPOSE OTHER THAN THAT WHICH IT WAS OBTAINED WITHOUT THE EXPRESSED WRITTEN CONSENT OF SAMTEC, INC.



520 PARK EAST BLVD, NEW ALBANY, IN 47150
 PHONE: 812-944-6733 FAX: 812-948-5047
 e-Mail: info@SAMTEC.com code: 55322

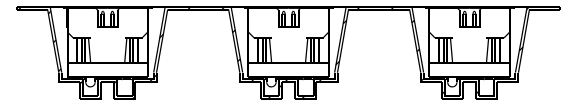
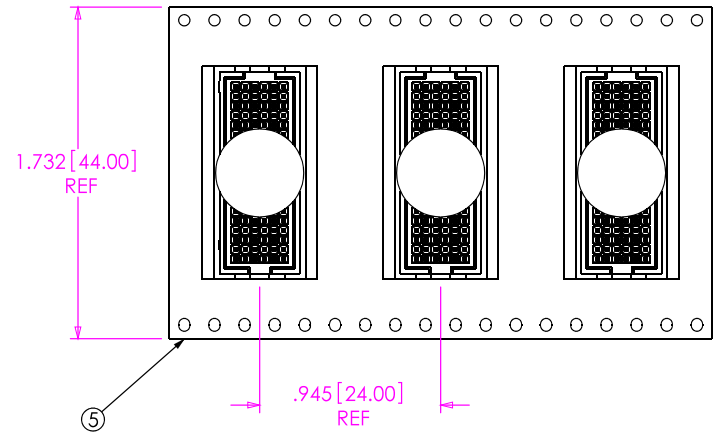
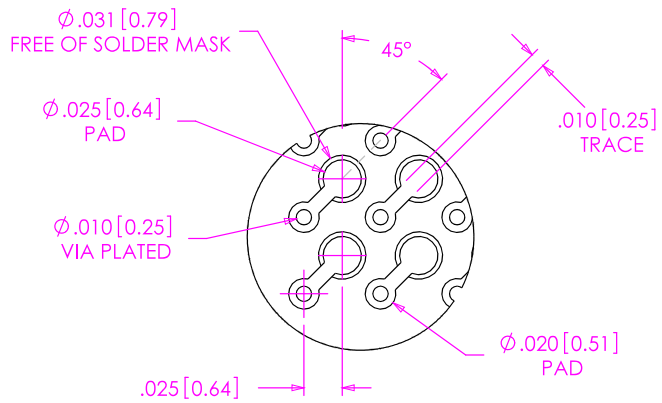
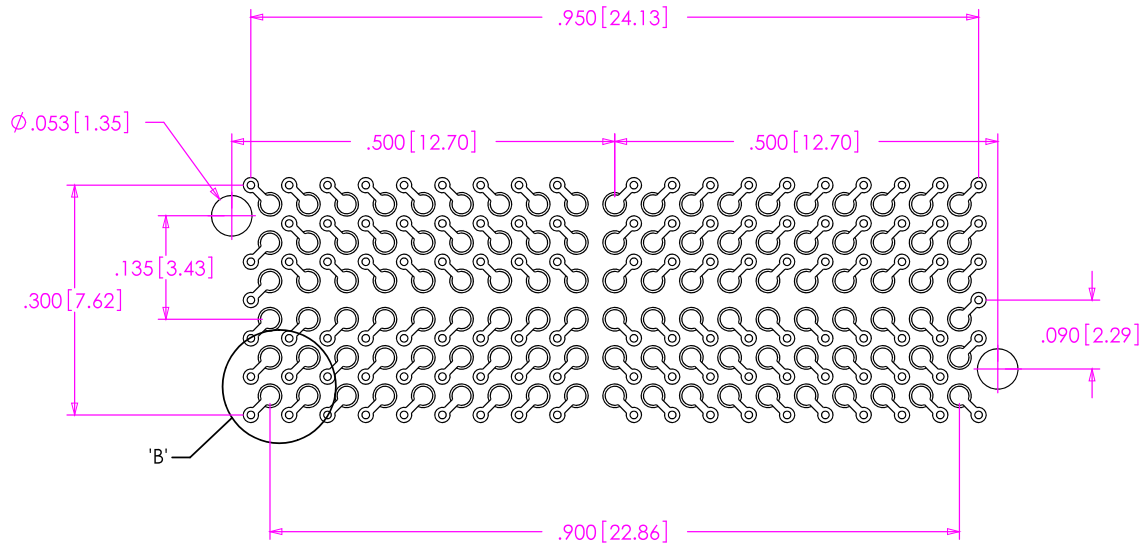
DO NOT SCALE DRAWING SHEET SCALE: 2.5:1
 PLATING:
 ENTIRE PIN: .000030 GOLD OVER .000050 NICKEL

DESCRIPTION:
 .050 CENTERLINE TERMINAL ASSEMBLY

DWG. NO. ASP-105885-01

BY: T.WERNE 4/7/2003 SHEET 1 OF 2

ITEM NO.	PART NUMBER	QUANTITY	MATERIAL
1	ASP-105991-01-B	1.0000	VECTRA E130i, COLOR: BLACK, UL RATING 94V-0
2	ASP-105991-02-B	1.0000	VECTRA E130i, COLOR: BLACK
3	ASP-105992-02-P-H	114.00	BRASS ALLOY 260, 3/4 HARD
4	K-850-650	1.0000	POLYAMIDE FILM (KAPTON)
5	CT-ASP1232MS	1.0000	CONDUCTIVE POLYMER



USER DIRECTION OF UNREELING →
POCKET NOT DETAILED

PACKAGING VIEW

PROPRIETARY NOTE

THIS DOCUMENT CONTAINS INFORMATION CONFIDENTIAL AND PROPRIETARY TO SAMTEC, INC. AND SHALL NOT BE REPRODUCED OR TRANSFERRED TO OTHER DOCUMENTS OR DISCLOSED TO OTHERS OR USED FOR ANY PURPOSE OTHER THAN THAT WHICH IT WAS OBTAINED WITHOUT THE EXPRESSED WRITTEN CONSENT OF SAMTEC, INC.



520 PARK EAST BLVD, NEW ALBANY, IN 47150
PHONE: 812-944-6733 FAX: 812-948-5047
e-Mail: info@SAMTEC.com code: 55322

SHEET SCALE: 4:1



DESCRIPTION:
.050 CENTERLINE TERMINAL ASSEMBLY

DWG. NO. ASP-105885-01

BY: T.WERNE 4/7/2003 SHEET 2 OF 2