

SIDE ROTARY

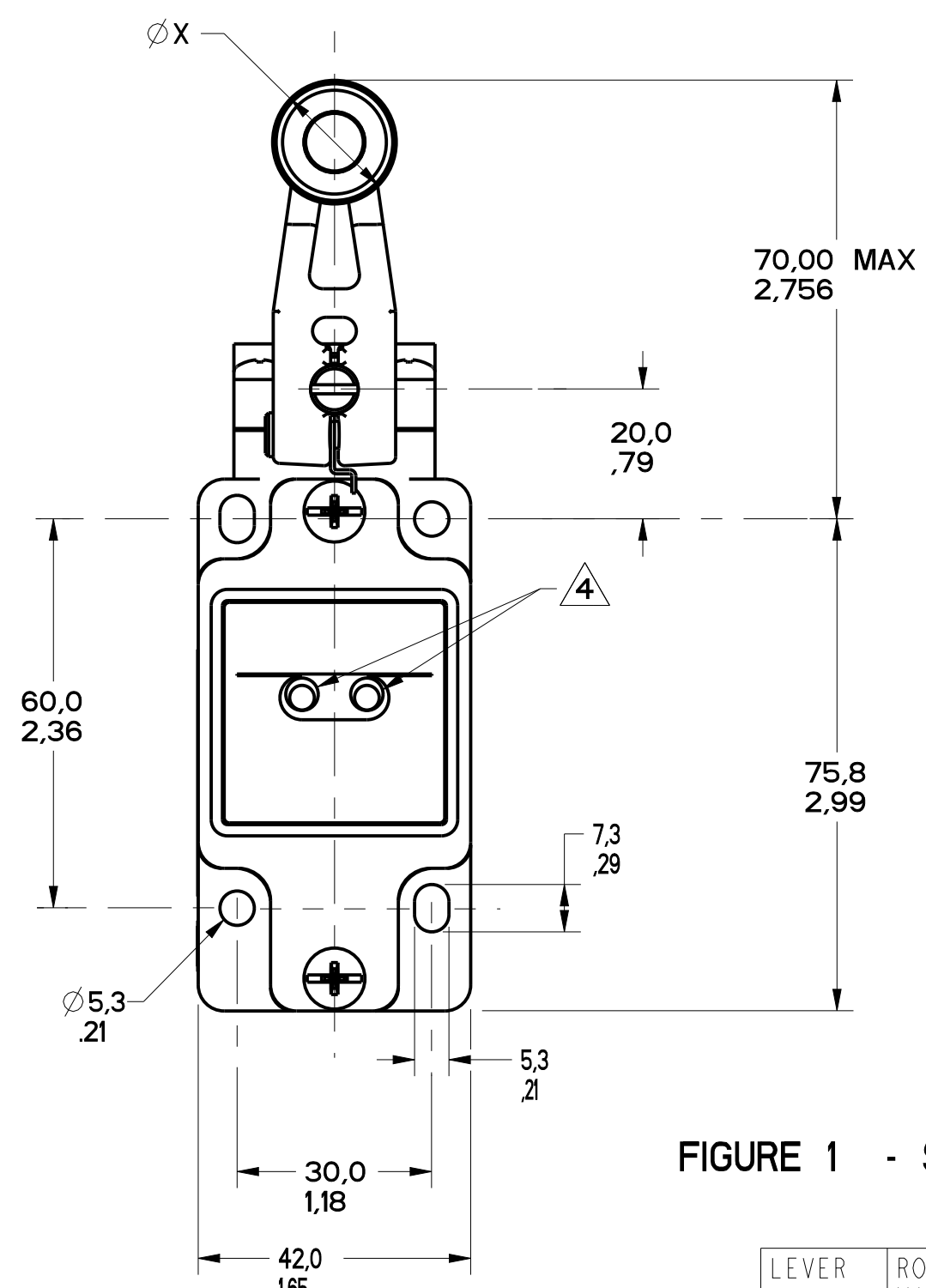
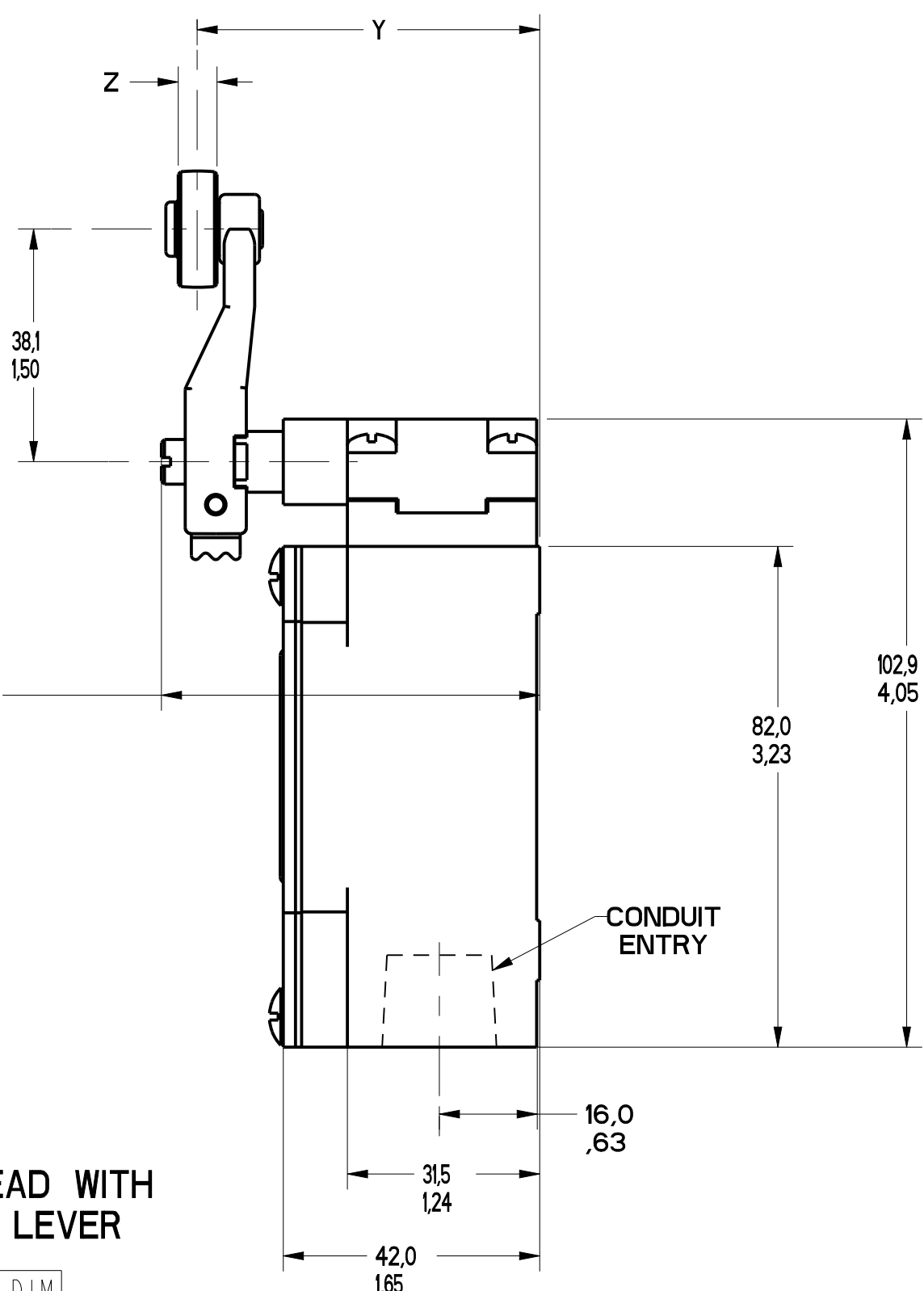


FIGURE 1 - SIDE ROTARY HEAD WITH GLZ51 SERIES LEVER

LEVER	ROLLER MATL	X DIM	Y DIM	Z DIM
GLZ51A	NYLON	19.1 .75	55.9 2.20	6.4 .25
GLZ51B	STEEL	19.1 .75	55.9 2.20	6.4 .25
GLZ51C	NYLON	24.5 1.00	59.1 2.33	12.7 .50
GLZ51Y	RUBBER	50.0 1.97	66.1 2.60	10.0 .39
GLZ51T	STAINLESS STEEL	19.1 .75	56.8 2.24	8.8 .345



GLZ54J: 200.00 / 7.870 MAX  
GLZ54K: 140.00 / 5.510 MAX  
ALUMINUM ROD

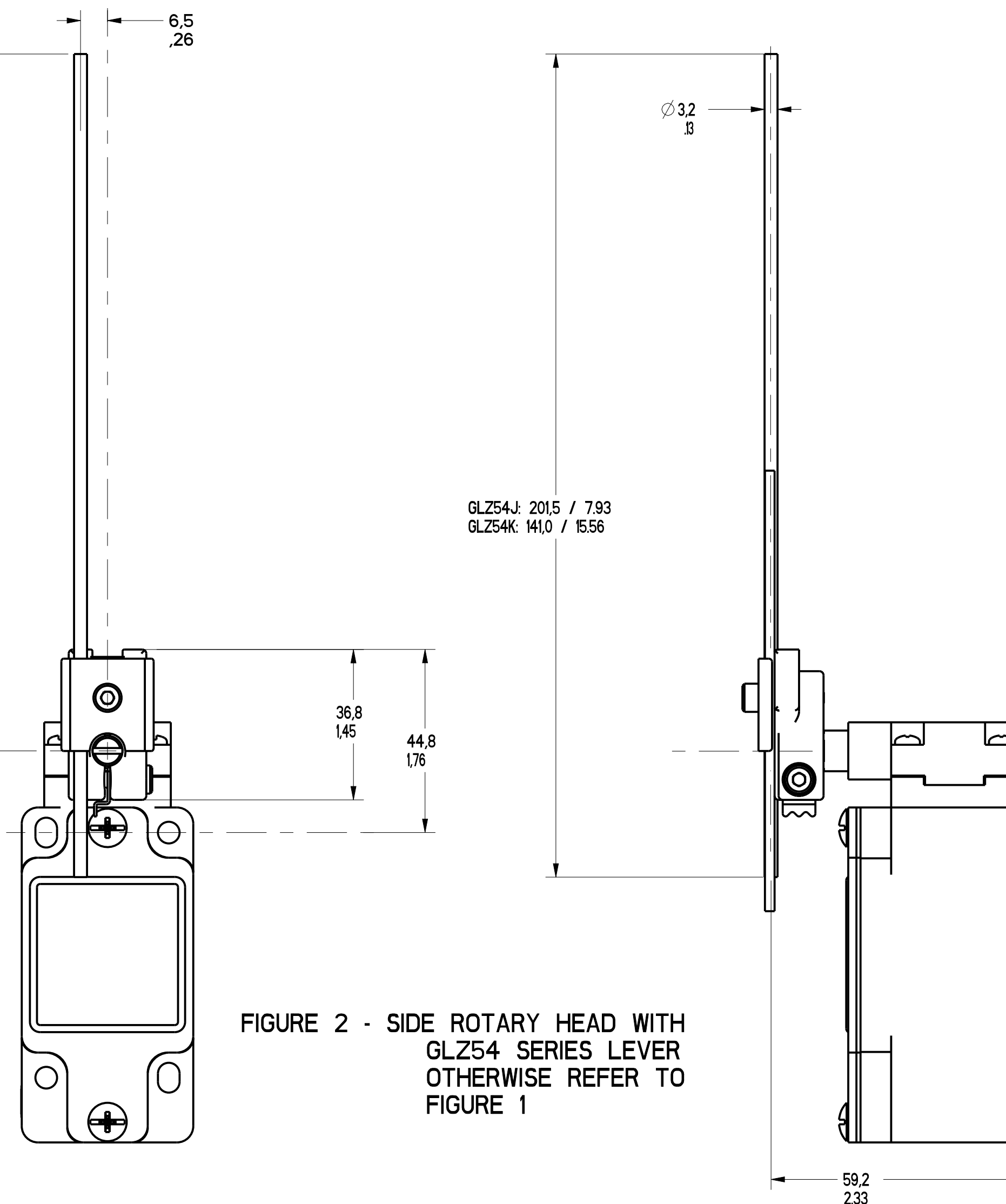


FIGURE 2 - SIDE ROTARY HEAD WITH GLZ54 SERIES LEVER OTHERWISE REFER TO FIGURE 1

FIGURE	CATALOG LISTING	CONDUIT ENTRY
1A	GL*A SERIES	1/2-14 NPT
1B	GL*B SERIES	PG13.5
1C	GL*C SERIES	20mm
1D	GL*D SERIES	PF1/2

ELECTRICAL RATING		△5 / △8		GOLD PLATED CONTACTS
AC	DC	AC	DC	
A600 Ue	AC15 Ie	0300 Ue	DC13 Ie	1V 10µA MIN 50V 100mA MAX
(VOLTS)	(AMPS)	(VOLTS)	(AMPS)	
120	6	24	2.8	
240	3	125	.55	
380	1.9	250	.27	
480	1.5			
500	1.4			
600	1.2			

ENVIRONMENTAL RATING
IP67
NEMA/UL TYPES 1, 4, 12, 13

CATALOG LISTING	BODY DIMENSIONS, FIGURE	HEAD DIMENSIONS, FIGURE	HEAD ACTUATION, FIGURE
GLA***	I	N/A	N/A
GLF***	I	N/A	N/A
GLH***	I	N/A	N/A
GLA***	1A	N/A	N/A
GLB***	1B	N/A	N/A
GLC***	1C	N/A	N/A
GLD***	1D	N/A	N/A
GL***A1*	I	1	8
GL***A2*	I	3	9
GL***A4*	I	2	10
GL***A5*	I		8
GL***B	I	4	11
GL***C	I	5	13A, 13B
GL***D	I	6	14A, 14B
GL***E7A	I	7A	12
GL***E7B	I	7	12
GL***E7C	I	7E	15
GL***E7D	I	7B	12
GL***K8A	I	7C	15
GL***K8B	I	7D	15
GL***K8C	I	7	15

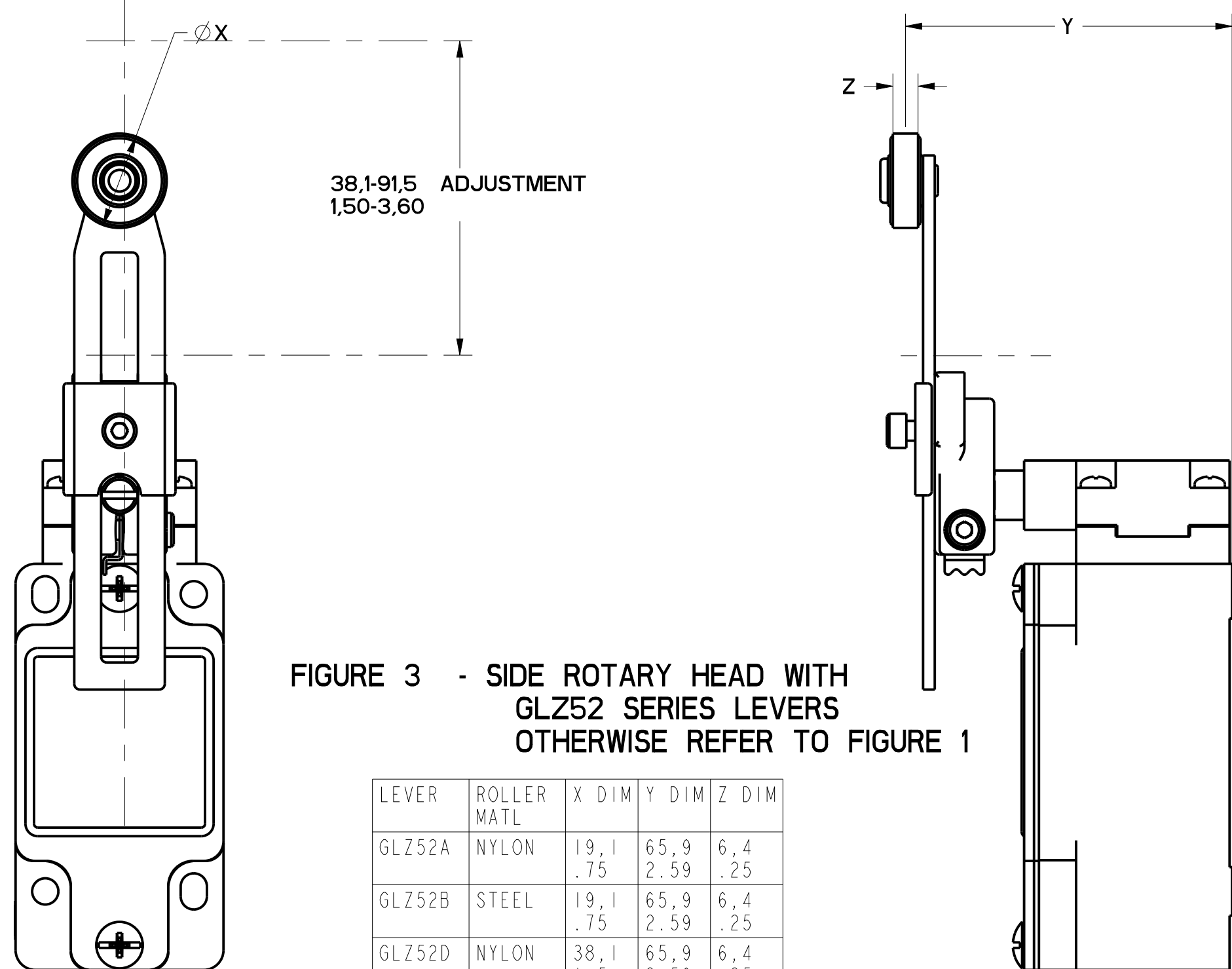


FIGURE 3 - SIDE ROTARY HEAD WITH GLZ52 SERIES LEVERS OTHERWISE REFER TO FIGURE 1

LEVER	ROLLER MATL	X DIM	Y DIM	Z DIM
GLZ52A	NYLON	19.1 .75	65.9 2.59	6.4 .25
GLZ52B	STEEL	19.1 .75	65.9 2.59	6.4 .25
GLZ52D	NYLON	38.1 1.5	65.9 2.59	6.4 .25
GLZ52E	NYLON	19.1 .75	79.37 3.125	33.07 1.300
GLZ52W	RUBBER	40.0 1.6	71.5 2.81	12.7 .5
GLZ52Y	RUBBER	50.0 1.97	68.8 2.71	10.0 .39

NOTES  
 1 - HEADS MAY BE INDEXED IN 90° INCREMENTS  
 2 - LEVERS MAY BE KEYED TO THE SHAFT AT 90° INCREMENTS. THEY MAY ALSO BE ATTACHED, BUT NOT KEYED ANYWHERE ON THE SHAFT.  
 3 - FOR ADDITIONAL LEVERS SEE "M" DRAWING CHART GLZ5  
 4 - THE LEFT INDICATOR IS GREEN AND INDICATES "POWER ON" IT IS ON GLH SERIES PRODUCTS ONLY. THE RIGHT INDICATOR IS YELLOW AND INDICATES "OUTPUT STATUS" IT IS ON GLF AND GLH SERIES PRODUCTS ONLY.  
 5 - THE MAXIMUM VOLTAGE, V<sub>e</sub> OF GLF AND GLH SERIES PRODUCTS IS THE MAXIMUM RATED VOLTAGE OF INDICATION LIGHTS  
 6 - FREE POSITION, OPERATE POINT, OVERTRAVEL AND PRETRAVEL ALL TO EN50041  
 7 - CAM TRAVEL FOR FIG 9 ONLY APPLIES WHEN LEVER IS ADJUSTED TO 38.1 / 1.50  
 8 - THE MAXIMUM VOLTAGE, V<sub>e</sub> OF "06" AND "36" BASIC SWITCH CODE IS 300V (A300) TEMPERATURE RANGE  
 9 - (ALL PRODUCTS EXCEPT W/SIDE ROTARY OPERATING HEAD)  
 OPERATING: -25°C TO +85°C / -13°F TO +185°F  
 STORAGE: -40°C TO +85°C / -40°F TO +185°F  
 (PRODUCTS W/SIDE ROTARY OPERATING HEAD)  
 OPERATING: -40°C TO +85°C / -40°F TO +185°F  
 STORAGE: -40°C TO +85°C / -40°F TO +185°F

THIS DRAWING COVERS A PROPRIETARY ITEM AND IS THE PROPERTY OF MICRO SWITCH, A DIVISION OF HONEYWELL. THIS DRAWING IS NOT TO BE COPIED OR USED WITHOUT THE APPROVAL OF MICRO SWITCH.

FED. MFG. CODE 91929

**MICRO SWITCH**  
a Honeywell Division

SWITCH, ENCLOSED

CATALOG LISTING  
**GL SERIES CHART 1**

THIRD ANGLE PROJECTION

SCALE 1:1

DO NOT SCALE PRINT

TOLERANCES  
 APPLY TO DESIGN UNITS. CONVERSIONS ARE ONLY FOR REFERENCE. UNLESS NOTED, TOLERANCES ARE:

	DIM	TOL.	DIM	TOL.
NO PLACES	X	±0.004	X	±0.0005
TWO PLACES	X.X	±0.001	X.XX	±0.0005
THREE PLACES	X.XX	±0.0005	X.XXX	±0.0001

DESIGN UNITS:  SI METRIC  US CUSTOMARY

WEIGHT

MGL SERIES CHART 1  
 DRAWING NUMBER: 16  
 OF 13  
 RELEASE NO. PR-201782  
 CHECK: CMH  
 DATE: 12/01/12  
 CHECK: CMH  
 DATE: 05/01/10  
 CHECK: CMH  
 DATE: 02/23/09  
 CHECK: CMH  
 DATE: 03/21/06  
 CHECK: CMH  
 DATE: 04/26/02  
 CHECK: CMH  
 DATE: 04/06/00  
 CHECK: CMH  
 DATE: 02/10/99  
 CHECK: CMH  
 DATE: 02/10/95  
 CHECK: CMH  
 DATE: 02/10/92  
 CHECK: CMH  
 DATE: 02/10/88  
 CHECK: CMH  
 DATE: 02/10/85  
 CHECK: CMH  
 DATE: 02/10/82  
 CHECK: CMH  
 DATE: 02/10/78  
 CHECK: CMH  
 DATE: 02/10/75  
 CHECK: CMH  
 DATE: 02/10/72  
 CHECK: CMH  
 DATE: 02/10/68  
 CHECK: CMH  
 DATE: 02/10/65  
 CHECK: CMH  
 DATE: 02/10/62  
 CHECK: CMH  
 DATE: 02/10/58  
 CHECK: CMH  
 DATE: 02/10/55  
 CHECK: CMH  
 DATE: 02/10/52  
 CHECK: CMH  
 DATE: 02/10/48  
 CHECK: CMH  
 DATE: 02/10/45  
 CHECK: CMH  
 DATE: 02/10/42  
 CHECK: CMH  
 DATE: 02/10/38  
 CHECK: CMH  
 DATE: 02/10/35  
 CHECK: CMH  
 DATE: 02/10/32  
 CHECK: CMH  
 DATE: 02/10/28  
 CHECK: CMH  
 DATE: 02/10/25  
 CHECK: CMH  
 DATE: 02/10/22  
 CHECK: CMH  
 DATE: 02/10/18  
 CHECK: CMH  
 DATE: 02/10/15  
 CHECK: CMH  
 DATE: 02/10/12  
 CHECK: CMH  
 DATE: 02/10/08  
 CHECK: CMH  
 DATE: 02/10/05  
 CHECK: CMH  
 DATE: 02/10/02  
 CHECK: CMH  
 DATE: 02/10/98  
 CHECK: CMH  
 DATE: 02/10/95  
 CHECK: CMH  
 DATE: 02/10/92  
 CHECK: CMH  
 DATE: 02/10/88  
 CHECK: CMH  
 DATE: 02/10/85  
 CHECK: CMH  
 DATE: 02/10/82  
 CHECK: CMH  
 DATE: 02/10/78  
 CHECK: CMH  
 DATE: 02/10/75  
 CHECK: CMH  
 DATE: 02/10/72  
 CHECK: CMH  
 DATE: 02/10/68  
 CHECK: CMH  
 DATE: 02/10/65  
 CHECK: CMH  
 DATE: 02/10/62  
 CHECK: CMH  
 DATE: 02/10/58  
 CHECK: CMH  
 DATE: 02/10/55  
 CHECK: CMH  
 DATE: 02/10/52  
 CHECK: CMH  
 DATE: 02/10/48  
 CHECK: CMH  
 DATE: 02/10/45  
 CHECK: CMH  
 DATE: 02/10/42  
 CHECK: CMH  
 DATE: 02/10/38  
 CHECK: CMH  
 DATE: 02/10/35  
 CHECK: CMH  
 DATE: 02/10/32  
 CHECK: CMH  
 DATE: 02/10/28  
 CHECK: CMH  
 DATE: 02/10/25  
 CHECK: CMH  
 DATE: 02/10/22  
 CHECK: CMH  
 DATE: 02/10/18  
 CHECK: CMH  
 DATE: 02/10/15  
 CHECK: CMH  
 DATE: 02/10/12  
 CHECK: CMH  
 DATE: 02/10/08  
 CHECK: CMH  
 DATE: 02/10/05  
 CHECK: CMH  
 DATE: 02/10/02  
 CHECK: CMH  
 DATE: 02/10/98  
 CHECK: CMH  
 DATE: 02/10/95  
 CHECK: CMH  
 DATE: 02/10/92  
 CHECK: CMH  
 DATE: 02/10/88  
 CHECK: CMH  
 DATE: 02/10/85  
 CHECK: CMH  
 DATE: 02/10/82  
 CHECK: CMH  
 DATE: 02/10/78  
 CHECK: CMH  
 DATE: 02/10/75  
 CHECK: CMH  
 DATE: 02/10/72  
 CHECK: CMH  
 DATE: 02/10/68  
 CHECK: CMH  
 DATE: 02/10/65  
 CHECK: CMH  
 DATE: 02/10/62  
 CHECK: CMH  
 DATE: 02/10/58  
 CHECK: CMH  
 DATE: 02/10/55  
 CHECK: CMH  
 DATE: 02/10/52  
 CHECK: CMH  
 DATE: 02/10/48  
 CHECK: CMH  
 DATE: 02/10/45  
 CHECK: CMH  
 DATE: 02/10/42  
 CHECK: CMH  
 DATE: 02/10/38  
 CHECK: CMH  
 DATE: 02/10/35  
 CHECK: CMH  
 DATE: 02/10/32  
 CHECK: CMH  
 DATE: 02/10/28  
 CHECK: CMH  
 DATE: 02/10/25  
 CHECK: CMH  
 DATE: 02/10/22  
 CHECK: CMH  
 DATE: 02/10/18  
 CHECK: CMH  
 DATE: 02/10/15  
 CHECK: CMH  
 DATE: 02/10/12  
 CHECK: CMH  
 DATE: 02/10/08  
 CHECK: CMH  
 DATE: 02/10/05  
 CHECK: CMH  
 DATE: 02/10/02  
 CHECK: CMH  
 DATE: 02/10/98  
 CHECK: CMH  
 DATE: 02/10/95  
 CHECK: CMH  
 DATE: 02/10/92  
 CHECK: CMH  
 DATE: 02/10/88  
 CHECK: CMH  
 DATE: 02/10/85  
 CHECK: CMH  
 DATE: 02/10/82  
 CHECK: CMH  
 DATE: 02/10/78  
 CHECK: CMH  
 DATE: 02/10/75  
 CHECK: CMH  
 DATE: 02/10/72  
 CHECK: CMH  
 DATE: 02/10/68  
 CHECK: CMH  
 DATE: 02/10/65  
 CHECK: CMH  
 DATE: 02/10/62  
 CHECK: CMH  
 DATE: 02/10/58  
 CHECK: CMH  
 DATE: 02/10/55  
 CHECK: CMH  
 DATE: 02/10/52  
 CHECK: CMH  
 DATE: 02/10/48  
 CHECK: CMH  
 DATE: 02/10/45  
 CHECK: CMH  
 DATE: 02/10/42  
 CHECK: CMH  
 DATE: 02/10/38  
 CHECK: CMH  
 DATE: 02/10/35  
 CHECK: CMH  
 DATE: 02/10/32  
 CHECK: CMH  
 DATE: 02/10/28  
 CHECK: CMH  
 DATE: 02/10/25  
 CHECK: CMH  
 DATE: 02/10/22  
 CHECK: CMH  
 DATE: 02/10/18  
 CHECK: CMH  
 DATE: 02/10/15  
 CHECK: CMH  
 DATE: 02/10/12  
 CHECK: CMH  
 DATE: 02/10/08  
 CHECK: CMH  
 DATE: 02/10/05  
 CHECK: CMH  
 DATE: 02/10/02  
 CHECK: CMH  
 DATE: 02/10/98  
 CHECK: CMH  
 DATE: 02/10/95  
 CHECK: CMH  
 DATE: 02/10/92  
 CHECK: CMH  
 DATE: 02/10/88  
 CHECK: CMH  
 DATE: 02/10/85  
 CHECK: CMH  
 DATE: 02/10/82  
 CHECK: CMH  
 DATE: 02/10/78  
 CHECK: CMH  
 DATE: 02/10/75  
 CHECK: CMH  
 DATE: 02/10/72  
 CHECK: CMH  
 DATE: 02/10/68  
 CHECK: CMH  
 DATE: 02/10/65  
 CHECK: CMH  
 DATE: 02/10/62  
 CHECK: CMH  
 DATE: 02/10/58  
 CHECK: CMH  
 DATE: 02/10/55  
 CHECK: CMH  
 DATE: 02/10/52  
 CHECK: CMH  
 DATE: 02/10/48  
 CHECK: CMH  
 DATE: 02/10/45  
 CHECK: CMH  
 DATE: 02/10/42  
 CHECK: CMH  
 DATE: 02/10/38  
 CHECK: CMH  
 DATE: 02/10/35  
 CHECK: CMH  
 DATE: 02/10/32  
 CHECK: CMH  
 DATE: 02/10/28  
 CHECK: CMH  
 DATE: 02/10/25  
 CHECK: CMH  
 DATE: 02/10/22  
 CHECK: CMH  
 DATE: 02/10/18  
 CHECK: CMH  
 DATE: 02/10/15  
 CHECK: CMH  
 DATE: 02/10/12  
 CHECK: CMH  
 DATE: 02/10/08  
 CHECK: CMH  
 DATE: 02/10/05  
 CHECK: CMH  
 DATE: 02/10/02  
 CHECK: CMH  
 DATE: 02/10/98  
 CHECK: CMH  
 DATE: 02/10/95  
 CHECK: CMH  
 DATE: 02/10/92  
 CHECK: CMH  
 DATE: 02/10/88  
 CHECK: CMH  
 DATE: 02/10/85  
 CHECK: CMH  
 DATE: 02/10/82  
 CHECK: CMH  
 DATE: 02/10/78  
 CHECK: CMH  
 DATE: 02/10/75  
 CHECK: CMH  
 DATE: 02/10/72  
 CHECK: CMH  
 DATE: 02/10/68  
 CHECK: CMH  
 DATE: 02/10/65  
 CHECK: CMH  
 DATE: 02/10/62  
 CHECK: CMH  
 DATE: 02/10/58  
 CHECK: CMH  
 DATE: 02/10/55  
 CHECK: CMH  
 DATE: 02/10/52  
 CHECK: CMH  
 DATE: 02/10/48  
 CHECK: CMH  
 DATE: 02/10/45  
 CHECK: CMH  
 DATE: 02/10/42  
 CHECK: CMH  
 DATE: 02/10/38  
 CHECK: CMH  
 DATE: 02/10/35  
 CHECK: CMH  
 DATE: 02/10/32  
 CHECK: CMH  
 DATE: 02/10/28  
 CHECK: CMH  
 DATE: 02/10/25  
 CHECK: CMH  
 DATE: 02/10/22  
 CHECK: CMH  
 DATE: 02/10/18  
 CHECK: CMH  
 DATE: 02/10/15  
 CHECK: CMH  
 DATE: 02/10/12  
 CHECK: CMH  
 DATE: 02/10/08  
 CHECK: CMH  
 DATE: 02/10/05  
 CHECK: CMH  
 DATE: 02/10/02  
 CHECK: CMH  
 DATE: 02/10/98  
 CHECK: CMH  
 DATE: 02/10/95  
 CHECK: CMH  
 DATE: 02/10/92  
 CHECK: CMH  
 DATE: 02/10/88  
 CHECK: CMH  
 DATE: 02/10/85  
 CHECK: CMH  
 DATE: 02/10/82  
 CHECK: CMH  
 DATE: 02/10/78  
 CHECK: CMH  
 DATE: 02/10/75  
 CHECK: CMH  
 DATE: 02/10/72  
 CHECK: CMH  
 DATE: 02/10/68  
 CHECK: CMH  
 DATE: 02/10/65  
 CHECK: CMH  
 DATE: 02/10/62  
 CHECK: CMH  
 DATE: 02/10/58  
 CHECK: CMH  
 DATE: 02/10/55  
 CHECK: CMH  
 DATE: 02/10/52  
 CHECK: CMH  
 DATE: 02/10/48  
 CHECK: CMH  
 DATE: 02/10/45  
 CHECK: CMH  
 DATE: 02/10/42  
 CHECK: CMH  
 DATE: 02/10/38  
 CHECK: CMH  
 DATE: 02/10/35  
 CHECK: CMH  
 DATE: 02/10/32  
 CHECK: CMH  
 DATE: 02/10/28  
 CHECK: CMH  
 DATE: 02/10/25  
 CHECK: CMH  
 DATE: 02/10/22  
 CHECK: CMH  
 DATE: 02/10/18  
 CHECK: CMH  
 DATE: 02/10/15  
 CHECK: CMH  
 DATE: 02/10/12  
 CHECK: CMH  
 DATE: 02/10/08  
 CHECK: CMH  
 DATE: 02/10/05  
 CHECK: CMH  
 DATE: 02/10/02  
 CHECK: CMH  
 DATE: 02/10/98  
 CHECK: CMH  
 DATE: 02/10/95  
 CHECK: CMH  
 DATE: 02/10/92  
 CHECK: CMH  
 DATE: 02/10/88  
 CHECK: CMH  
 DATE: 02/10/85  
 CHECK: CMH  
 DATE: 02/10/82  
 CHECK: CMH  
 DATE: 02/10/78  
 CHECK: CMH  
 DATE: 02/10/75  
 CHECK: CMH  
 DATE: 02/10/72  
 CHECK: CMH  
 DATE: 02/10/68  
 CHECK: CMH  
 DATE: 02/10/65  
 CHECK: CMH  
 DATE: 02/10/62  
 CHECK: CMH  
 DATE: 02/10/58  
 CHECK: CMH  
 DATE: 02/10/55  
 CHECK: CMH  
 DATE: 02/10/52  
 CHECK: CMH  
 DATE: 02/10/48  
 CHECK: CMH  
 DATE: 02/10/45  
 CHECK: CMH  
 DATE: 02/10/42  
 CHECK: CMH  
 DATE: 02/10/38  
 CHECK: CMH  
 DATE: 02/10/35  
 CHECK: CMH  
 DATE: 02/10/32  
 CHECK: CMH  
 DATE: 02/10/28  
 CHECK: CMH  
 DATE: 02/10/25  
 CHECK: CMH  
 DATE: 02/10/22  
 CHECK: CMH  
 DATE: 02/10/18  
 CHECK: CMH  
 DATE: 02/10/15  
 CHECK: CMH  
 DATE: 02/10/12  
 CHECK: CMH  
 DATE: 02/10/08  
 CHECK: CMH  
 DATE: 02/10/05  
 CHECK: CMH  
 DATE: 02/10/02  
 CHECK: CMH  
 DATE: 02/10/98  
 CHECK: CMH  
 DATE: 02/10/95  
 CHECK: CMH  
 DATE: 02/10/92  
 CHECK: CMH  
 DATE: 02/10/88  
 CHECK: CMH  
 DATE: 02/10/85  
 CHECK: CMH  
 DATE: 02/10/82  
 CHECK: CMH  
 DATE: 02/10/78  
 CHECK: CMH  
 DATE: 02/10/75  
 CHECK: CMH  
 DATE: 02/10/72  
 CHECK: CMH  
 DATE: 02/10/68  
 CHECK: CMH  
 DATE: 02/10/65  
 CHECK: CMH  
 DATE: 02/10/62  
 CHECK: CMH  
 DATE: 02/10/58  
 CHECK: CMH  
 DATE: 02/10/55  
 CHECK: CMH  
 DATE: 02/10/52  
 CHECK: CMH  
 DATE: 02/10/48  
 CHECK: CMH  
 DATE: 02/10/45  
 CHECK: CMH  
 DATE: 02/10/42  
 CHECK: CMH  
 DATE: 02/10/38  
 CHECK: CMH  
 DATE: 02/10/35  
 CHECK: CMH  
 DATE: 02/10/32  
 CHECK: CMH  
 DATE: 02/10/28  
 CHECK: CMH  
 DATE: 02/10/25  
 CHECK: CMH  
 DATE: 02/10/22  
 CHECK: CMH  
 DATE: 02/10/18  
 CHECK: CMH  
 DATE: 02/10/15  
 CHECK: CMH  
 DATE: 02/10/12  
 CHECK: CMH  
 DATE: 02/10/08  
 CHECK: CMH  
 DATE: 02/10/05  
 CHECK: CMH  
 DATE: 02/10/02  
 CHECK: CMH  
 DATE: 02/10/98  
 CHECK: CMH  
 DATE: 02/10/95  
 CHECK: CMH  
 DATE: 02/10/92  
 CHECK: CMH  
 DATE: 02/10/88  
 CHECK: CMH  
 DATE: 02/10/85  
 CHECK: CMH  
 DATE: 02/10/82  
 CHECK: CMH  
 DATE: 02/10/78  
 CHECK: CMH  
 DATE: 02/10/75  
 CHECK: CMH  
 DATE: 02/10/72  
 CHECK: CMH  
 DATE: 02/10/68  
 CHECK: CMH  
 DATE: 02/10/65  
 CHECK: CMH  
 DATE: 02/10/62  
 CHECK: CMH  
 DATE: 02/10/58  
 CHECK: CMH  
 DATE: 02/10/55  
 CHECK: CMH  
 DATE: 02/10/52  
 CHECK: CMH  
 DATE: 02/10/48  
 CHECK: CMH  
 DATE: 02/10/45  
 CHECK: CMH  
 DATE: 02/10/42  
 CHECK: CMH  
 DATE: 02/10/38  
 CHECK: CMH  
 DATE: 02/10/35  
 CHECK: CMH  
 DATE: 02/10/32  
 CHECK: CMH  
 DATE: 02/10/28  
 CHECK: CMH  
 DATE: 02/10/25  
 CHECK: CMH  
 DATE: 02/10/22  
 CHECK: CMH  
 DATE: 02/10/18  
 CHECK: CMH  
 DATE: 02/10/15  
 CHECK: CMH  
 DATE: 02/10/12  
 CHECK: CMH  
 DATE: 02/10/08  
 CHECK: CMH  
 DATE: 02/10/05  
 CHECK: CMH  
 DATE: 02/10/02  
 CHECK: CMH  
 DATE: 02/10/98  
 CHECK: CMH  
 DATE: 02/10/95  
 CHECK: CMH  
 DATE: 02/10/92  
 CHECK: CMH  
 DATE: 02/10/88  
 CHECK: CMH  
 DATE: 02/10/85  
 CHECK: CMH  
 DATE: 02/10/82  
 CHECK: CMH  
 DATE: 02/10/78  
 CHECK: CMH  
 DATE: 02/10/75  
 CHECK: CMH  
 DATE: 02/10/72  
 CHECK: CMH  
 DATE: 02/10/68  
 CHECK: CMH  
 DATE: 02/10/65  
 CHECK: CMH  
 DATE: 02/10/62  
 CHECK: CMH  
 DATE: 02/10/58  
 CHECK: CMH  
 DATE: 02/10/55  
 CHECK: CMH  
 DATE: 02/10/52  
 CHECK: CMH  
 DATE: 02/10/48  
 CHECK: CMH  
 DATE: 02/10/45  
 CHECK: CMH  
 DATE: 02/10/42  
 CHECK: CMH  
 DATE: 02/10/38  
 CHECK: CMH  
 DATE: 02/10/35  
 CHECK: CMH  
 DATE: 02/10/32  
 CHECK: CMH  
 DATE: 02/10/28  
 CHECK: CMH  
 DATE: 02/10/25  
 CHECK: CMH  
 DATE: 02/10/22  
 CHECK: CMH  
 DATE: 02/10/18  
 CHECK: CMH  
 DATE: 02/10/15  
 CHECK: CMH  
 DATE: 02/10/12  
 CHECK: CMH  
 DATE: 02/10/08  
 CHECK: CMH  
 DATE: 02/10/05  
 CHECK: CMH  
 DATE: 02/10/02  
 CHECK: CMH  
 DATE: 02/10/98  
 CHECK: CMH  
 DATE: 02/10/95  
 CHECK: CMH  
 DATE: 02/10/92  
 CHECK: CMH  
 DATE: 02/10/88  
 CHECK: CMH  
 DATE: 02/10/85  
 CHECK: CMH  
 DATE: 02/10/82  
 CHECK: CMH  
 DATE: 02/10/78

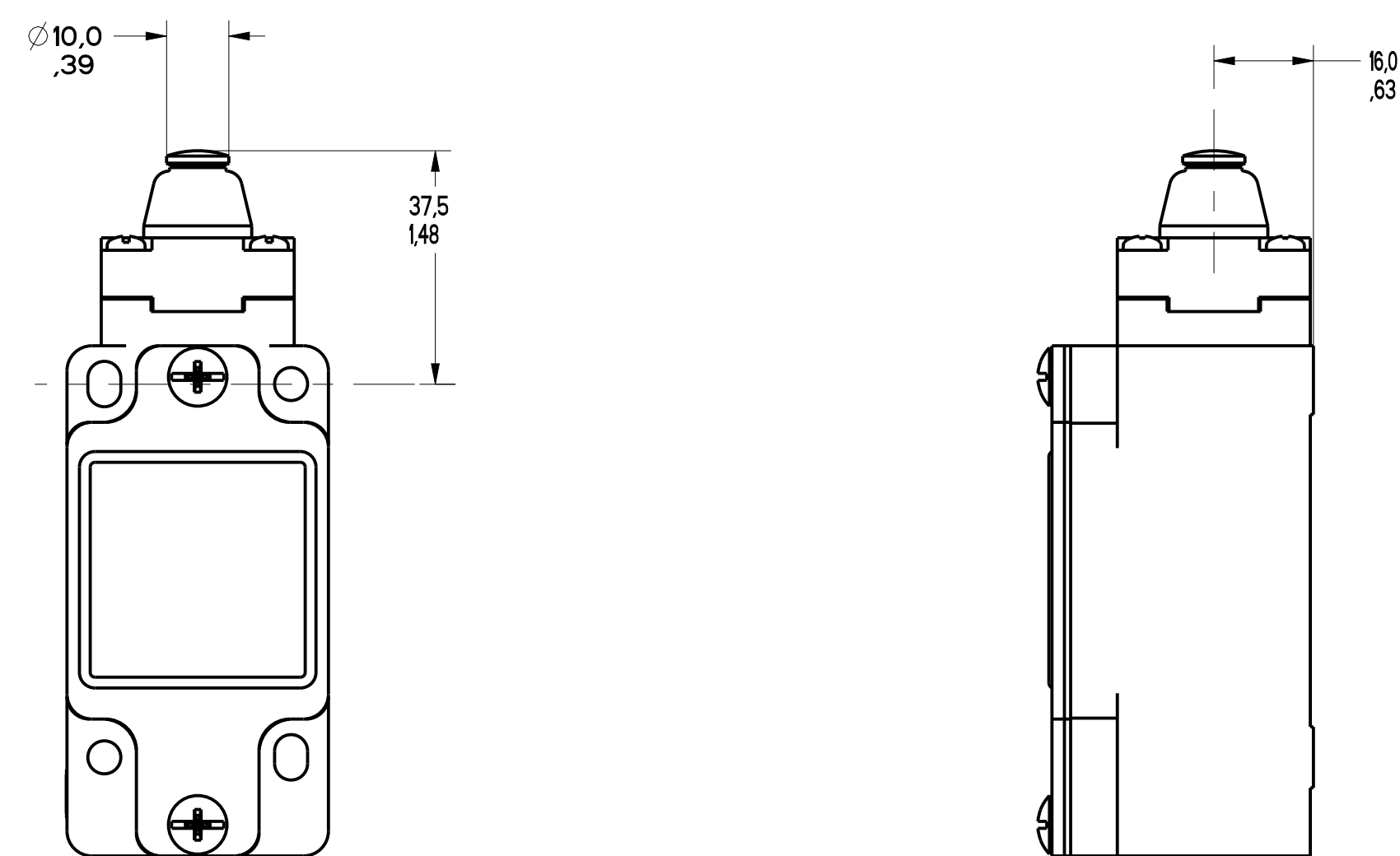


FIGURE 4 - TOP PIN PLUNGER HEAD  
OTHERWISE REFER TO  
FIGURE 1

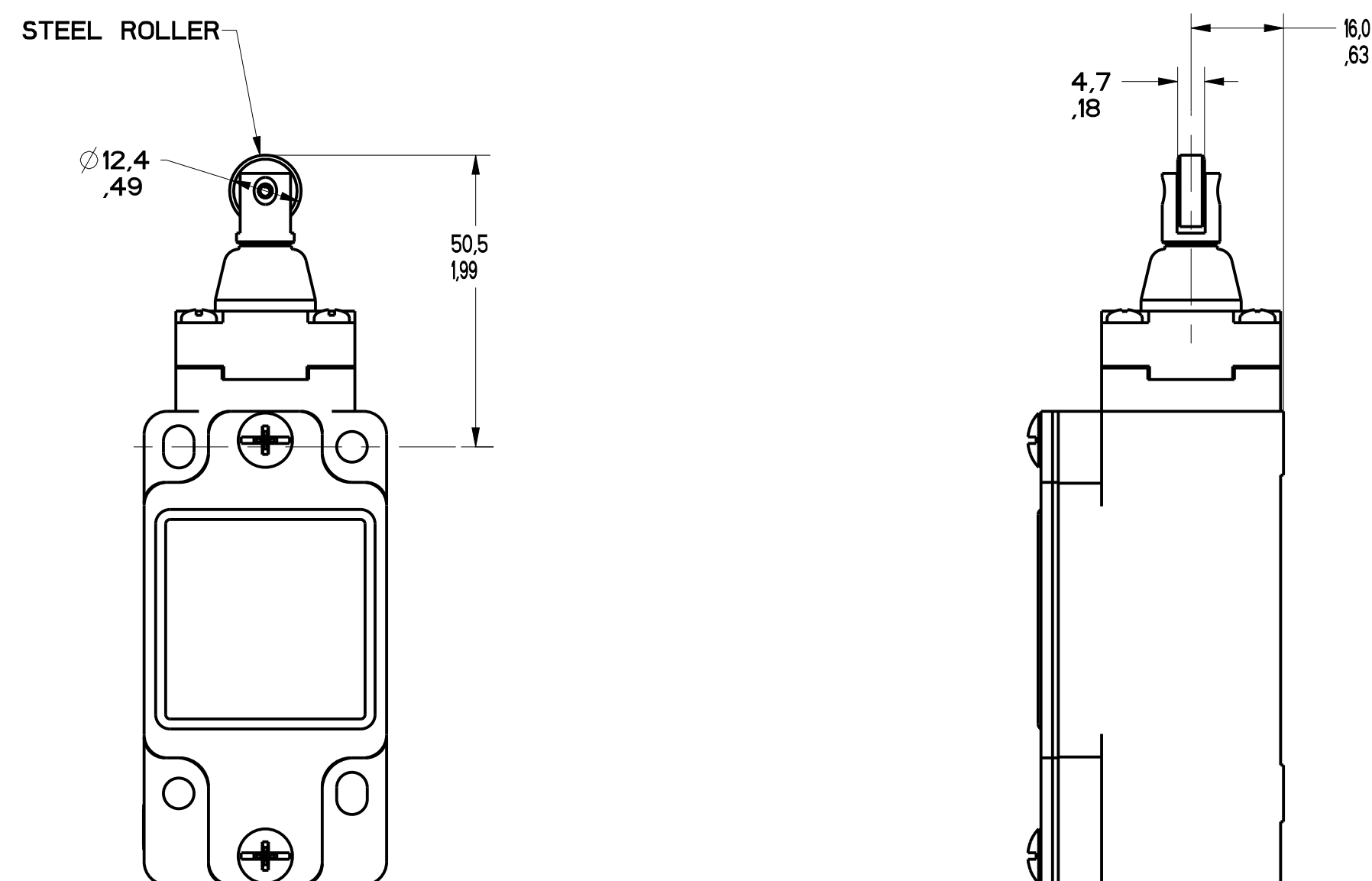


FIGURE 5 - TOP ROLLER PLUNGER HEAD  
OTHERWISE REFER TO  
FIGURE 1

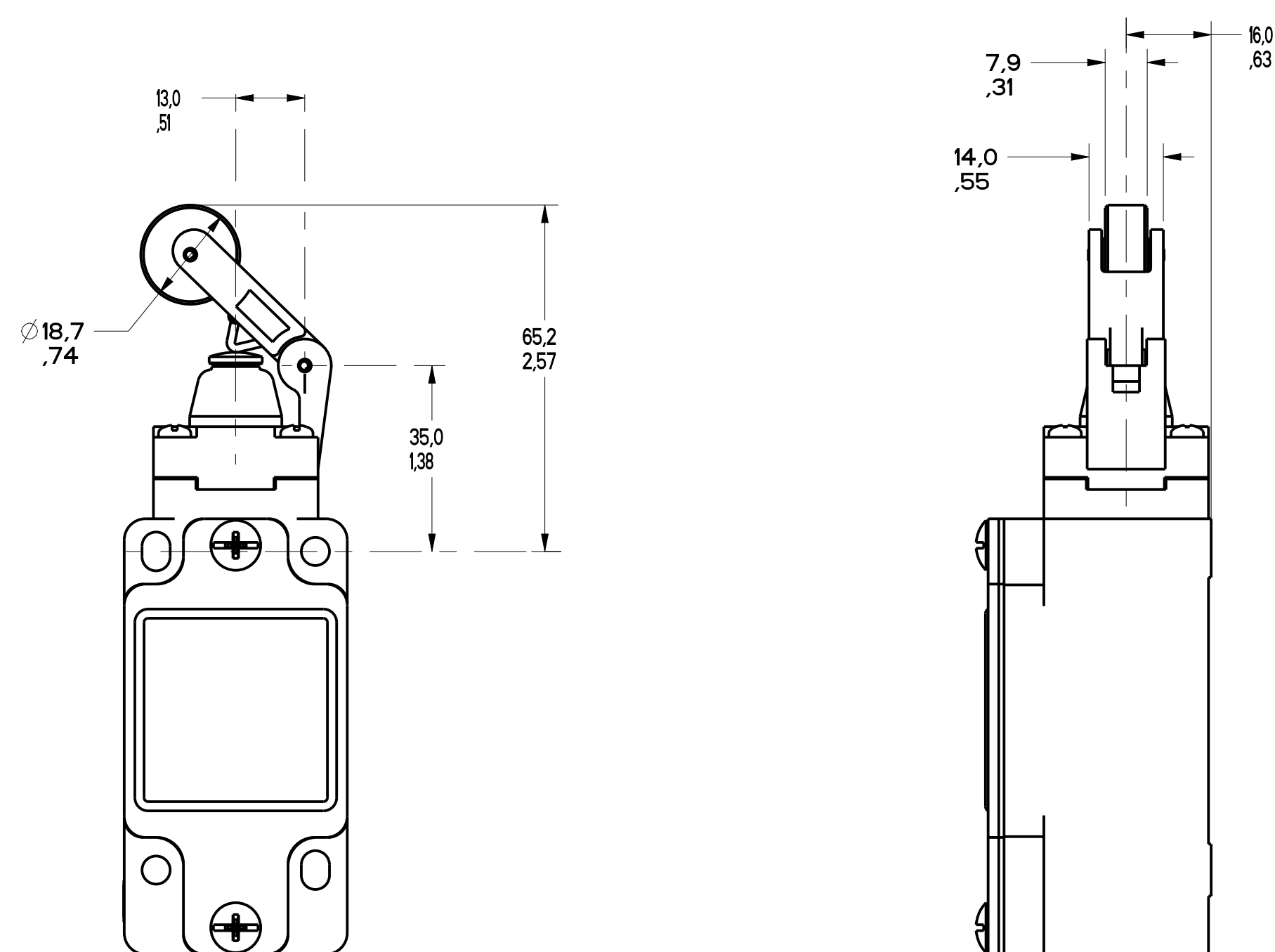


FIGURE 6 - TOP LEVER HEAD,  
OTHERWISE REFER TO  
FIGURE 1

MGL SERIES CHART 1  
 DRAWING NUMBER: 2 OF 13  
 RELEASE NO. PR-20782  
 ISSUE: 16  
 CHECK: CMH  
 DATE: 05 OCT 10  
 CHECK: CMH  
 DATE: 26 AUG 93  
 CHECK: G.H.  
 DATE: 12 OCT 12  
 P.T.C./CAD  
 W.L.S.

REV	DATE	BY	CHKD
1	000040	CMH	CMH
2	000041	CMH	CMH
3	000286	CMH	CMH
4	002259	CMH	CMH
5	003716	CMH	CMH
6	004309	CMH	CMH
7	004695	CMH	CMH
8	004808	CMH	CMH
9	004809	CMH	CMH
10	004810	CMH	CMH
11	004811	CMH	CMH
12	004812	CMH	CMH
13	004813	CMH	CMH
14	004814	CMH	CMH
15	004815	CMH	CMH
16	004816	CMH	CMH
17	004817	CMH	CMH
18	004818	CMH	CMH
19	004819	CMH	CMH
20	004820	CMH	CMH

THIS DRAWING COVERS A PROPRIETARY ITEM AND IS THE PROPERTY OF MICRO SWITCH, A DIVISION OF HONEYWELL. THIS DRAWING IS NOT TO BE COPIED OR USED WITHOUT THE APPROVAL OF MICRO SWITCH.

FED. MFG. CODE 91929 CATALOG LISTING

**MICRO SWITCH**  
a Honeywell Division

**SWITCH, ENCLOSED**

**GL SERIES CHART 1**

DESIGN UNITS:  SI METRIC  US CUSTOMARY

WEIGHT

TOLERANCES			
DO NOT SCALE PRINT			
APPLY TO DESIGN UNITS. CONVERSIONS ARE ONLY FOR REFERENCE, UNLESS NOTED. TOLERANCES ARE:			
	SI	US	US
NO PLACES	±.04	±.04	±.04
ONE PLACE	±.05	±.05	±.05
TWO PLACES	±.005	±.005	±.005
THREE PLACES	±.0005	±.0005	±.0005
ANGLES	±.2°	±.2°	±.2°

THIRD ANGLE PROJECTION

SCALE: 1:1

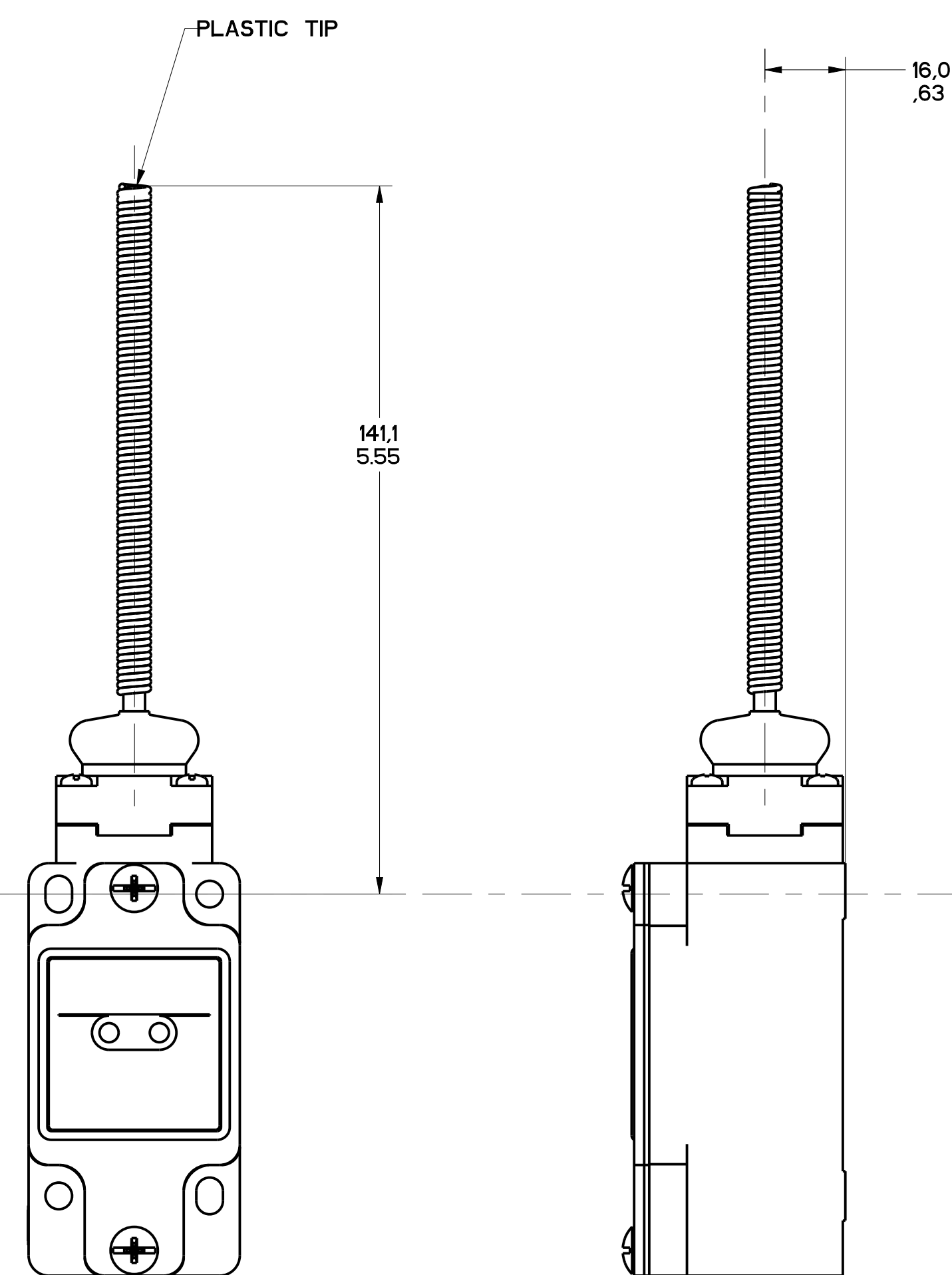


FIGURE 7 - WOBBLE HEAD, AND CAT WISKER HEAD COIL ACTUATOR, OTHERWISE REFER TO FIGURE 1

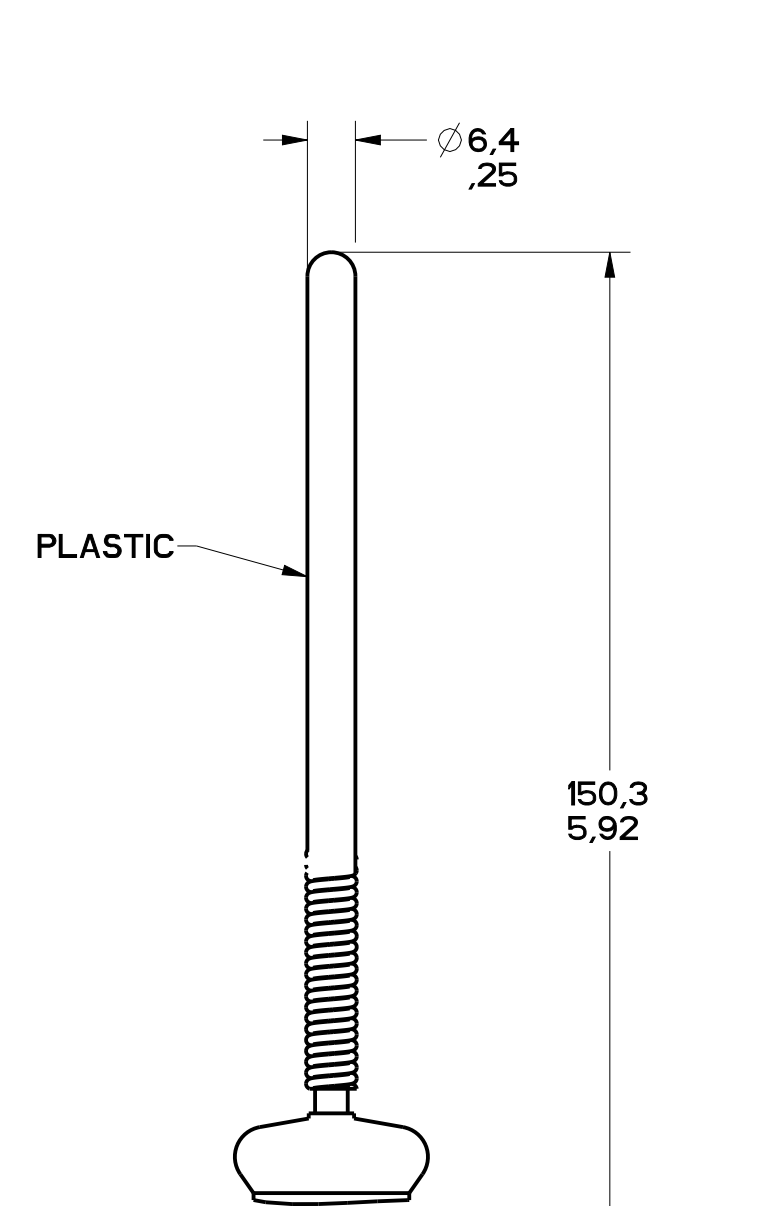


FIGURE 7A - WOBBLE HEAD, PLASTIC ACTUATOR, OTHERWISE SAME AS FIGURE 7

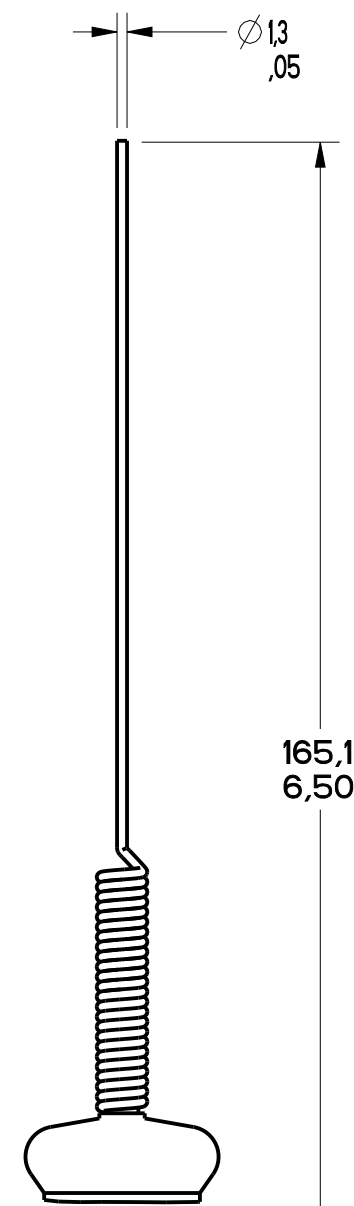


FIGURE 7B - WOBBLE HEAD STAINLESS STEEL SPRING ACTUATOR, OTHERWISE SAME AS FIGURE 7

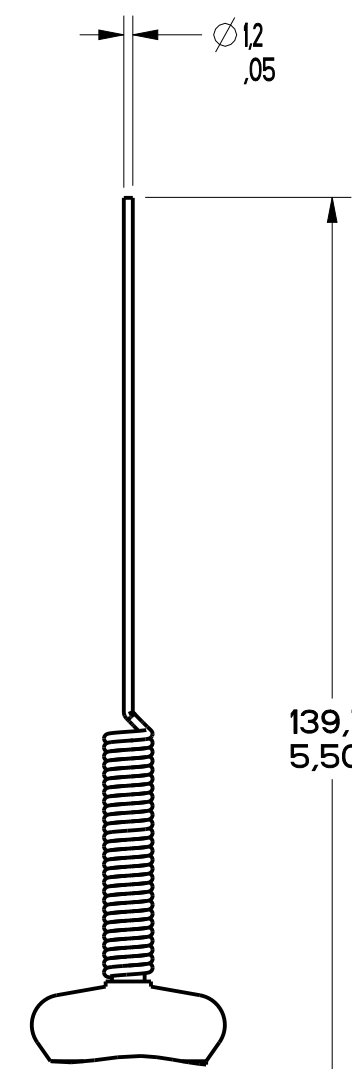


FIGURE 7C - CAT WHISKER ACTUATOR, STAINLESS STEEL SPRING, OTHERWISE SAME AS FIGURE 7

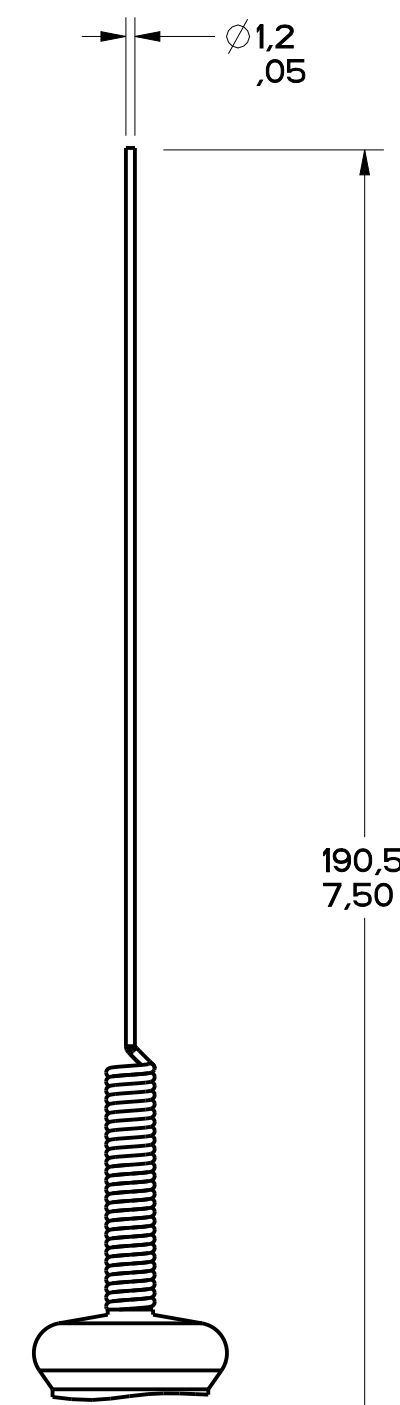


FIGURE 7D - CAT WHISKER ACTUATOR, STAINLESS STEEL SPRING, OTHERWISE SAME AS FIGURE 7

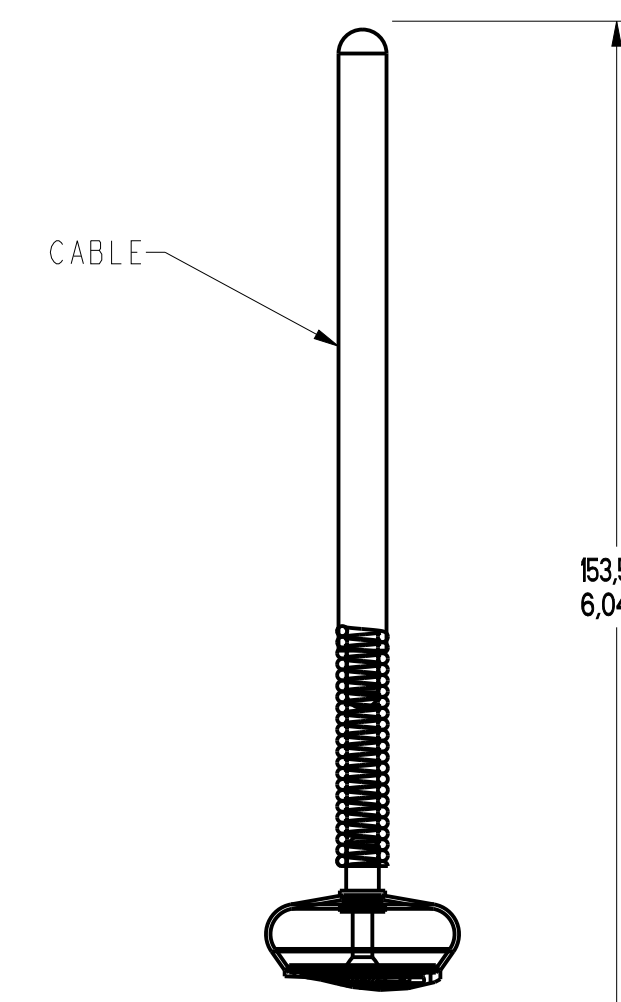


FIGURE 7E - CABLE WOBBLE ACTUATOR, OTHERWISE SAME AS FIGURE 7

MGL SERIES CHART 1  
 DRAWING NUMBER: 3 OF 13  
 RELEASE NO. PR-21597  
 ISSUE 16  
 DATE: 20 JUNE 03  
 CHECKED: CMH  
 DATE: 20 JANU 04  
 DATE: 02 FEB 99  
 DATE: 07 AUG 06  
 DATE: 03 JUL 16  
 DATE: 08 FEB 08  
 DATE: 04 APR 09  
 DATE: 10 FEB 08  
 DATE: 04 APR 05  
 DATE: 07 FEB 08  
 DATE: 02 DEC 09  
 DATE: 08 APR 10  
 DATE: 08 SEP 12  
 DATE: 17 MAY 16  
 DATE: 17 MAY 16

THIS DRAWING COVERS A PROPRIETARY ITEM AND IS THE PROPERTY OF MICRO SWITCH, A DIVISION OF HONEYWELL. THIS DRAWING IS NOT TO BE COPIED OR USED WITHOUT THE APPROVAL OF MICRO SWITCH. FED. MFG. CODE 91929		CATALOG LISTING	
<b>MICRO SWITCH</b> a Honeywell Division		SWITCH, ENCLOSED	
DESIGN UNITS: <input checked="" type="checkbox"/> SI METRIC <input type="checkbox"/> US CUSTOMARY		GL SERIES CHART 1	
TOLERANCES APPLY TO DESIGN UNITS. CONVERSIONS ARE ONLY FOR REFERENCE. UNLESS NOTED, TOLERANCES ARE:		THIRD ANGLE PROJECTION SCALE: 1:1 DO NOT SCALE PRINT	
NO PLACES	1X	±.04	±.04
ONE PLACE	1X	±.01	±.01
TWO PLACES	1X	±.001	±.001
THREE PLACES	1X	±.0001	±.0001
ANGLES	±2°		
WEIGHT			

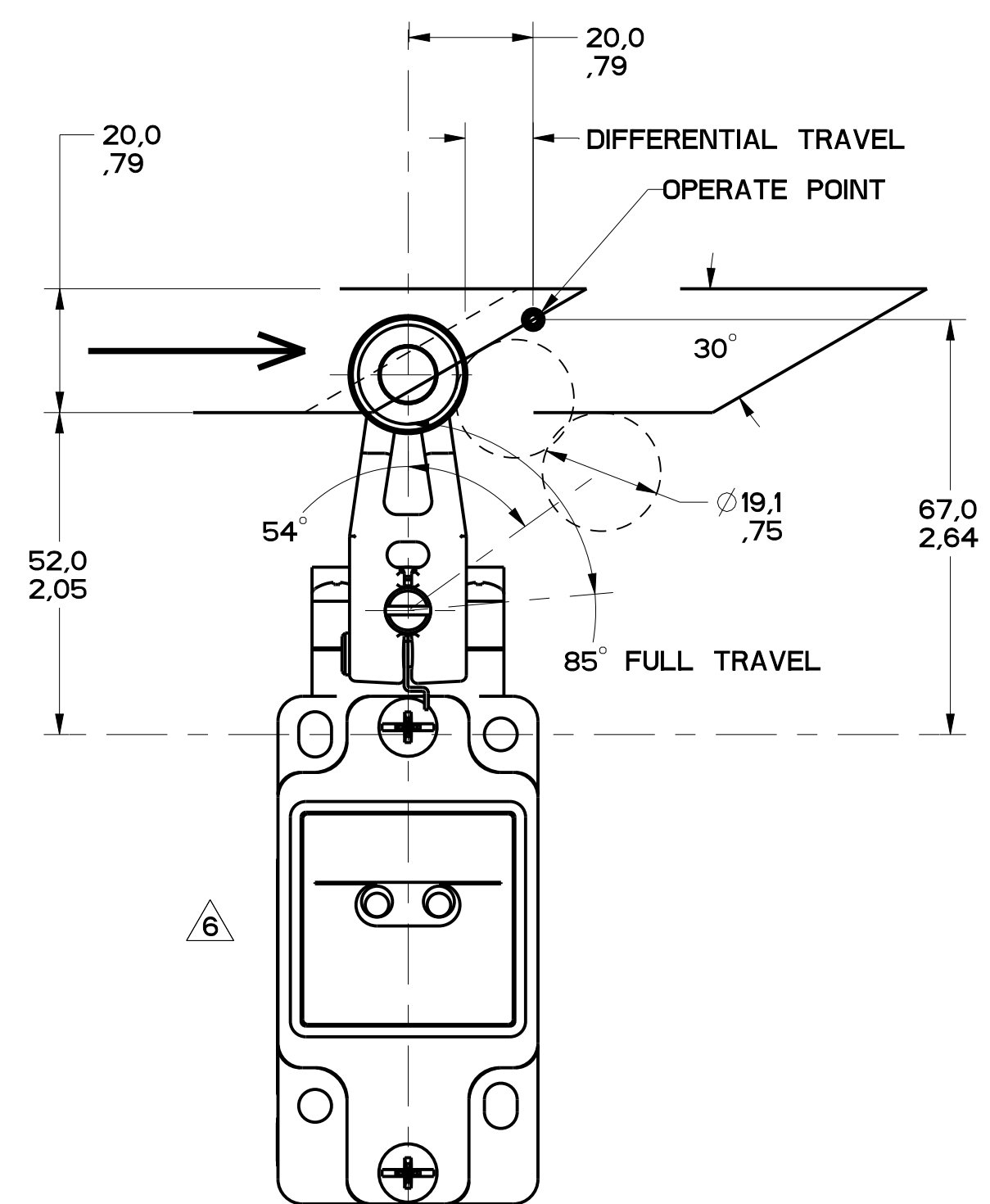


FIGURE 8

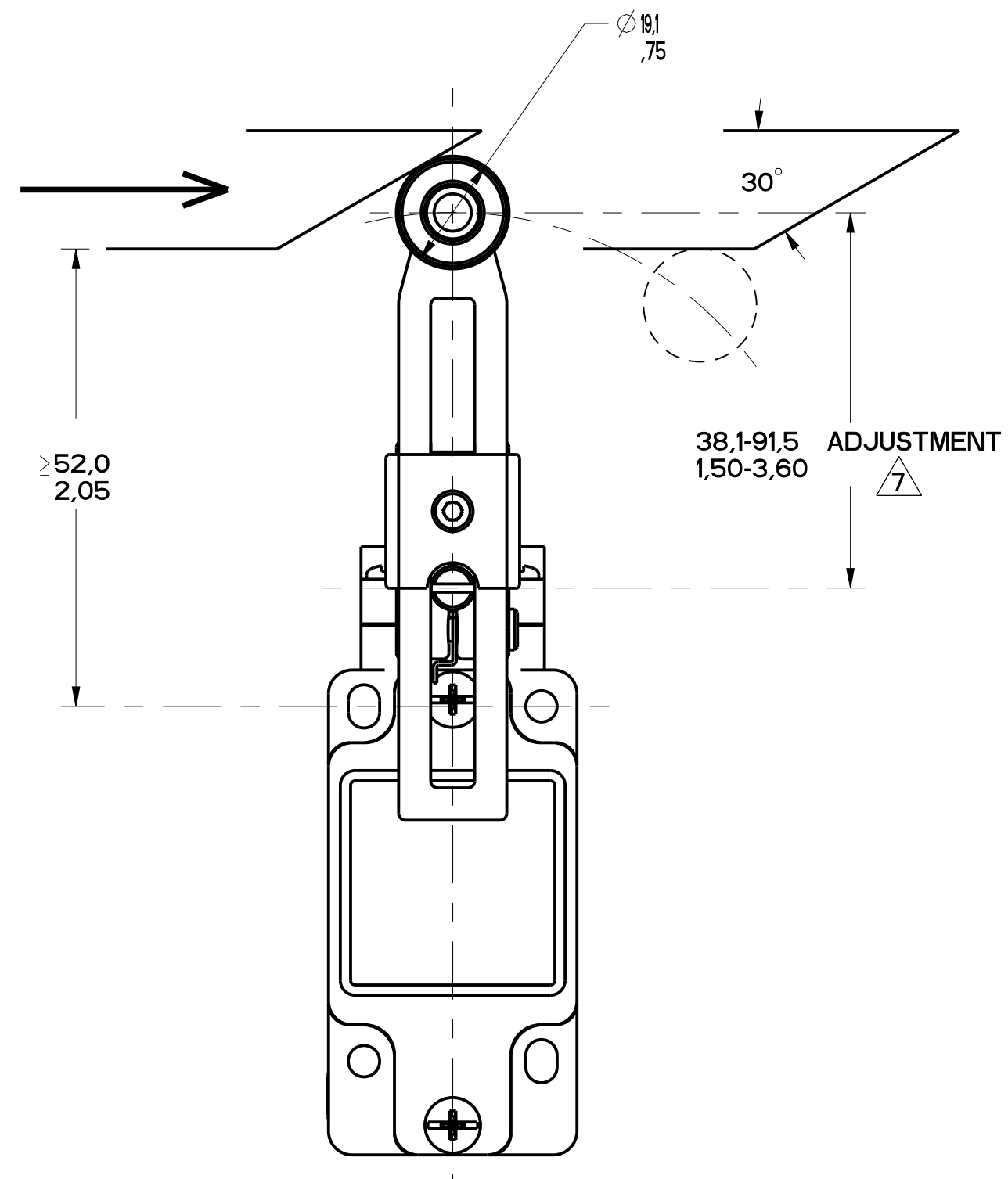


FIGURE 9

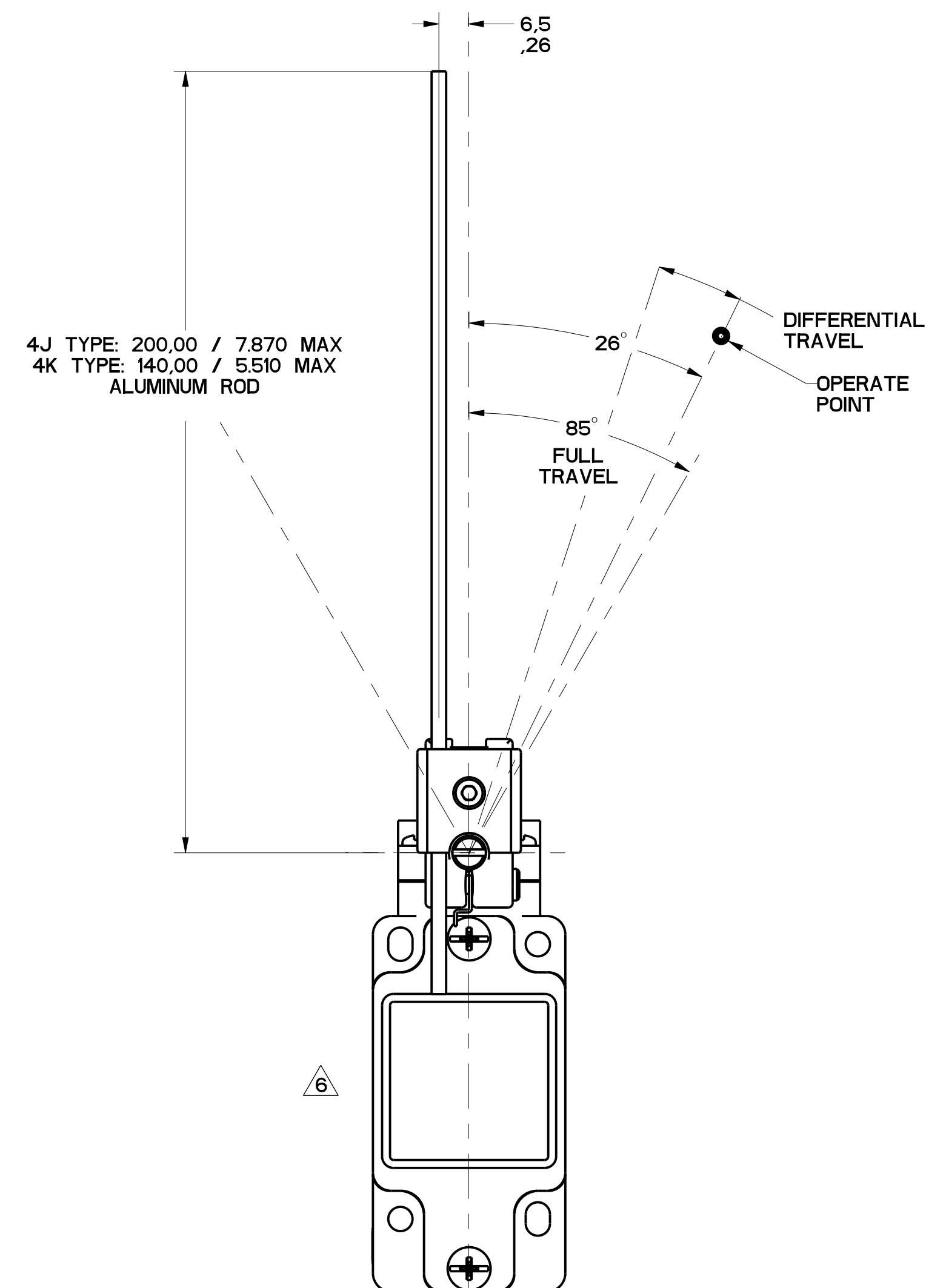


FIGURE 10

MGL SERIES CHART 1  
 DRAWING NUMBER: 4 OF 13  
 ISSUE: 16  
 P.T.C./CAD  
 S.A.V. 2/MAR/66  
 D.M. 07AUG/66  
 S. A. V. 2/MAR/66  
 D.M. 07AUG/66  
 S. A. V. 2/MAR/66  
 D.M. 07AUG/66

REV	DATE	BY	CHKD	DESCRIPTION
1	02/02/61	W.S.	W.S.	DESIGN
2	01/03/63	W.S.	W.S.	REVISED
3	00/27/66	W.S.	W.S.	REVISED
4	02/23/59	W.S.	W.S.	REVISED
5	07/16/66	W.S.	W.S.	REVISED
6	03/12/66	W.S.	W.S.	REVISED
7	08/18/68	W.S.	W.S.	REVISED
8	04/26/69	W.S.	W.S.	REVISED
9	05/08/68	W.S.	W.S.	REVISED
10	04/26/69	W.S.	W.S.	REVISED
11	04/26/69	W.S.	W.S.	REVISED
12	07/16/66	W.S.	W.S.	REVISED
13	07/16/66	W.S.	W.S.	REVISED
14	07/16/66	W.S.	W.S.	REVISED
15	07/16/66	W.S.	W.S.	REVISED
16	07/16/66	W.S.	W.S.	REVISED

THIS DRAWING COVERS A PROPRIETARY ITEM AND IS THE PROPERTY OF MICRO SWITCH, A DIVISION OF HONEYWELL. THIS DRAWING IS NOT TO BE COPIED OR USED WITHOUT THE APPROVAL OF MICRO SWITCH.		FEDERAL MFG. CODE 91929	
<b>MICRO SWITCH</b> a Honeywell Division		SWITCH, ENCLOSED	
CATALOG LISTING		GL SERIES CHART 1	
DESIGN UNITS: <input checked="" type="checkbox"/> SI METRIC <input type="checkbox"/> US CUSTOMARY		TOLERANCES: DO NOT SCALE PRINT	
WEIGHT:		THIRD ANGLE PROJECTION	

FIGURES 8, 9, 10 SIDE ROTARY HEAD, ANGULAR ACTUATION

CATALOG LISTING	CONTACT BLOCK DIAGRAM	NOMINAL TRAVELS AND RELATED TERMINALS <small>■ - CONTACT CLOSED, □ - CONTACT OPEN, ▨ - CONTACT CLOSED DIFFERENTIAL TRAVEL, ** POSITIVE OPENING TO IEC 947-5-1</small>	MAXIMUM OPERATING TORQUE N-m LB-IN	MAXIMUM DISCONNECT TORQUE N-m LB-IN	MAX OPERATE DEGREE/S	MIN OPERATE DEGREE/S	MAX OPERATE FREQUENCY OPS/MIN
GL**01A GL**07A	SNAP - ACTION CONTACTS SINGLE POLE 		$\frac{.330}{2.9}$	$\frac{.385}{3.4}$	1290	13	250
GL**03A GL**33A	SLOW ACTING BREAK BEFORE MAKE 		$\frac{.330}{2.9}$	$\frac{.385}{3.4}$	1290	13	250
GL**04A GL**34A	SLOW ACTING MAKE BEFORE BREAK 		$\frac{.330}{2.9}$	$\frac{.400}{3.5}$	1290	13	250
GL**05A GL**35A	SLOW ACTING 		$\frac{.330}{2.9}$	$\frac{.385}{3.4}$	1290	13	250
GL**06A GL**36A	SLOW ACTING 		$\frac{.330}{2.9}$	$\frac{.385}{3.4}$	1290	13	250
GL**20A GL**22A GL**24A GL**32A	SNAP ACTION CONTACTS DOUBLE POLE 		$\frac{.330}{2.9}$	$\frac{.385}{3.4}$	1290	13	250
GL**21A GL**25A GL**28A GL**31A	SNAP ACTION CONTACTS DOUBLE POLE SEQUENTIAL 		$\frac{.330}{2.9}$	N/A	1290	13	250

SIDE ROTARY HEAD, CAM ACTUATION PER EN50041, FIGURES 8 AND 9

CATALOG LISTING	CONTACT BLOCK DIAGRAM	NOMINAL TRAVELS AND RELATED TERMINALS <small>■ - CONTACT CLOSED, □ - CONTACT OPEN, ▨ - CONTACT CLOSED DIFFERENTIAL TRAVEL, ** POSITIVE OPENING TO IEC 947-5-1 DIMENSIONS IN mm</small>	MAXIMUM OPERATING FORCE N LB	MAXIMUM DISCONNECT FORCE N LB	MAX OPERATE VEL M/S IN/S	MIN OPERATE VEL mm/S IN/S	MAX OPERATE FREQUENCY OPS/MIN
GL**01A GL**07A	SNAP - ACTION CONTACTS SINGLE POLE 		$\frac{9.7}{2.2}$	$\frac{11.4}{2.6}$	$\frac{.85}{33.5}$	$\frac{8.5}{.33}$	250
GL**03A GL**33A	SLOW ACTING BREAK BEFORE MAKE 		$\frac{9.7}{2.2}$	$\frac{11.4}{2.6}$	$\frac{.85}{33.5}$	$\frac{8.5}{.33}$	250
GL**04A GL**34A	SLOW ACTING MAKE BEFORE BREAK 		$\frac{9.7}{2.2}$	$\frac{11.4}{2.6}$	$\frac{.85}{33.5}$	$\frac{8.5}{.33}$	250
GL**05A GL**35A	SLOW ACTING 		$\frac{9.7}{2.2}$	$\frac{11.4}{2.6}$	$\frac{.85}{33.5}$	$\frac{8.5}{.33}$	250
GL**06A GL**36A	SLOW ACTING 		$\frac{9.7}{2.2}$	$\frac{11.4}{2.6}$	$\frac{.85}{33.5}$	$\frac{8.5}{.33}$	250
GL**20A GL**22A GL**24A GL**32A	SNAP ACTION CONTACTS DOUBLE POLE 		$\frac{9.7}{2.2}$	$\frac{11.8}{2.7}$	$\frac{.85}{33.5}$	$\frac{8.5}{.33}$	250
GL**21A GL**25A GL**28A GL**31A	SNAP ACTION CONTACTS DOUBLE POLE SEQUENTIAL 		$\frac{9.7}{2.2}$	N/A	$\frac{.85}{33.5}$	$\frac{8.5}{.33}$	250
GL**26J GL**27J GL**29J GL**30J	SNAP ACTION CONTACTS DOUBLE POLE CENTER NEUTRAL 		$\frac{9.7}{2.2}$	N/A	$\frac{.85}{33.5}$	$\frac{8.5}{.33}$	250

MGL SERIES CHART 1  
 DRAWING NUMBER: 5 OF 13  
 RELEASE NO. PR-20782  
 DATE: 05/01/10  
 CHECK: CMH  
 PTC/CAD  
 W. L. S. 26AUG93  
 CHECK: CMH  
 000041  
 00003  
 0007886  
 20 24884  
 0023759  
 0716086  
 0037216  
 001688  
 0042629  
 00000  
 0048605  
 007889  
 0078058  
 0000110  
 0094570  
 0000000  
 0000112

THIRD ANGLE PROJECTION

SCALE: -

DO NOT SCALE PRINT

TOLERANCES

APPLY TO DESIGN UNITS. CONVERSIONS ARE ONLY FOR REFERENCE. UNLESS NOTED, TOLERANCES ARE:

	MM	TOL.	IN	TOL.
NO PLACES	X	12.04	X	0.4715
ONE PLACE	X.1	0.40714	X.001	0.00015
TWO PLACES	X.01	0.15748	X.0001	0.00005
THREE PLACES	X.001	0.00762	X.00001	0.000005

DESIGN UNITS:  SI METRIC  US CUSTOMARY

WEIGHT

THIS DRAWING COVERS A PROPRIETARY ITEM AND IS THE PROPERTY OF MICRO SWITCH, A DIVISION OF HONEYWELL. THIS DRAWING IS NOT TO BE COPIED OR USED WITHOUT THE APPROVAL OF MICRO SWITCH.

FED. MFG. CODE 91929

CATALOG LISTING

**MICRO SWITCH**  
a Honeywell Division

**SWITCH, ENCLOSED**

**GL SERIES CHART 1**

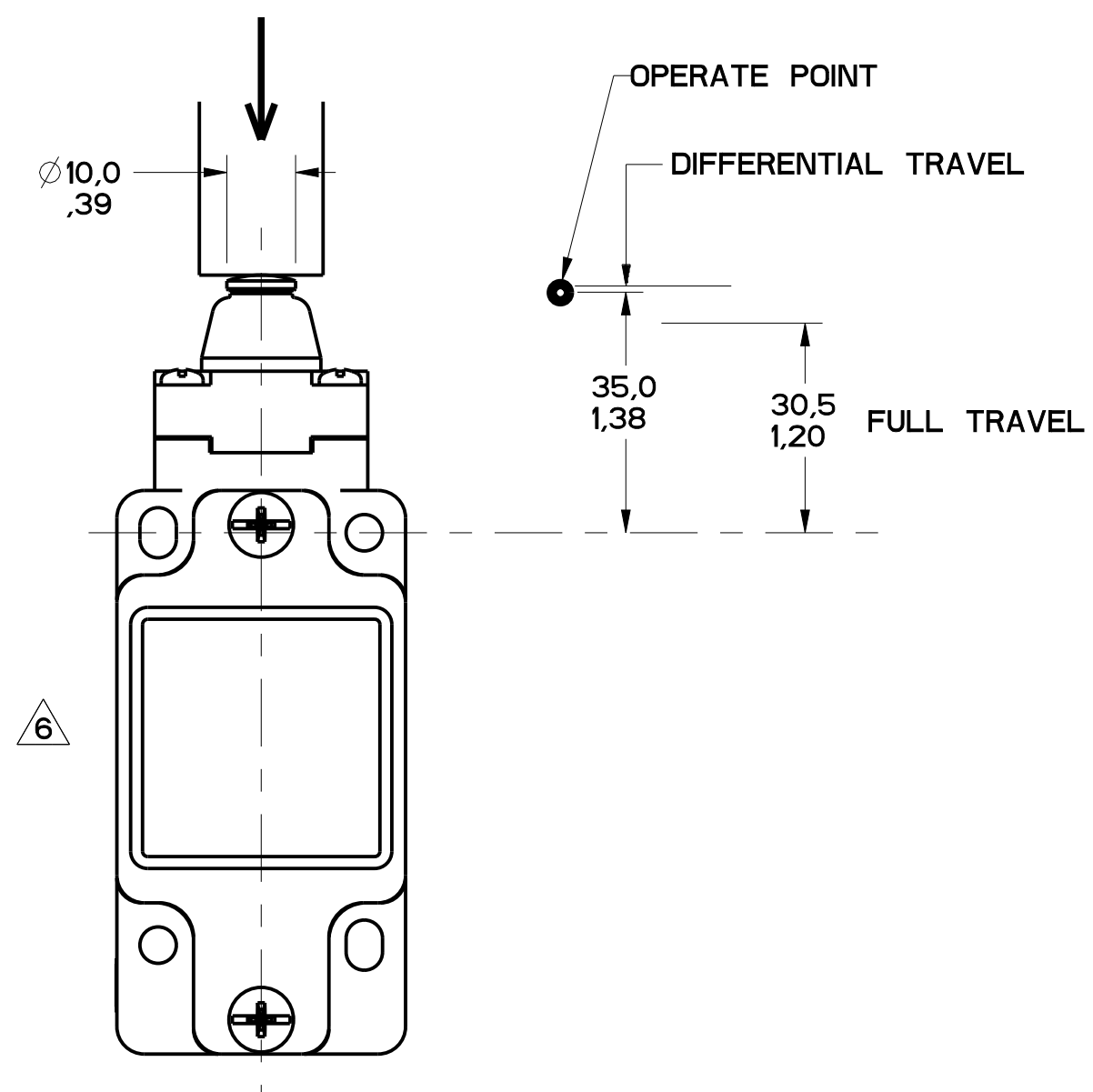


FIGURE 11

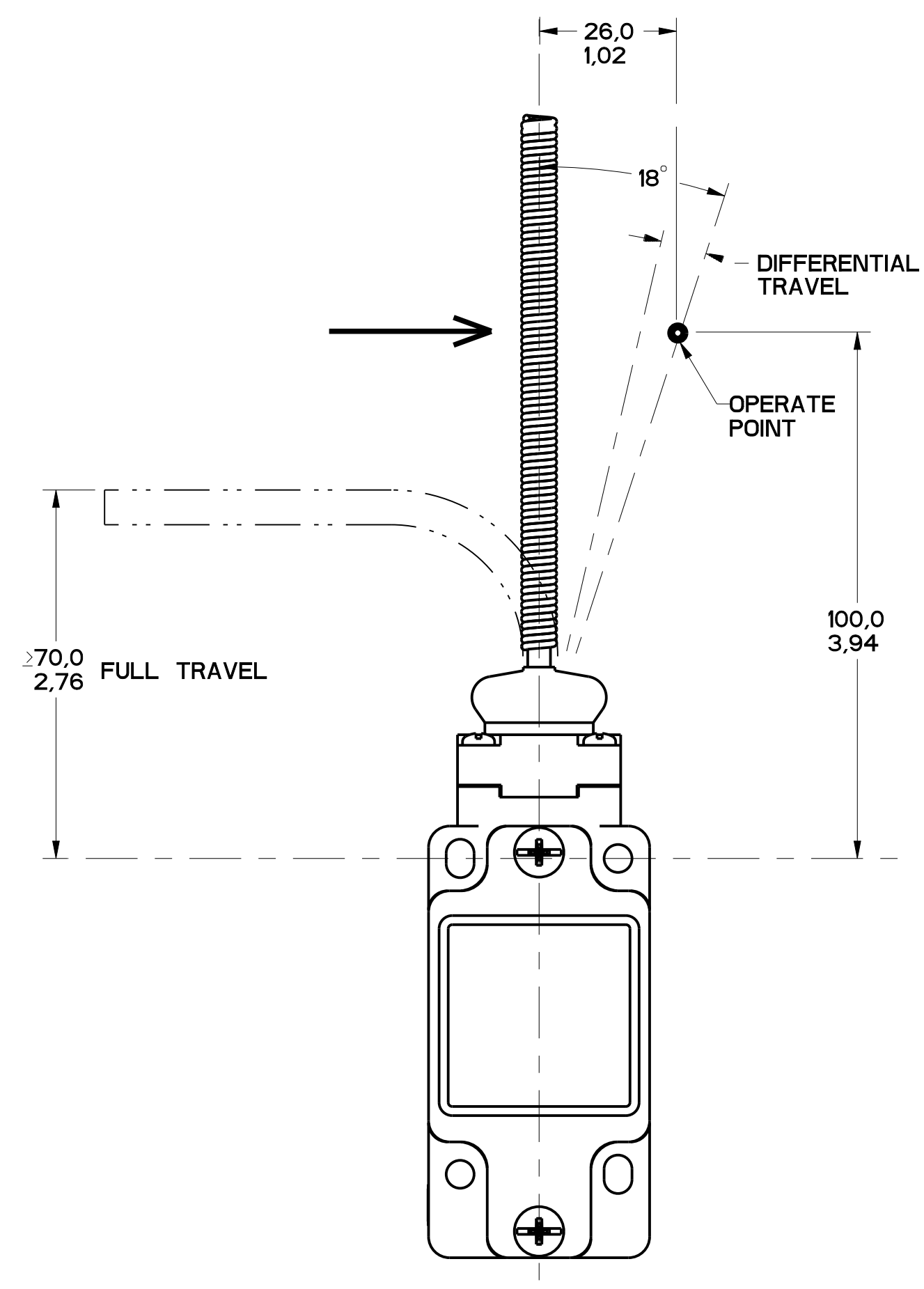


FIGURE 12

MGL SERIES CHART 1  
 DRAWING NUMBER: 6 OF 13  
 RELEASE NO. PR-20782  
 PAGES: 16  
 ISSUE: CMH  
 CHECK: CMH  
 DATE: 05 OCT 10  
 CHECK: CMH  
 DATE: 26 AUG 93  
 CHECK: G.H.  
 DATE: 080110  
 DATE: 0804570  
 DATE: 1206112  
 P.T.C./CAD: 3D  
 DRAWN: W.L.S.  
 CHECK: G.H.

REV	DESCRIPTION	DATE	BY	CHECK
1	0002401	01 JUN 83	W.L.S.	W.L.S.
2	0002786	20 JAN 84	W.L.S.	W.L.S.
3	0023759	07 AUG 86	W.L.S.	W.L.S.
4	0037216	08 FEB 88	W.L.S.	W.L.S.
5	0043629	05 FEB 88	W.L.S.	W.L.S.
6	0048605	07 FEB 89	W.L.S.	W.L.S.
7	007800	07 FEB 89	W.L.S.	W.L.S.
8	007800	07 FEB 89	W.L.S.	W.L.S.
9	0084570	080110	W.L.S.	W.L.S.
10	1206112	1206112	W.L.S.	W.L.S.

THIS DRAWING COVERS A PROPRIETARY ITEM AND IS THE PROPERTY OF MICRO SWITCH, A DIVISION OF HONEYWELL. THIS DRAWING IS NOT TO BE COPIED OR USED WITHOUT THE APPROVAL OF MICRO SWITCH.		FEDERAL MFG. CODE 91929	
<b>MICRO SWITCH</b> a Honeywell Division		CATALOG LISTING	
SWITCH, ENCLOSED		GL SERIES CHART 1	
DESIGN UNITS: <input checked="" type="checkbox"/> SI METRIC <input type="checkbox"/> US CUSTOMARY		TOLERANCES: <input type="checkbox"/> ±Z	
WEIGHT		DO NOT SCALE PRINT	
SCALE: 1:1		TOLERANCES: APPLY TO DESIGN UNITS. CONCESSIONS ARE ONLY FOR REFERENCE, UNLESS NOTED. TOLERANCES ARE:	
NO PLACES	ONE PLACE	TWO PLACES	THREE PLACES
±.04	±.02	±.01	±.005
±.08	±.04	±.02	±.01
±.16	±.08	±.04	±.02
±.32	±.16	±.08	±.04

FIGURES 11, PIN PLUNGER HEAD, LINEAR ACTUATION

CATALOG LISTING	CONTACT BLOCK DIAGRAM	NOMINAL TRAVELS AND RELATED TERMINALS ■ CONTACT CLOSED, □ CONTACT OPEN, ▨ CONTACT CLOSED DIFFERENTIAL TRAVEL, ** POSITIVE OPENING TO IEC 947-5-1	MAXIMUM OPERATING FORCE $\frac{N}{LB}$	MAXIMUM DISCONNECT FORCE $\frac{N}{LB}$	MAX OPERATE VEL $\frac{m}{in}/S$	MIN OPERATE VEL $\frac{mm}{in}/S$	MAX OPERATE FREQUENCY OPS/MIN
GL**01B GL**07B	SNAP - ACTION CONTACTS SINGLE POLE 	37.5 35 33** 30.5 21-22 13-14 0.9 DIFFERENTIAL TRAVEL	$\frac{16}{3.6}$	$\frac{27}{6.0}$	$\frac{0.1}{3.9}$	$\frac{1.0}{.04}$	250
GL**03B GL**33B	SLOW ACTING BREAK BEFORE MAKE 	37.5 35** 30.5 21-22 13-14 34	$\frac{16}{3.6}$	$\frac{27}{6.0}$	$\frac{0.1}{3.9}$	$\frac{1.0}{.04}$	250
GL**04B GL**34B	SLOW ACTING MAKE BEFORE BREAK 	37.5 34** 30.5 21-22 13-14 35	$\frac{16}{3.6}$	$\frac{27}{6.0}$	$\frac{0.1}{3.9}$	$\frac{1.0}{.04}$	250
GL**05B GL**35B	SLOW ACTING 	37.5 34 30.5 13-14 23-24	$\frac{16}{3.6}$	$\frac{27}{6.0}$	$\frac{0.1}{3.9}$	$\frac{1.0}{.04}$	250
GL**06B GL**36B	SLOW ACTING 	37.5 35** 30.5 11-12 21-22 34	$\frac{16}{3.6}$	$\frac{27}{6.0}$	$\frac{0.1}{3.9}$	$\frac{1.0}{.04}$	250
GL**20B GL**22B GL**24B GL**32B	SNAP ACTION CONTACTS DOUBLE POLE 	37.5 35 33** 30.5 11-12, 21-22 13-14, 23-24 0.9 DIFFERENTIAL TRAVEL	$\frac{16}{3.6}$	$\frac{37}{8.2}$	$\frac{0.1}{3.9}$	$\frac{1.0}{.04}$	250
GL**21B GL**25B GL**28B GL**31B	STEP 1 STEP 2 SNAP ACTION CONTACTS DOUBLE POLE SEQUENTIAL 	37.5 35 33.8 30.5 11-12 13-14 21-22 23-24 .8 DIFFERENTIAL TRAVEL	$\frac{16}{3.6}$	N/A	$\frac{0.1}{3.9}$	$\frac{1.0}{.04}$	250

FIGURE 12, WOBBLE HEAD, ANGULAR ACTUATION

CATALOG LISTING	CONTACT BLOCK DIAGRAM	NOMINAL TRAVELS AND RELATED TERMINALS ■ CONTACT CLOSED, □ CONTACT OPEN, ▨ CONTACT CLOSED DIFFERENTIAL TRAVEL, ** POSITIVE OPENING TO IEC 947-5-1	MAXIMUM OPERATING TORQUE $\frac{N-m}{LB/in}$	MAXIMUM DISCONNECT TORQUE $\frac{N-m}{LB/in}$	MAX OPERATE DEGREE/S	MIN OPERATE VELOCITY DEGREE/S	MAX OPERATE RATE CYCLES/MIN
GL**01E GL**07E	SNAP - ACTION CONTACTS SINGLE POLE 	21-22 13-14 18° 8° DIFFERENTIAL TRAVEL	$\frac{0.2}{1.8}$	N/A	360	8	100
GL**03E GL**33E	SLOW ACTING BREAK BEFORE MAKE 	21-22 13-14 0° 18° 25° 35°	$\frac{0.2}{1.8}$	N/A	360	8	100
GL**04E GL**34E	SLOW ACTING MAKE BEFORE BREAK 	21-22 13-14 0° 18° 25° 35°	$\frac{0.2}{1.8}$	N/A	360	8	100
GL**05E GL**35E	SLOW ACTING 	13-14 23-24 0° 25° 35°	$\frac{0.2}{1.8}$	N/A	360	8	100
GL**06E GL**36E	SLOW ACTING 	11-12 21-22 0° 18° 35°	$\frac{0.2}{1.8}$	N/A	360	8	100
GL**20E GL**22E GL**24E GL**32E	SNAP ACTION CONTACTS DOUBLE POLE 	11-12, 21-22 13-14, 23-24 18° 8° DIFFERENTIAL TRAVEL	$\frac{0.2}{1.8}$	N/A	360	8	100

FIGURE 12, WOBBLE HEAD, SIDE ACTUATION AT 100mm

CATALOG LISTING	CONTACT BLOCK DIAGRAM	NOMINAL TRAVELS AND RELATED TERMINALS ■ CONTACT CLOSED, □ CONTACT OPEN, ▨ CONTACT CLOSED DIFFERENTIAL TRAVEL, ** POSITIVE OPENING TO IEC 947-5-1	MAXIMUM OPERATING FORCE $\frac{N}{LB}$	MAXIMUM DISCONNECT FORCE $\frac{N}{LB}$	MAX OPERATE VEL $\frac{m}{in}/S$	MIN OPERATE VEL $\frac{mm}{in}/S$	MAX OPERATE FREQUENCY OPS/MIN
GL**01E GL**07E	SNAP - ACTION CONTACTS SINGLE POLE 	21-22 13-14 26 12 DIFFERENTIAL TRAVEL	$\frac{2.5}{0.6}$	N/A	$\frac{.5}{19.7}$	$\frac{11}{.43}$	100
GL**03E GL**33E	SLOW ACTING BREAK BEFORE MAKE 	21-22 13-14 26.5 38.1	$\frac{2.5}{0.6}$	N/A	$\frac{.5}{19.7}$	$\frac{11}{.43}$	100
GL**04E GL**34E	SLOW ACTING MAKE BEFORE BREAK 	21-22 13-14 26.5 38.1	$\frac{2.5}{0.6}$	N/A	$\frac{.5}{19.7}$	$\frac{11}{.43}$	100
GL**05E GL**35E	SLOW ACTING 	13-14 23-24 38.1	$\frac{2.5}{0.6}$	N/A	$\frac{.5}{19.7}$	$\frac{11}{.43}$	100
GL**06E GL**36E	SLOW ACTING 	11-12 21-22 26.5	$\frac{2.5}{0.6}$	N/A	$\frac{.5}{19.7}$	$\frac{11}{.43}$	100
GL**20E GL**22E GL**24E GL**32E	SNAP ACTION CONTACTS DOUBLE POLE 	11-12, 21-22 13-14, 23-24 26	$\frac{2.5}{0.6}$	N/A	360	8	100

MGL SERIES CHART 1  
 DRAWING NUMBER: 7 OF 13  
 RELEASE NO. PR-201782  
 CHECK: CMH  
 DATE: 05 OCT 10  
 CHECK: CMH  
 DATE: 26 AUG 93  
 PTC/CAD  
 W. L. S. 20 AUG 93  
 CHECK: G.H.  
 DATE: 12 OCT 12

THIRD ANGLE PROJECTION

SCALE: -

DO NOT SCALE PRINT

TOLERANCES

APPLY TO DESIGN UNITS. CONVERSIONS ARE ONLY FOR REFERENCE. UNLESS NOTED, TOLERANCES ARE:

NO PLACES	1X	12.04	1.1	0.81/0.5
TWO PLACES	2X	0.15/0.06	0.15/0.06	0.15/0.06
THREE PLACES	3X	0.15/0.06	0.15/0.06	0.15/0.06

DESIGN UNITS: SI METRIC  US CUSTOMARY

WEIGHT

THIS DRAWING COVERS A PROPRIETARY ITEM AND IS THE PROPERTY OF MICRO SWITCH, A DIVISION OF HONEYWELL. THIS DRAWING IS NOT TO BE COPIED OR USED WITHOUT THE APPROVAL OF MICRO SWITCH.

FED. MFG. CODE 91929

CATALOG LISTING

**MICRO SWITCH**  
a Honeywell Division

**SWITCH, ENCLOSED**

**GL SERIES CHART 1**

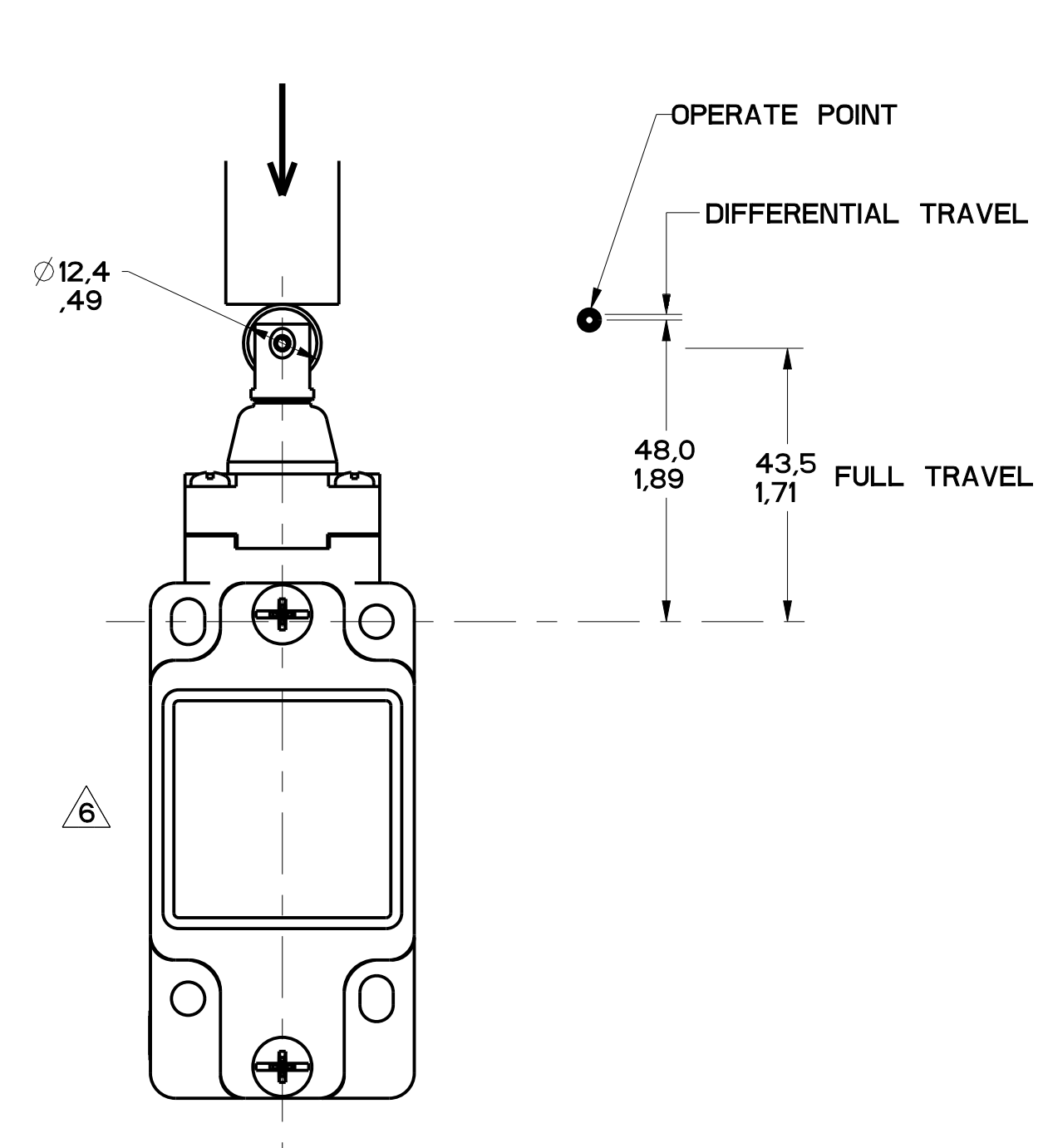


FIGURE 13A

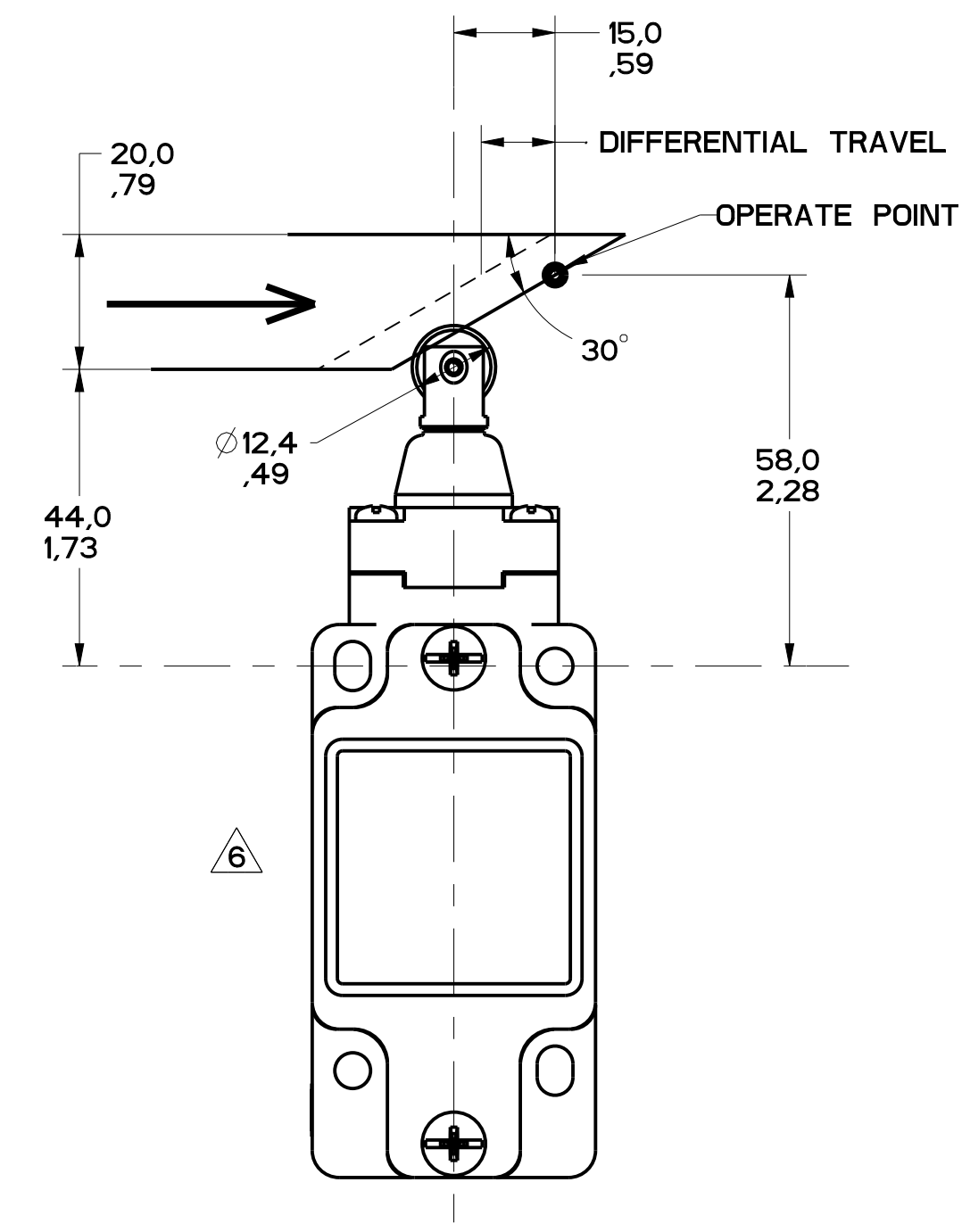


FIGURE 13B

MGL SERIES CHART 1  
 DRAWING NUMBER: 8 OF 13  
 ISSUE: 16  
 P.T.C./CAD  
 W.L.S. 20APR83  
 CHECK: G.H.  
 RELEASE NO. PR-20782  
 APPROVALS:  
 H 0223759  
 J 0037216  
 K 0042629  
 L 0048605  
 M 0070059  
 N 0094510  
 O 0001110  
 P 0001110  
 Q 0001110  
 R 0001110  
 S 0001110  
 T 0001110  
 U 0001110  
 V 0001110  
 W 0001110  
 X 0001110  
 Y 0001110  
 Z 0001110

THIS DRAWING COVERS A PROPRIETARY ITEM AND IS THE PROPERTY OF MICRO SWITCH, A DIVISION OF HONEYWELL. THIS DRAWING IS NOT TO BE COPIED OR USED WITHOUT THE APPROVAL OF MICRO SWITCH. FED. MFG. CODE 91929		CATALOG LISTING	
<b>MICRO SWITCH</b> a Honeywell Division		SWITCH, ENCLOSED	
DESIGN UNITS: <input checked="" type="checkbox"/> SI METRIC <input type="checkbox"/> US CUSTOMARY		GL SERIES CHART 1	
WEIGHT:		TOLERANCES APPLY TO DESIGN UNITS. CONVERSIONS ARE ONLY FOR REFERENCE, UNLESS NOTED. TOLERANCES ARE:	
NO. PLACES ONE PLACE TWO PLACES THREE PLACES ANGLES	SI METRIC ±.05 ±.02 ±.01 ±.005 ±.02 ±.01	US CUSTOMARY ±.0015 ±.0005 ±.0002 ±.0001 ±.0005 ±.0002	TOL. ±.0015 ±.0005 ±.0002 ±.0001 ±.0005 ±.0002



FIGURE 13A, ROLLER PLUNGER HEAD, PIN ACTUATION

CATALOG LISTING	CONTACT BLOCK DIAGRAM	NOMINAL TRAVELS AND RELATED TERMINALS ■ CONTACT CLOSED, □ CONTACT OPEN, ▨ CONTACT CLOSED DIFFERENTIAL TRAVEL, ** POSITIVE OPENING TO IEC 947-5-1	MAXIMUM OPERATING FORCE $\frac{N}{LB}$	MAXIMUM DISCONNECT FORCE $\frac{N}{LB}$	MAX OPERATE VEL $\frac{M/S}{IN/S}$	MIN OPERATE VEL $\frac{MM/S}{IN/S}$	MAX OPERATE FREQUENCY OPS/MIN
GL**01C GL**07C	SNAP - ACTION CONTACTS SINGLE POLE 		$\frac{16}{3.6}$	$\frac{27}{6.0}$	$\frac{0.1}{3.9}$	$\frac{1.0}{.04}$	250
GL**03C GL**33C	SLOW ACTING BREAK BEFORE MAKE 		$\frac{16}{3.6}$	$\frac{27}{6.0}$	$\frac{0.1}{3.9}$	$\frac{1.0}{.04}$	250
GL**04C GL**34C	SLOW ACTING MAKE BEFORE BREAK 		$\frac{16}{3.6}$	$\frac{27}{6.0}$	$\frac{0.1}{3.9}$	$\frac{1.0}{.04}$	250
GL**05C GL**35C	SLOW ACTING 		$\frac{16}{3.6}$	$\frac{27}{6.0}$	$\frac{0.1}{3.9}$	$\frac{1.0}{.04}$	250
GL**06C GL**36C	SLOW ACTING 		$\frac{16}{3.6}$	$\frac{27}{6.0}$	$\frac{0.1}{3.9}$	$\frac{1.0}{.04}$	250
GL**20C GL**22C GL**24C GL**32C	SNAP ACTION CONTACTS DOUBLE POLE 		$\frac{16}{3.6}$	$\frac{37}{8.2}$	$\frac{0.1}{3.9}$	$\frac{1.0}{.04}$	250
GL**21C GL**25C GL**28C GL**31C	STEP 1 STEP 2 SNAP ACTION CONTACTS DOUBLE POLE SEQUENTIAL 		$\frac{16}{3.6}$	N/A	$\frac{0.1}{3.9}$	$\frac{1.0}{.04}$	250

FIGURE 13B, TOP ROLLER PLUNGER HEAD, CAM ACTUATION PER EN50041

CATALOG LISTING	CONTACT BLOCK DIAGRAM	NOMINAL TRAVELS AND RELATED TERMINALS ■ CONTACT CLOSED, □ CONTACT OPEN, ▨ CONTACT CLOSED DIFFERENTIAL TRAVEL, ** POSITIVE OPENING TO IEC 947-5-1	MAXIMUM OPERATING FORCE $\frac{N}{LB}$	MAXIMUM DISCONNECT FORCE $\frac{N}{LB}$	MAX OPERATE VEL $\frac{M/S}{IN/S}$	MIN OPERATE VEL $\frac{MM/S}{IN/S}$	MAX OPERATE FREQUENCY OPS/MIN
GL**01C GL**07C	SNAP - ACTION CONTACTS SINGLE POLE 		$\frac{9.3}{2.1}$	$\frac{15.6}{3.5}$	$\frac{0.17}{6.7}$	$\frac{1.7}{.067}$	250
GL**03C GL**33C	SLOW ACTING BREAK BEFORE MAKE 		$\frac{9.3}{2.1}$	$\frac{15.6}{3.5}$	$\frac{0.17}{6.7}$	$\frac{1.7}{.067}$	250
GL**04C GL**34C	SLOW ACTING MAKE BEFORE BREAK 		$\frac{9.3}{2.1}$	$\frac{15.6}{3.5}$	$\frac{0.17}{6.7}$	$\frac{1.7}{.067}$	250
GL**05C GL**35C	SLOW ACTING 		$\frac{9.3}{2.1}$	$\frac{15.6}{3.5}$	$\frac{0.17}{6.7}$	$\frac{1.7}{.067}$	250
GL**06C GL**36C	SLOW ACTING 		$\frac{9.3}{2.1}$	$\frac{15.6}{3.5}$	$\frac{0.17}{6.7}$	$\frac{1.7}{.067}$	250
GL**20C GL**22C GL**24C GL**32C	SNAP ACTION CONTACTS DOUBLE POLE 		$\frac{9.3}{2.1}$	$\frac{21.4}{4.8}$	$\frac{0.17}{6.7}$	$\frac{1.7}{.067}$	250
GL**21C GL**25C GL**28C GL**31C	STEP 1 STEP 2 SNAP ACTION CONTACTS DOUBLE POLE SEQUENTIAL 		$\frac{9.3}{2.1}$	N/A	$\frac{0.17}{6.7}$	$\frac{1.7}{.067}$	250

MGL SERIES CHART 1  
 DRAWING NUMBER: 9 OF 13  
 RELEASE NO. PR-20782  
 DATE: 05 OCT 12  
 CHECK: CMH  
 PTC/CAD: W.L.S. 05 MAR 01  
 CHECK: SAV  
 DATE: 12 OCT 12

REV	DATE	BY	CHKD
1	080504	WLS	WLS
2	080503	WLS	WLS
3	080786	WLS	WLS
4	080804	WLS	WLS
5	082359	WLS	WLS
6	082606	WLS	WLS
7	083716	WLS	WLS
8	081888	WLS	WLS
9	084369	WLS	WLS
10	080808	WLS	WLS
11	084805	WLS	WLS
12	087809	WLS	WLS
13	087809	WLS	WLS
14	087809	WLS	WLS
15	087809	WLS	WLS
16	087809	WLS	WLS
17	087809	WLS	WLS
18	087809	WLS	WLS
19	087809	WLS	WLS
20	087809	WLS	WLS

THIRD ANGLE PROJECTION

SCALE: -

DO NOT SCALE PRINT

TOLERANCES

APPLY TO DESIGN UNITS. CONVERSIONS ARE ONLY FOR REFERENCE. UNLESS NOTED, TOLERANCES ARE:

NO. PLACES	FR	IN	FR	IN
ONE PLACE	X	12.04	X	0.8105
TWO PLACES	X	0.4074	X	0.30015
THREE PLACES	X	0.15206	X	0.113015

DESIGN UNITS:  SI METRIC  US CUSTOMARY

WEIGHT

THIS DRAWING COVERS A PROPRIETARY ITEM AND IS THE PROPERTY OF MICRO SWITCH, A DIVISION OF HONEYWELL. THIS DRAWING IS NOT TO BE COPIED OR USED WITHOUT THE APPROVAL OF MICRO SWITCH.

FED. MFG. CODE 91929

CATALOG LISTING

**MICRO SWITCH**  
a Honeywell Division

**SWITCH, ENCLOSED**

**GL SERIES CHART 1**



FIGURE 14A, TOP ROLLER LEVER HEAD WITH PIN ACTUATION

CATALOG LISTING	CONTACT BLOCK DIAGRAM	NOMINAL TRAVELS AND RELATED TERMINALS ■ - CONTACT CLOSED, □ - CONTACT OPEN, ▨ - CONTACT CLOSED DIFFERENTIAL TRAVEL, ** POSITIVE OPENING TO IEC 947-5-1	MAXIMUM OPERATING FORCE $\frac{N}{LB}$	MAXIMUM DISCONNECT FORCE $\frac{N}{LB}$	MAX OPERATE VEL $\frac{M/S}{IN/S}$	MIN OPERATE VEL $\frac{M/S}{IN/S}$	MAX OPERATE FREQUENCY OPS/MIN
GL**01D GL**07D	SNAP - ACTION CONTACTS SINGLE POLE 	 1.7 DIFFERENTIAL TRAVEL	$\frac{9.5}{2.1}$	$\frac{12}{2.7}$	$\frac{0.17}{6.7}$	$\frac{1.7}{.067}$	250
GL**03D GL**33D	SLOW ACTING BREAK BEFORE MAKE 	 59.1	$\frac{9.5}{2.1}$	$\frac{12}{2.7}$	$\frac{0.17}{6.7}$	$\frac{1.7}{.067}$	250
GL**04D GL**34D	SLOW ACTING MAKE BEFORE BREAK 	 61	$\frac{9.5}{2.1}$	$\frac{12}{2.7}$	$\frac{0.17}{6.7}$	$\frac{1.7}{.067}$	250
GL**05D GL**35D	SLOW ACTING 	 59.1	$\frac{9.5}{2.1}$	$\frac{12}{2.7}$	$\frac{0.17}{6.7}$	$\frac{1.7}{.067}$	250
GL**06D GL**36D	SLOW ACTING 	 61	$\frac{9.5}{2.1}$	$\frac{12}{2.7}$	$\frac{0.17}{6.7}$	$\frac{1.7}{.067}$	250
GL**20D GL**22D GL**24D GL**32D	SNAP ACTION CONTACTS DOUBLE POLE 	 1.7 DIFFERENTIAL TRAVEL	$\frac{9.5}{2.1}$	$\frac{16.4}{3.7}$	$\frac{0.17}{6.7}$	$\frac{1.7}{.067}$	250
GL**21D GL**25D GL**28D GL**31D	STEP 1 STEP 2 SNAP ACTION CONTACTS DOUBLE POLE SEQUENTIAL 	 1.6 DIFFERENTIAL TRAVEL	$\frac{9.5}{2.1}$	N/A	$\frac{0.17}{6.7}$	$\frac{1.7}{.067}$	250

FIGURE 14B, TOP ROLLER LEVER HEAD WITH CAM ACTUATION

CATALOG LISTING	CONTACT BLOCK DIAGRAM	NOMINAL TRAVELS AND RELATED TERMINALS ■ - CONTACT CLOSED, □ - CONTACT OPEN, ▨ - CONTACT CLOSED DIFFERENTIAL TRAVEL, ** POSITIVE OPENING TO IEC 947-5-1	MAXIMUM OPERATING FORCE $\frac{N}{LB}$	MAXIMUM DISCONNECT FORCE $\frac{N}{LB}$	MAX OPERATE VEL $\frac{M/S}{IN/S}$	MIN OPERATE VEL $\frac{M/S}{IN/S}$	MAX OPERATE FREQUENCY OPS/MIN
GL**01D GL**07D	SNAP - ACTION CONTACTS SINGLE POLE 	 4.1 DIFFERENTIAL TRAVEL	$\frac{5.5}{1.2}$	$\frac{7.0}{1.6}$	$\frac{0.29}{11.4}$	$\frac{2.9}{.11}$	250
GL**03D GL**33D	SLOW ACTING BREAK BEFORE MAKE 	 24.1	$\frac{5.5}{1.2}$	$\frac{7.0}{1.6}$	$\frac{0.29}{11.4}$	$\frac{2.9}{.11}$	250
GL**04D GL**34D	SLOW ACTING MAKE BEFORE BREAK 	 20	$\frac{5.5}{1.2}$	$\frac{9.6}{2.2}$	$\frac{0.29}{11.4}$	$\frac{2.9}{.11}$	250
GL**05D GL**35D	SLOW ACTING 	 24.1	$\frac{5.5}{1.2}$	$\frac{7.0}{1.6}$	$\frac{0.29}{11.4}$	$\frac{2.9}{.11}$	250
GL**06D GL**36D	SLOW ACTING 	 20	$\frac{5.5}{1.2}$	$\frac{7.0}{1.6}$	$\frac{0.29}{11.4}$	$\frac{2.9}{.11}$	250
GL**20D GL**22D GL**24D GL**32D	SNAP ACTION CONTACTS DOUBLE POLE 	 4.1 DIFFERENTIAL TRAVEL	$\frac{5.5}{1.2}$	$\frac{7.0}{1.6}$	$\frac{0.29}{11.4}$	$\frac{2.9}{.11}$	250
GL**21D GL**25D GL**28D GL**31D	STEP 1 STEP 2 SNAP ACTION CONTACTS DOUBLE POLE SEQUENTIAL 	 3.7 DIFFERENTIAL TRAVEL	$\frac{5.5}{1.2}$	N/A	$\frac{0.29}{11.4}$	$\frac{2.9}{.11}$	250

MGL SERIES CHART 1  
 DRAWING NUMBER: 11 OF 13  
 PTC/CAD 3D  
 GH 05MARC01  
 CMH 120C112  
 RELEASE NO. -  
 16  
 ISSUE  
 CMH 120C112  
 CHECK  
 CMH 050C110  
 CHECK  
 CMH 023759  
 CHECK  
 CMH 071506  
 CHECK  
 CMH 0037216  
 CHECK  
 CMH 0043629  
 CHECK  
 CMH 050108  
 CHECK  
 CMH 0048605  
 CHECK  
 CMH 0071809  
 CHECK  
 CMH 0075059  
 CHECK  
 CMH 0084570  
 CHECK  
 CMH 120C112  
 CHECK

THIRD ANGLE PROJECTION

SCALE: -

DO NOT SCALE PRINT

TOLERANCES

APPLY TO DESIGN UNITS. CONVERSIONS ARE ONLY FOR REFERENCE. UNLESS NOTED, TOLERANCES ARE:

	IN	MIL	MM	MM
NO PLACES	X	12.00	X	0.01, 0.05
ONE PLACE	X	0.125, 0.250	X	0.05, 0.10, 0.15, 0.20
TWO PLACES	X	0.0025, 0.0050	X	0.0025, 0.0050
THREE PLACES	X	±0.0005	X	±0.0005
ANGLES		±2'		

DESIGN UNITS:  SI METRIC  US CUSTOMARY

THIS DRAWING COVERS A PROPRIETARY ITEM AND IS THE PROPERTY OF MICRO SWITCH, A DIVISION OF HONEYWELL. THIS DRAWING IS NOT TO BE COPIED OR USED WITHOUT THE APPROVAL OF MICRO SWITCH.

FED. MFG. CODE 91929

CATALOG LISTING

**MICRO SWITCH**  
a Honeywell Division

**SWITCH, ENCLOSED**

**GL SERIES CHART 1**

WEIGHT

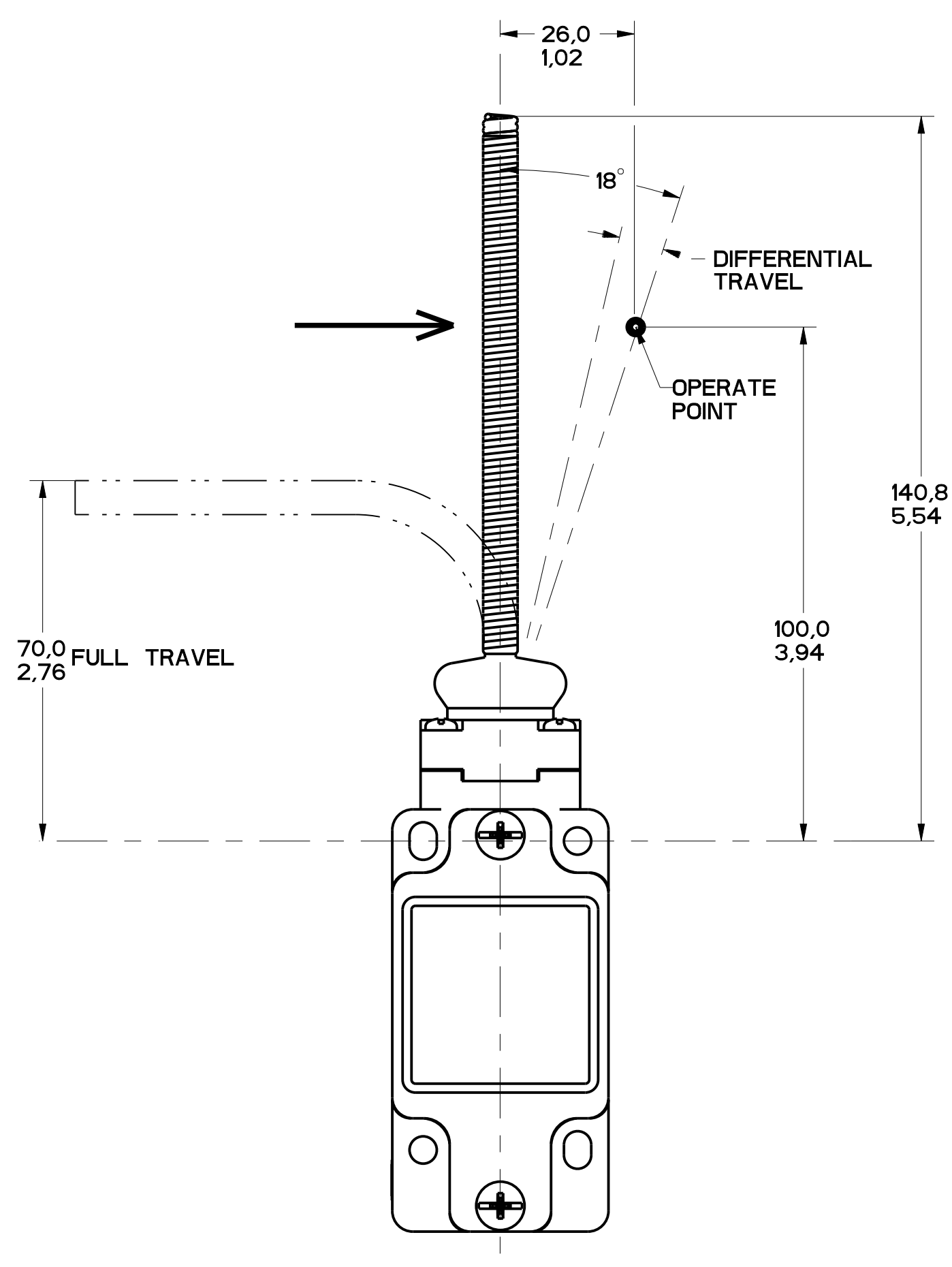


FIGURE 15

DRAWING NUMBER		PAGE 12 OF 13		RELEASE NO.	
16					
ISSUE					
BY					
CHKD					
APP'D					
DATE					
REV					
BY					
CHKD					
APP'D					
DATE					
REV					
BY					
CHKD					
APP'D					
DATE					
REV					
BY					
CHKD					
APP'D					
DATE					
REV					
BY					
CHKD					
APP'D					
DATE					
REV					
BY					
CHKD					
APP'D					
DATE					
REV					
BY					
CHKD					
APP'D					
DATE					
REV					
BY					
CHKD					
APP'D					
DATE					
REV					
BY					
CHKD					
APP'D					
DATE					
REV					
BY					
CHKD					
APP'D					
DATE					
REV					
BY					
CHKD					
APP'D					
DATE					
REV					
BY					
CHKD					
APP'D					
DATE					
REV					
BY					
CHKD					
APP'D					
DATE					
REV					
BY					
CHKD					
APP'D					
DATE					
REV					
BY					
CHKD					
APP'D					
DATE					
REV					
BY					
CHKD					
APP'D					
DATE					
REV					
BY					
CHKD					
APP'D					
DATE					
REV					
BY					
CHKD					
APP'D					
DATE					
REV					
BY					
CHKD					
APP'D					
DATE					
REV					
BY					
CHKD					
APP'D					
DATE					
REV					
BY					
CHKD					
APP'D					
DATE					
REV					
BY					
CHKD					
APP'D					
DATE					
REV					
BY					
CHKD					
APP'D					
DATE					
REV					
BY					
CHKD					
APP'D					
DATE					
REV					
BY					
CHKD					
APP'D					
DATE					
REV					
BY					
CHKD					
APP'D					
DATE					
REV					
BY					
CHKD					
APP'D					
DATE					
REV					
BY					
CHKD					
APP'D					
DATE					
REV					
BY					
CHKD					
APP'D					
DATE					
REV					
BY					
CHKD					
APP'D					
DATE					
REV					
BY					
CHKD					
APP'D					
DATE					
REV					
BY					
CHKD					
APP'D					
DATE					
REV					
BY					
CHKD					
APP'D					
DATE					
REV					
BY					
CHKD					
APP'D					
DATE					
REV					
BY					
CHKD					
APP'D					
DATE					
REV					
BY					
CHKD					
APP'D					
DATE					
REV					
BY					
CHKD					
APP'D					
DATE					
REV					
BY					
CHKD					
APP'D					
DATE					
REV					
BY					
CHKD					
APP'D					
DATE					
REV					
BY					
CHKD					
APP'D					
DATE					
REV					
BY					
CHKD					
APP'D					
DATE					
REV					
BY					
CHKD					
APP'D					
DATE					
REV					
BY					
CHKD					
APP'D					
DATE					
REV					
BY					
CHKD					
APP'D					
DATE					
REV					
BY					
CHKD					
APP'D					
DATE					
REV					
BY					
CHKD					
APP'D					
DATE					
REV					
BY					
CHKD					
APP'D					
DATE					
REV					
BY					
CHKD					
APP'D					
DATE					
REV					
BY					
CHKD					
APP'D					
DATE					
REV					
BY					
CHKD					
APP'D					
DATE					
REV					
BY					
CHKD					
APP'D					
DATE					
REV					
BY					
CHKD					
APP'D					
DATE					
REV					
BY					
CHKD					
APP'D					
DATE					
REV					
BY					
CHKD					
APP'D					
DATE					
REV					
BY					
CHKD					
APP'D					
DATE					
REV					
BY					
CHKD					
APP'D					
DATE					
REV					
BY					
CHKD					
APP'D					
DATE					
REV					
BY					
CHKD					
APP'D					
DATE					
REV					
BY					
CHKD					
APP'D					
DATE					
REV					
BY					
CHKD					
APP'D					
DATE					
REV					
BY					
CHKD					
APP'D					
DATE					

FIGURE 15, CAT WISKER HEAD, ANGULAR ACTUATION

CATALOG LISTING	CONTACT BLOCK DIAGRAM	NOMINAL TRAVELS AND RELATED TERMINALS - CONTACT CLOSED, - CONTACT OPEN, - CONTACT CLOSED DIFFERENTIAL TRAVEL	MAXIMUM OPERATING TORQUE N-m LB-IN	MAXIMUM DISCONNECT TORQUE N-m LB-IN	MAX OPERATE DEGREE/S	MIN OPERATE VELOCITY DEGREE/S	MAX OPERATE RATE CYCLES/MIN
GL**01K GL**07K	SNAP - ACTION CONTACTS SINGLE POLE 	21-22 18° 13-14 8° DIFFERENTIAL TRAVEL	0.1 .9	N/A	360	8	100
GL**03K GL**33K	SLOW ACTING BREAK BEFORE MAKE 	21-22 18° 13-14 25	0.1 .9	N/A	360	8	100
GL**04K GL**34K	SLOW ACTING MAKE BEFORE BREAK 	21-22 25° 13-14 18°	0.1 .9	N/A	360	8	100
GL**05K GL**35K	SLOW ACTING 	13-14 25° 23-24	0.1 .9	N/A	360	8	100
GL**06K GL**36K	SLOW ACTING 	11-12 18° 21-22	0.1 .9	N/A	360	8	100
GL**20K GL**22K GL**24K GL**32K	SNAP ACTION CONTACTS DOUBLE POLE 	11-12, 21-22 18° 13-14, 23-24 8° DIFFERENTIAL TRAVEL	0.1 .9	N/A	360	8	100

FIGURE 15, CAT WISKER HEAD, SIDE ACTUATION AT 100mm

CATALOG LISTING	CONTACT BLOCK DIAGRAM	NOMINAL TRAVELS AND RELATED TERMINALS - CONTACT CLOSED, - CONTACT OPEN, - CONTACT CLOSED DIFFERENTIAL TRAVEL	MAXIMUM OPERATING FORCE N LB	MAXIMUM DISCONNECT FORCE N LB	MAX OPERATE VEL M/S in/S	MIN OPERATE VEL mm/S in/S	MAX OPERATE FREQUENCY OPS/MIN
GL**01K GL**07K	SNAP - ACTION CONTACTS SINGLE POLE 	21-22 26 13-14 12 DIFFERENTIAL TRAVEL	1.3 .3	N/A	.5 19.7	.11 .43	100
GL**03K GL**33K	SLOW ACTING BREAK BEFORE MAKE 	21-22 26.5 38.1 13-14	1.3 0.3	N/A	.5 19.7	.11 .43	100
GL**04K GL**34K	SLOW ACTING MAKE BEFORE BREAK 	21-22 26.5 38.1 13-14	1.3 0.3	N/A	.5 19.7	.11 .43	100
GL**05K GL**35K	SLOW ACTING 	13-14 38.1 23-24	1.3 0.3	N/A	.5 19.7	.11 .43	100
GL**06K GL**36K	SLOW ACTING 	11-12 26.5 21-22	1.3 0.3	N/A	.5 19.7	.11 .43	100
GL**20K GL**22K GL**24K GL**32K	SNAP ACTION CONTACTS DOUBLE POLE 	11-12, 21-22 26 13-14, 23-24 12 DIFFERENTIAL TRAVEL	1.3 0.3	N/A	.5 19.7	.11 .43	100

MGL SERIES CHART 1  
 DRAWING NUMBER: 13 OF 13  
 RELEASE NO.:  
 ISSUE: 16  
 CHECK: CMH  
 DATE: 05 OCT 12  
 PTC/CAD: 3D  
 DRAWN: GH  
 CHECK: GH  
 DATE: 05 MAR 01  
 PTC/CAD: 3D  
 DRAWN: GH  
 CHECK: GH  
 DATE: 05 OCT 12

THIRD ANGLE PROJECTION  
  
 SCALE: -  
 DO NOT SCALE PRINT  
 TOLERANCES  
 APPLY TO DESIGN UNITS. CONVERSIONS ARE ONLY FOR REFERENCE. UNLESS NOTED, TOLERANCES ARE:  

	DIM	TOL.	DIM	TOL.
NO PLACES	X	12.04	X	0.0105
ONE PLACES	X	0.0105	X	0.0015
TWO PLACES	X	0.0015	X	0.0002
THREE PLACES	X	0.0002	X	0.00005

 ANGLES: ±2°  
 DESIGN UNITS:  SI METRIC  US CUSTOMARY  
 WEIGHT:

THIS DRAWING COVERS A PROPRIETARY ITEM AND IS THE PROPERTY OF MICRO SWITCH, A DIVISION OF HONEYWELL. THIS DRAWING IS NOT TO BE COPIED OR USED WITHOUT THE APPROVAL OF MICRO SWITCH.  
 FED. MFG. CODE 91929  
**MICRO SWITCH**  
 a Honeywell Division  
 SWITCH, ENCLOSED  
 CATALOG LISTING  
**GL SERIES CHART 1**