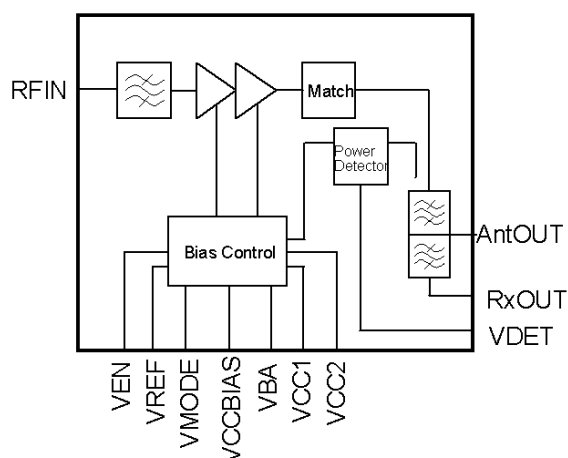


3V Cellular Band WCDMA PA-Duplexer-Module

Functional Block Diagram



Product Description

The PowerPAD™ is an integrated 3V linear Power Amplifier, SAW Duplexer and Transmit filter Module including power detection designed for mobile UMTS handset applications, supporting HSDPA operation.

It features high/low output power modes, analog bias control, low off and standby currents, and a separate pin for module enable. RF input and output matching is included within the module; therefore, minimal external circuitry is required.

The 8X5mm PowerPAD™ gives excellent RF performance with low current consumption resulting in longer talk times in portable applications. The small 8 x 5 mm² surface mount package is ideal for new generation small and light phones.

Electrical Specifications

Parameter	Min	Typ	Max	Units
Tx-Frequency	826.4	836.5	846.6	MHz
Rx-Frequency	871.4	881.5	891.6	
Linear P _{OUT} (HSDPA) high mode	24.8			dBm
Maximum current high mode		400		mA
ACLR (HSDPA) 5 MHz		-45		dBc
ACLR (HSDPA) 10 MHz		-60		dBc
Ant-to-Rx Insertion Loss		2.8		dB

Test Conditions: V_{CC1} = V_{CC2} = V_{CCBIAS} = 3.4 V, V_{REF} = 2.775 V, T = 25°C

Features

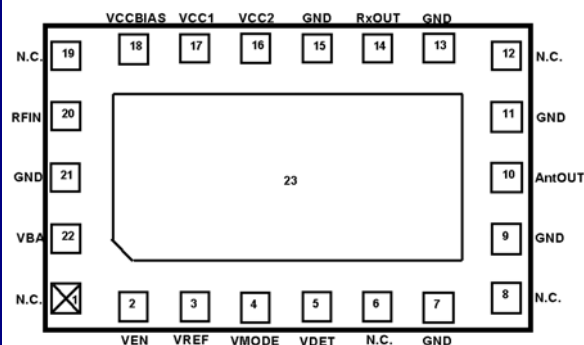
- Handset power amplifier PA-Duplexer-Module for W-CDMA Bands V & VI
- Supports two modulation schemes: standard WCDMA, HSDPA
- Integrates power amplifier, power detector, interstage filter and duplexer
- Low current consumption:
 - high/low power mode
 - analog bias control
- Low V_{Ref} = 2.775 V
- Separate 'module enable' pin
- RF input and output matched to 50 Ω
- High-reliability InGaP HBT technology
- 22-pin package
- Compact size: 8 x 5 x 1.5 mm³

Applications

- 3G handsets and Data-Cards

Package Style

- 8 x 5 mm² LGA package



Data Sheet

For additional information and latest specifications, see our website: www.triquint.com
Revision B, July 25, 2006