

CATALOG LISTING
M 12TL1-70 SERIES CHART 1
 PAGE 1 OF 1
 ISSUE 4
 REVISIONS
 A C092297 JAK 16 FEB 98
 B CO-94428 CSJ 28 NOV 99
 C 0003086 RS 05 FEB 04
 CHECK MDM
 10 JUN 94 CHECK KAG 23 JUN 04
 FORMTEK DRAWN LJF

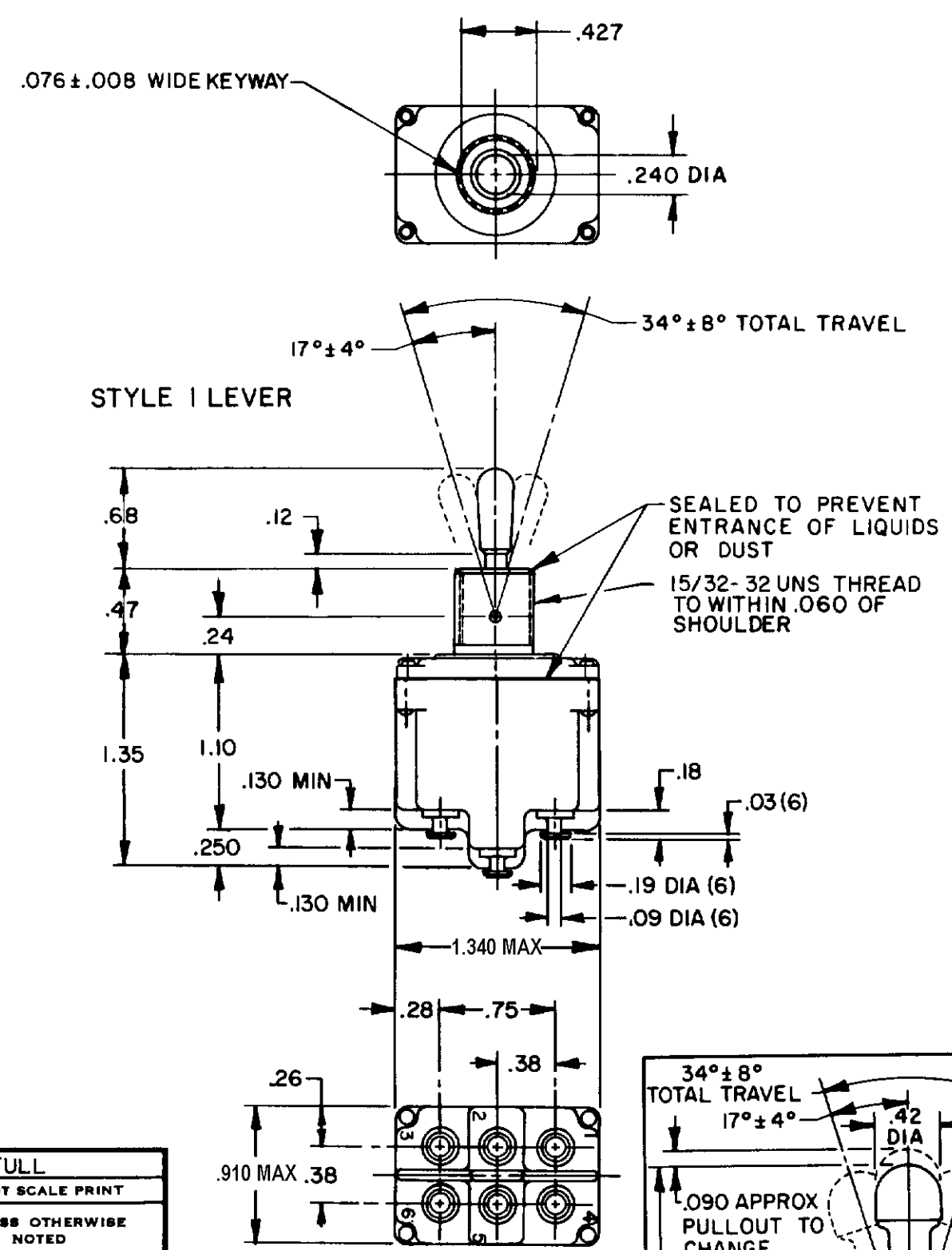
MICRO SWITCH
 FREEPORT ILLINOIS U.S.A.
 A DIVISION OF HONEYWELL
 FED MFG CODE 91929

SWITCH-TOGGLE

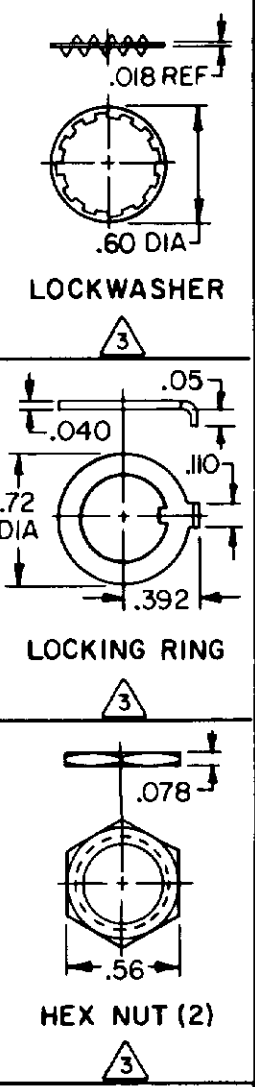
CATALOG LISTING
12TL1-70 SERIES
CHART 1

MILITARY STANDARD NUMBER	CATALOG LISTING	AVAILABLE LOCKING COMBINATIONS FOR CONFIGURATION SEE LETTERING DETAILS	STYLE NUMBER	CURRENT CAPACITY (AMPS)								
				RESISTIVE LOAD DC VOLTS			LOAD AC VOLTS		LAMP LOAD		INDUCTIVE LOAD	
				28	125	250	125	250	28 VDC	125 VAC	28 VDC	125 VAC
MS27735-3	12TL1-70	NONE	1	18	75	5	11	6	5	2	10	8
MS27735-3	12TL1-70	E, L, N,	2									

THIS DRAWING COVERS A PROPRIETARY ITEM AND IS THE PROPERTY OF MICRO SWITCH A DIVISION OF HONEYWELL THIS DRAWING IS NOT TO BE COPIED OR USED WITHOUT THE APPROVAL OF MICRO SWITCH



"A"	"B"	"D"	"E"	"F"
LOCKED IN THREE POSITIONS	LOCKED IN CENTER AND EXTREME POSITION (KEYWAY SIDE)	LOCKED OUT OF CENTER POSITION	LOCKED IN CENTER POSITION	LOCKED IN EXTREME POSITION (OPPOSITE KEYWAY)
"G"	"H"	"J"	"K"	"L"
LOCKED IN EXTREME POSITION (KEYWAY SIDE)	LOCKED OUT OF CENTER AND EXTREME POSITION (KEYWAY SIDE)	LOCKED OUT OF CENTER AND EXTREME POSITION (OPPOSITE KEYWAY)	LOCKED IN CENTER AND EXTREME POSITION (OPPOSITE KEYWAY)	LOCKED OUT OF EXTREME POSITION (KEYWAY SIDE)
"M"	"N"	"P"		
LOCKED OUT OF AND INTO EXTREME POSITION (OPPOSITE KEYWAY)	LOCKED OUT OF EXTREME POSITION (OPPOSITE KEYWAY)	LOCKED OUT OF AND INTO EXTREME POSITION (KEYWAY SIDE)		



CIRCUIT MADE WITH TOGGLE LEVER IN

KEYWAY SIDE	CENTER	OPPOSITE KEYWAY
MOMENTARY POSITION	MAINTAINED POSITION	MOMENTARY POSITION

- NOTES
- SWITCHES ARE CAPABLE OF WITHSTANDING A TEMPERATURE OF 160°F CONTINUOUSLY AT FULL RATED LOAD
 - CIRCUIT DESIGNATION, MICRO SWITCH CATALOG LISTING, DATE CODE, UL RATING AND MS NUMBER IDENTIFIED ON SIDE OF SWITCH
 - FURNISHED UNASSEMBLED
 - FOR TERMINAL COVER SEE MICRO SWITCH CAT. LIST. 5PA8
 - KEYWAY SHOWN ON LEFT SIDE
 - SUFFIX LETTER MUST BE ADDED FOR DESIRED TYPE OF TOGGLE LOCKING. SEE CHART FOR AVAILABLE LOCKING COMBINATIONS

SCALE FULL
 DO NOT SCALE PRINT
 UNLESS OTHERWISE NOTED
 DIMENSIONS ARE IN INCHES
TOLERANCES ARE
 ONE PLACE () .030
 TWO PLACE (.) .015
 THREE PLACE (.00) .005
 ANGLES ± .005

10A 125, 250, 277 VAC
 1/4 HP 125 VAC,
 1/2 HP 250, 277 VAC
 3A 125 VAC "L"
 CE
 L192

