

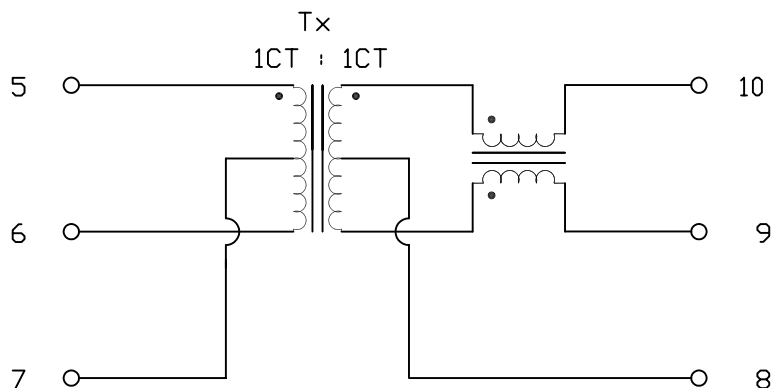
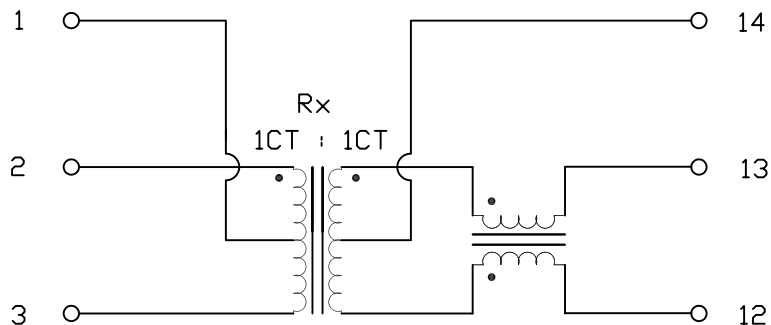
THE INFORMATION CONTAINED HEREIN IS CONSIDERED "PROPRIETARY" TO BEL FUSE INC. AND SHALL NOT BE COPIED, REPRODUCED OR DISCLOSED WITHOUT THE WRITTEN APPROVAL OF BEL FUSE INC.

PRELIMINARY



SCHEMATIC

ELECTRICAL CHARACTERISTICS @ 25°C



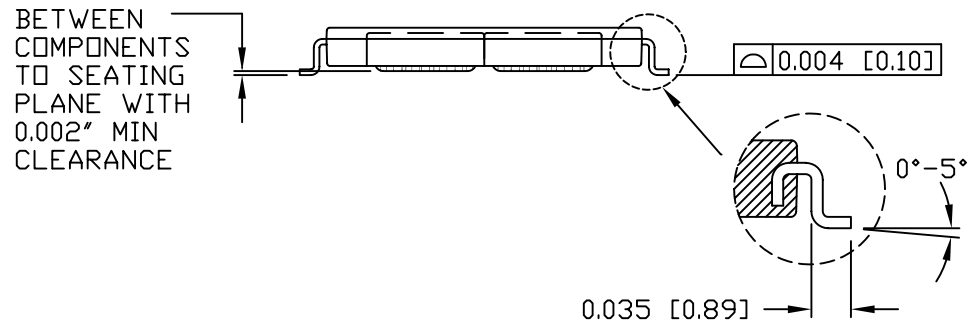
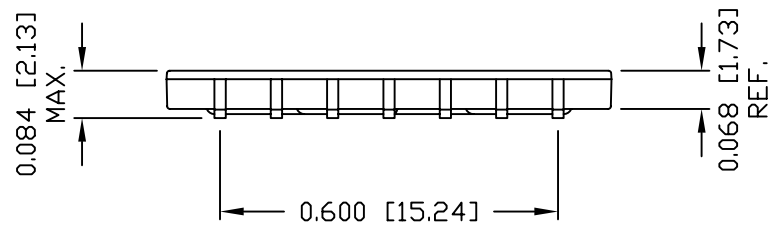
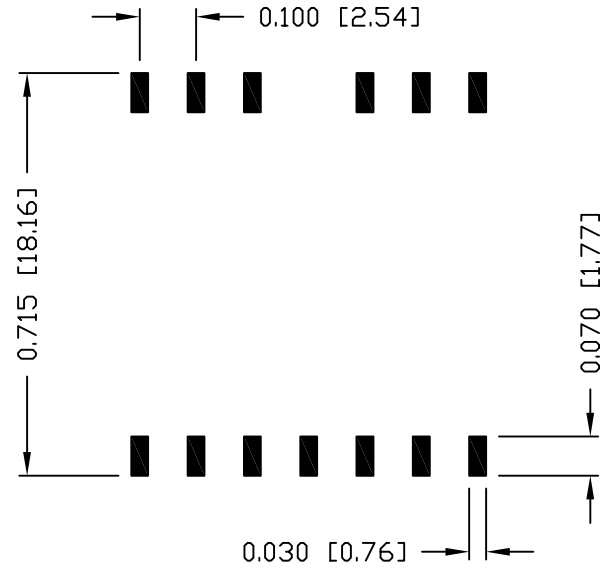
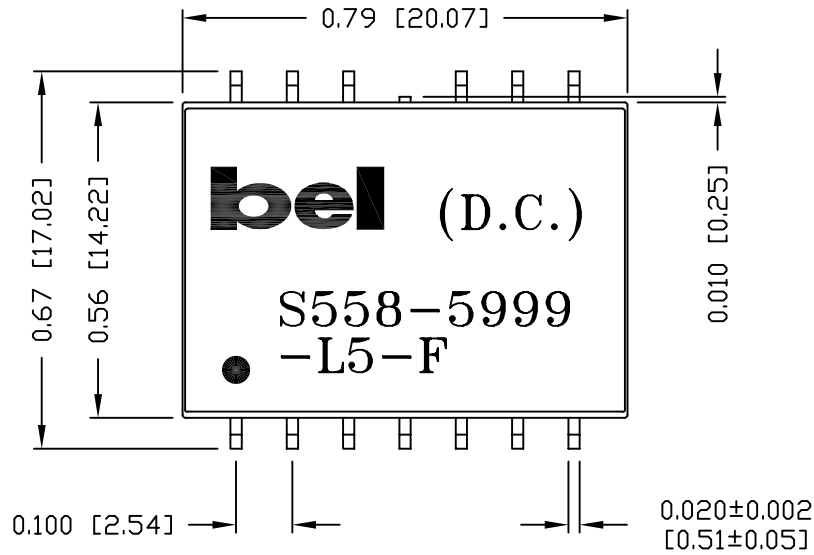
<p>URNS RATIO          (1-2-3):(12-13-14)          (5-6-7):(8-9-10)</p>	<p>1CT : 1CT          1CT : 1CT</p>
<p>HASE          2 TO 13 AND 2 TO 10          PER DOT CONVENTION</p>	
<p>DCL</p>	<p>350μH MIN. AT 100kHz 100mV          WITH 8mA MIN. D.C. BIAS</p>
<p>INSERTION LOSS</p>	<p>0.9dB MAX. @ 100kHz-100MHz</p>
<p>RETURN LOSS          MEASURED UNDER A 100 Ω I/O</p>	<p>18dB MIN. @ 30MHz          13dB MIN. @ 60MHz          11dB MIN. @ 80MHz</p>
<p>COMMON MODE REJECTION</p>	<p>40dB MIN. @ 30MHz          35dB MIN. @ 50MHz          30dB MIN. @ 100MHz          20dB MIN. @ 150MHz</p>
<p>CROSSTALK</p>	<p>50dB MIN. @ 30MHz          45dB MIN. @ 62MHz          40dB MIN. @ 100MHz</p>
<p>HIPOT</p>	<p>PER HAND-WORK-03</p>

ORIGINATED BY HQ	DATE 08-10-05	TITLE 10/100 BT MAGNETICS MODULE S558-5999-L5-F	PART NO. / DRAWING NO. X5585999L5-F		STANDARD DIM. TOL. IN INCH		[ ] METRIC DIM. AS REFERENCE		bel COMPONENTS FOR A CONNECTED PLANET
			FILE NAME X5585999L5FPA.DWG		.X .XX .XXX		UNIT : INCH [mm] SCALE : N/A	REV. : PA SIZE : A4 PAGE : 2	
DRAWN BY DQ Chen	DATE 08-10-05								

THE INFORMATION CONTAINED HEREIN IS CONSIDERED "PROPRIETARY" TO BEL FUSE INC. AND SHALL NOT BE COPIED, REPRODUCED OR DISCLOSED WITHOUT THE WRITTEN APPROVAL OF BEL FUSE INC.

PRELIMINARY

SUGGESTED PCB PAD LAYOUT



NOTES:

- STANDARD MARKING REFER TO DOC. HAND-WORK-04.
- PACKAGE CODE: "QJS006".

ORIGINATED BY	DATE	TITLE	PART NO. / DRAWING NO.	STANDARD DIM. TOL. IN INCH	[ ] METRIC DIM. AS REFERENCE	 COMPONENTS FOR A CONNECTED PLANET
HO	08-10-05	MECHANICAL DRAWING S558-5999-L5-F	X5585999L5-F	.X	UNIT : INCH [mm]	
DRAWN BY	DATE		FILE NAME	.XX	SCALE : N/A	
DQ Chen	08-10-05	X5585999L5FPA.DWG	.XXX	±0.005	REV. : PA SIZE : A4 PAGE : 3	