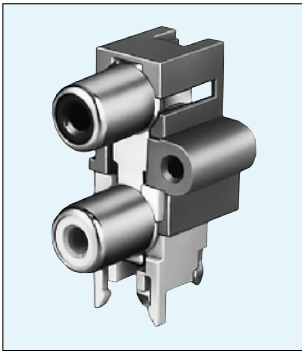


Horizontal Type Dual Pin Jacks Vertical Array

Unit: mm

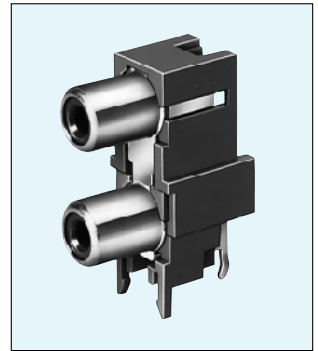
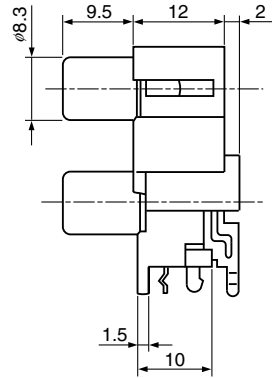
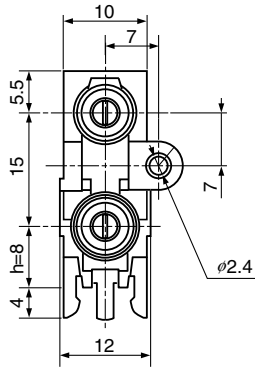
JPJ9811 / JPJ9511 Series

h = 8 mm



JPJ9811

With Installation Hole

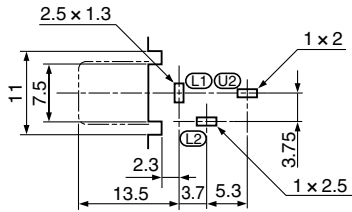


JPJ9511

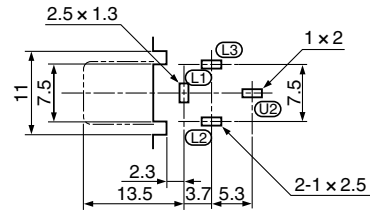
Without Installation Hole

Hole Layout (Bottom View)

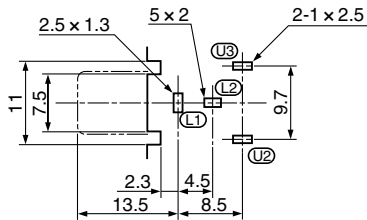
**JPJ9811
JPJ9511**



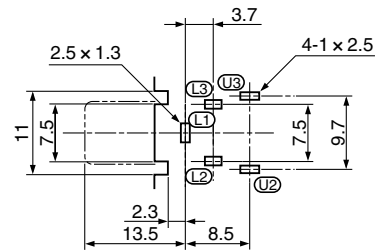
**JPJ9812
JPJ9512**



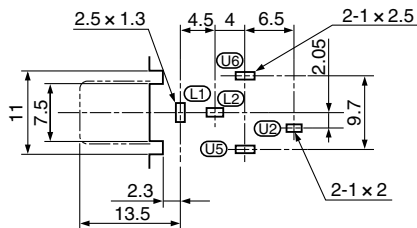
**JPJ9821
JPJ9521**



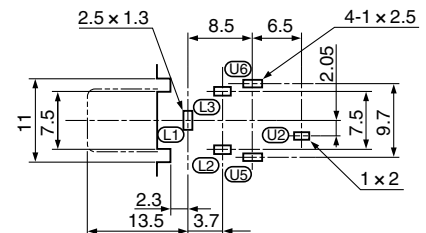
**JPJ9822
JPJ9522**



**JPJ9841
JPJ9541**



**JPJ9842
JPJ9542**



Model No. JPJ -01- 0

Installation Hole	9811	9812	9821	9822	9841	9842
With	9811	9812	9821	9822	9841	9842
Without	9511	9512	9521	9522	9541	9542
Schematic						

Upper Pinjack (Housing) Color U	Lower Pinjack (Housing) Color L
1 Black	1 Black
2 Red	2 Red
3 White	3 White
4 Yellow	4 Yellow
5 Blue	5 Blue

