



RC1-08-01-S-D-03.00-D

(2,54mm) .100"  
RC1 SERIES

# IP68 SEALED MINI MATE® SYSTEM

## SPECIFICATIONS

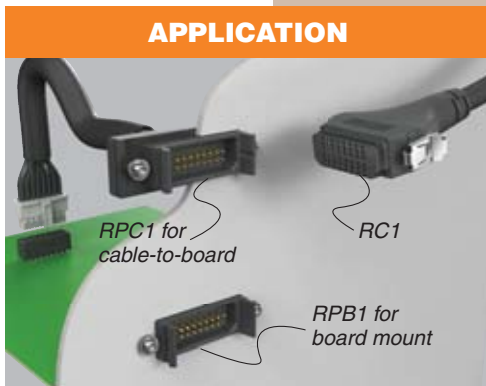
For complete specifications see [www.samtec.com?RC1](http://www.samtec.com?RC1)

- Insulator Material:** Black Nylon Plastic
- Wire:** 24 AWG
- Seal:** Rubber
- Contact:** Phosphor Bronze
- Latch:** Phosphor Bronze

Mates with:  
RPB1, RPC1



## APPLICATION



Rubber seal meets IP68 for dust & water

Audible click positive latching

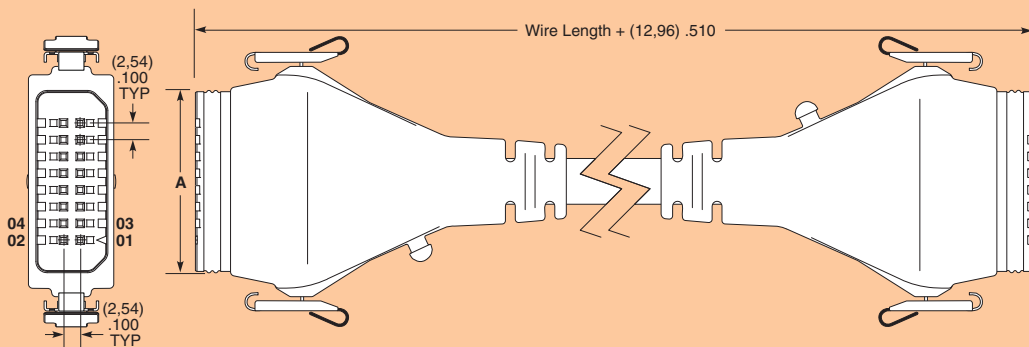
## ALSO AVAILABLE

### DUST CAPS

POSITIONS	RC1
-08	DCA-RC1-08-01
-11	DCA-RC1-11-01
-15	DCA-RC1-15-01

RC1	NO. OF POSITIONS	01	PLATING	ROW	WIRE LENGTH	END OPTION
	-08, -11, -15 (Per Row)		-S = 30µ" (0,76µm) Gold on contact, Matte tin on tail	-D = Double Row	-02.00 = (2m) 78.74" -03.00 = (3m) 118.11" -05.00 = (5m) 196.85"	-D = Double End -BC = Blunt Cut

NO. OF POSITIONS	A
-08	(27,87) 1.097
-11	(35,71) 1.406
-15	(43,87) 1.727



Due to technical progress, all designs, specifications and components are subject to change without notice.

[WWW.SAMTEC.COM](http://WWW.SAMTEC.COM)