

SPECIFICATIONS

Mechanical

Unmating Force with cable side: 0.2 kgf min.
Durability: 10000 Cycles

Electrical

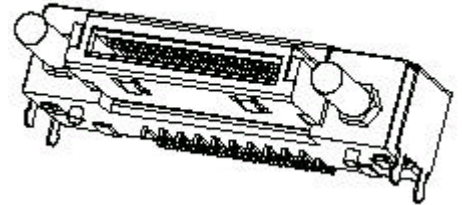
Current Rating: 0.5A DC
Contact Resistance: 110mΩ max. (initial) , 120mΩ max. (after)
Dielectrical Withstanding Voltage: 250V
Insulation Resistance: 100 MΩ .

Physical

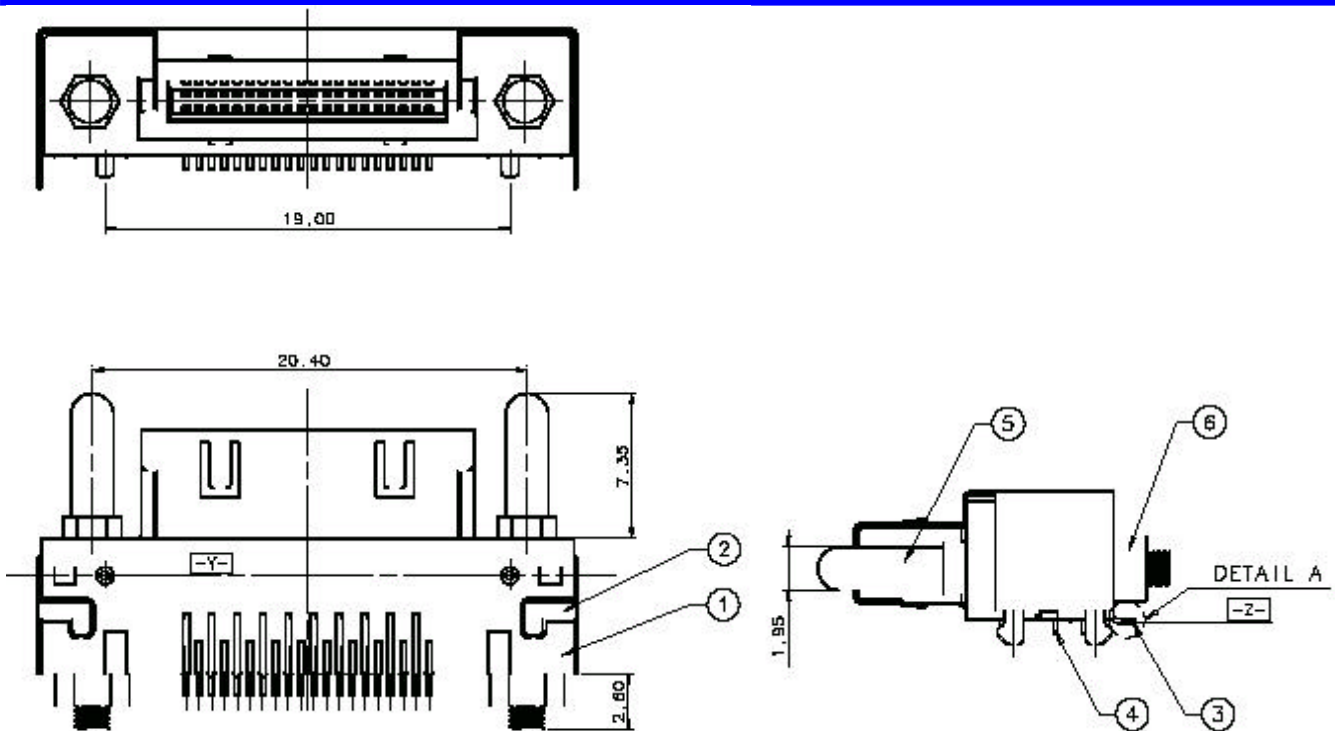
Housing: LCP, UL 94V-0 rated in Black Color
Contact: Copper alloy
Plating: 50u" min. Nickel Under Plating
30u" min Gold Plating on Contact Area
Shell: Stainless steel
Plating: 10u" min. Nickel Under Plating
50u" min Tin Plating
Operating Temperature: -55 °C to +85 °C

Docking Connector

QL11203-C638-7F
0.60mm Pitch
Docking conn
40Pos.



DRAWING



ORDERING INFORMATION

- 5. PRODUCT NO. : QL 1 1 2 0 3 - C 6 * * - **
- QL-DOCKING CONN.
- 1=RIGHT ANGLE
- 1=RECEPTACLE CONN.
- 20=20POS./ROW
- (CONTACT PLATING)
- 3=30u" GOLD
- C=0.6mm PITCH
- 6=PARALLEL 2 ROWS
- 36/38/40-EXTENSION CODE
- TR =TAPE&REEL WITH LEAD
- 7F =TAPE&REEL WITH LEAD FREE