

P-Channel Enhancement Mode MOSFET

MTP5614N6

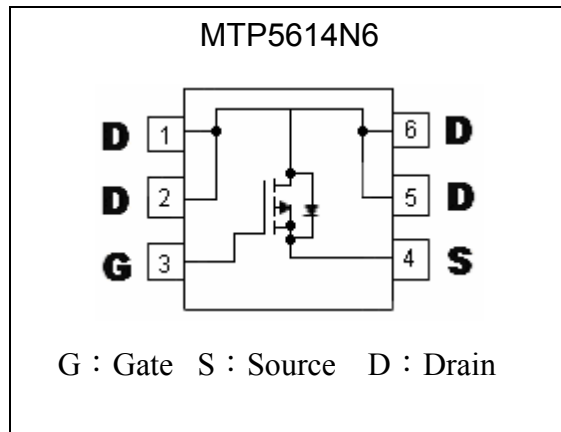
BV_{DSS}	-60V
I_D	-3.5A
$R_{DS(on)}@V_{GS}=-10V, I_D=-3A$	72m Ω (typ.)
$R_{DS(on)}@V_{GS}=-4.5V, I_D=-2.7A$	98m Ω (typ.)

Description

The MTP5614N6 is a P-channel enhancement-mode MOSFET, providing the designer with the best combination of fast switching, ruggedized device design, low on-resistance and cost effectiveness. The SOT-26 package is universally preferred for all commercial-industrial surface mount applications.

Features

- Simple drive requirement
- Low on-resistance
- Small package outline
- Pb-free lead plating package

Equivalent Circuit

Absolute Maximum Ratings (Ta=25°C)

Parameter	Symbol	Limits	Unit
Drain-Source Voltage	V_{DS}	-60	V
Gate-Source Voltage	V_{GS}	± 20	
Continuous Drain Current @ $V_{GS}=-10V, T_A=25^\circ C$ (Note 1)	I_D	-3.5	A
Continuous Drain Current @ $V_{GS}=-10V, T_A=100^\circ C$ (Note 1)	I_D	-2.2	
Pulsed Drain Current (Note 2, 3)	I_{DM}	-20	
Total Power Dissipation @ $T_A=25^\circ C$	P_d	1.6	W
Linear Derating Factor		0.013	W / °C
Operating Junction and Storage Temperature Range	$T_j ; T_{stg}$	-55~+150	°C
Thermal Resistance, Junction-to-Ambient (Note 1)	$R_{th,ja}$	78	°C/W

Note : 1.Surface mounted on 1 in² copper pad of FR-4 board. 156°C/W when mounted on minimum copper pad.

2.Pulse width limited by maximum junction temperature.

3.Pulse Width $\leq 300\mu s$, Duty Cycle $\leq 2\%$



Electrical Characteristics (Tj=25°C, unless otherwise noted)

Symbol	Min.	Typ.	Max.	Unit	Test Conditions
Static					
BV _{DSS}	-60	-	-	V	V _{GS} =0V, I _D =-250μA
ΔBV _{DSS} /ΔT _j	-	0.4	-	V/°C	Reference to 25°C, I _D =250μA
V _{GS(th)}	-1	-1.8	-2.5	V	V _{DS} =V _{GS} , I _D =-250μA
I _{GSS}	-	-	±100	nA	V _{GS} =±20V, V _{DS} =0V
I _{DSS}	-	-	1	μA	V _{DS} =-48V, V _{GS} =0V
	-	-	25		V _{DS} =-48V, V _{GS} =0V, T _j =70°C
*R _{DS(ON)}	-	72	95	mΩ	V _{GS} =-10V, I _D =-3A
	-	98	130		V _{GS} =-4.5V, I _D =-2.7A
*G _{FS}	-	5.8	-	S	V _{DS} =-5V, I _D =-3A
Dynamic					
C _{iss}	-	929	-	pF	V _{DS} =-30V, V _{GS} =0V, f=1MHz
C _{oss}	-	48	-		
C _{rss}	-	33	-		
t _{d(ON)}	-	10	-	ns	V _{DS} =-30V, I _D =-1A, V _{GS} =-10V, R _G =6Ω
t _r	-	22	-		
t _{d(OFF)}	-	27	-		
t _f	-	14	-		
Q _g	-	14	-	nC	V _{DS} =-30V, I _D =-3.5A, V _{GS} =-10V
Q _{gs}	-	3	-		
Q _{gd}	-	3.4	-		

*Pulse Test : Pulse Width ≤300μs, Duty Cycle≤2%

Source Drain Diode

Symbol	Min.	Typ.	Max.	Unit	Test Conditions
*I _S	-	-	-3.5	A	I _S =-2A, V _{GS} =0V
*I _{SM}	-	-	-20		
*V _{SD}	-	-0.78	-1.2	V	I _S =-2A, V _{GS} =0V, dI/dt=100A/μs
*T _{rr}	-	12	-	ns	
Q _{rr}	-	7	-	nC	

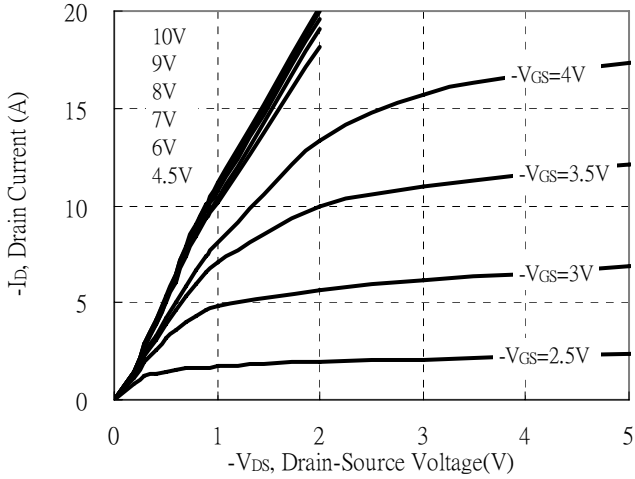
*Pulse Test : Pulse Width ≤300μs, Duty Cycle≤2%

Ordering Information

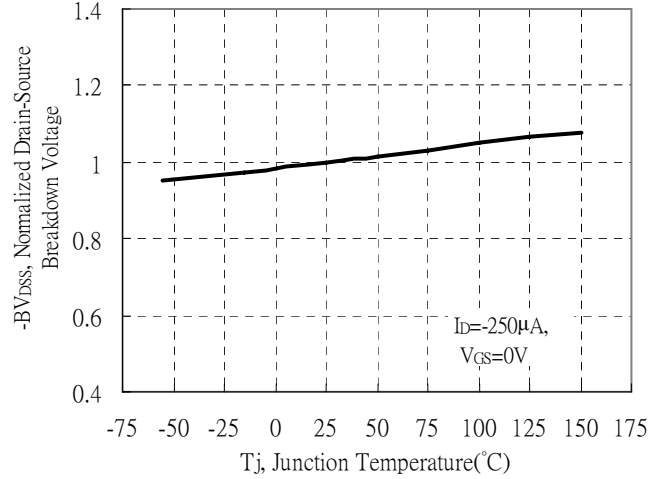
Device	Package	Shipping
MTP5614N6-0-T1-G	SOT-26 (Pb-free lead plating and halogen-free package)	3000 pcs / Tape & Reel

Typical Characteristics

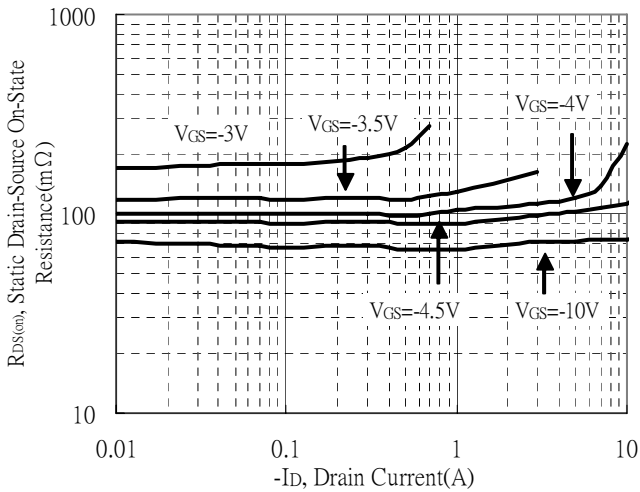
Typical Output Characteristics



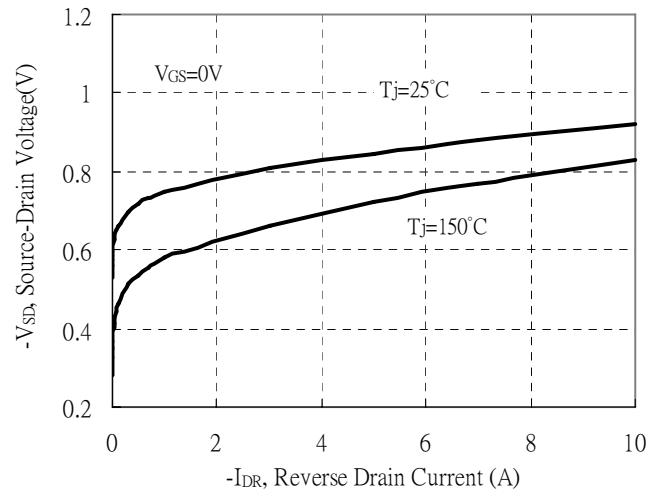
Brekdown Voltage vs Ambient Temperature



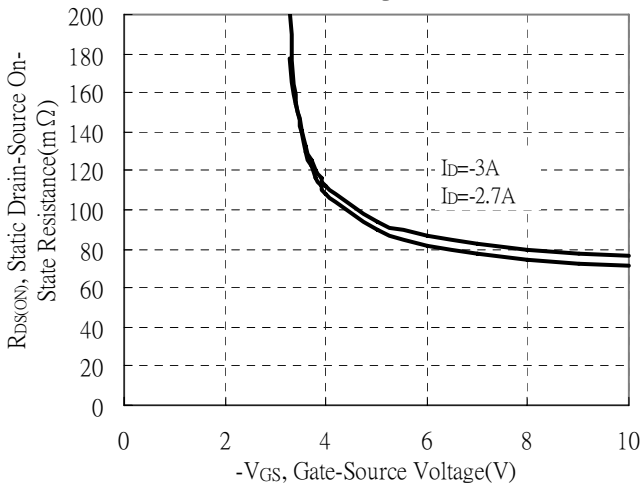
Static Drain-Source On-State resistance vs Drain Current



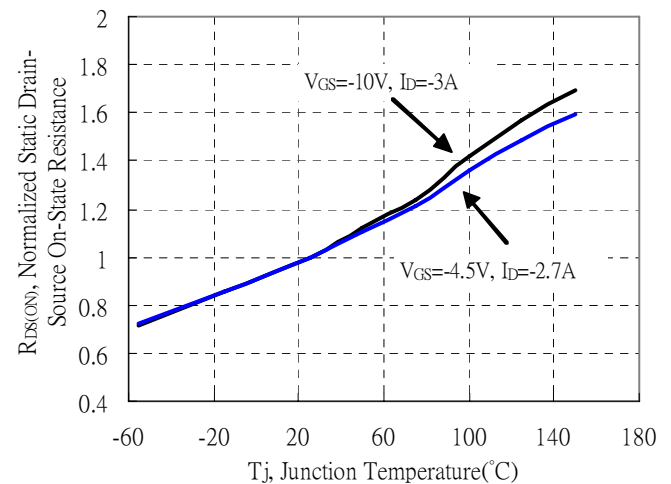
Reverse Drain Current vs Source-Drain Voltage



Static Drain-Source On-State Resistance vs Gate-Source Voltage

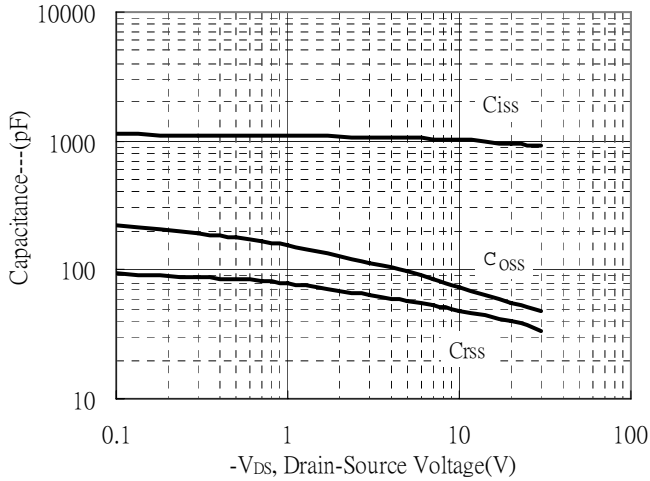


Drain-Source On-State Resistance vs Junction Temperature

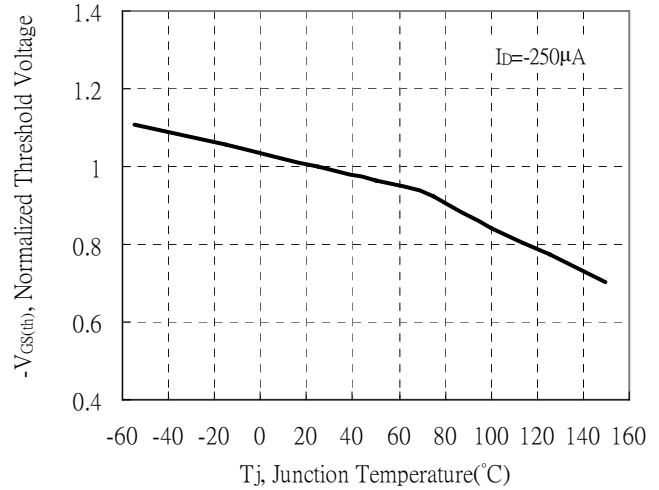


Typical Characteristics (Cont.)

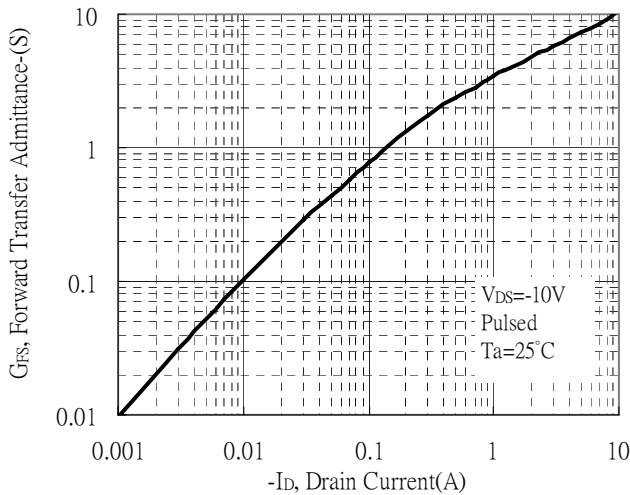
Capacitance vs Drain-to-Source Voltage



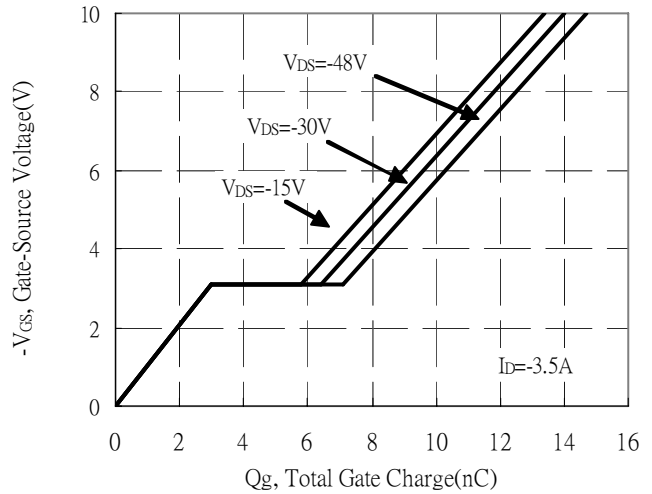
Threshold Voltage vs Junction Temperature



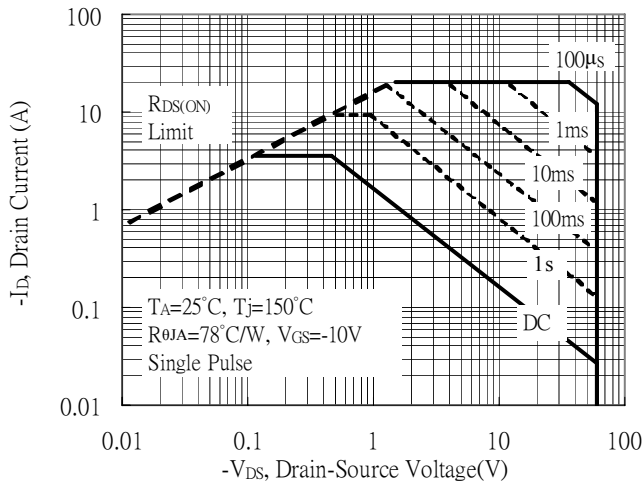
Forward Transfer Admittance vs Drain Current



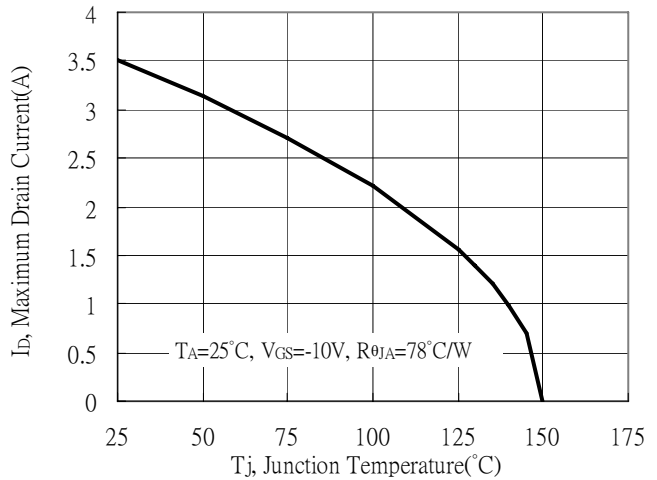
Gate Charge Characteristics



Maximum Safe Operating Area

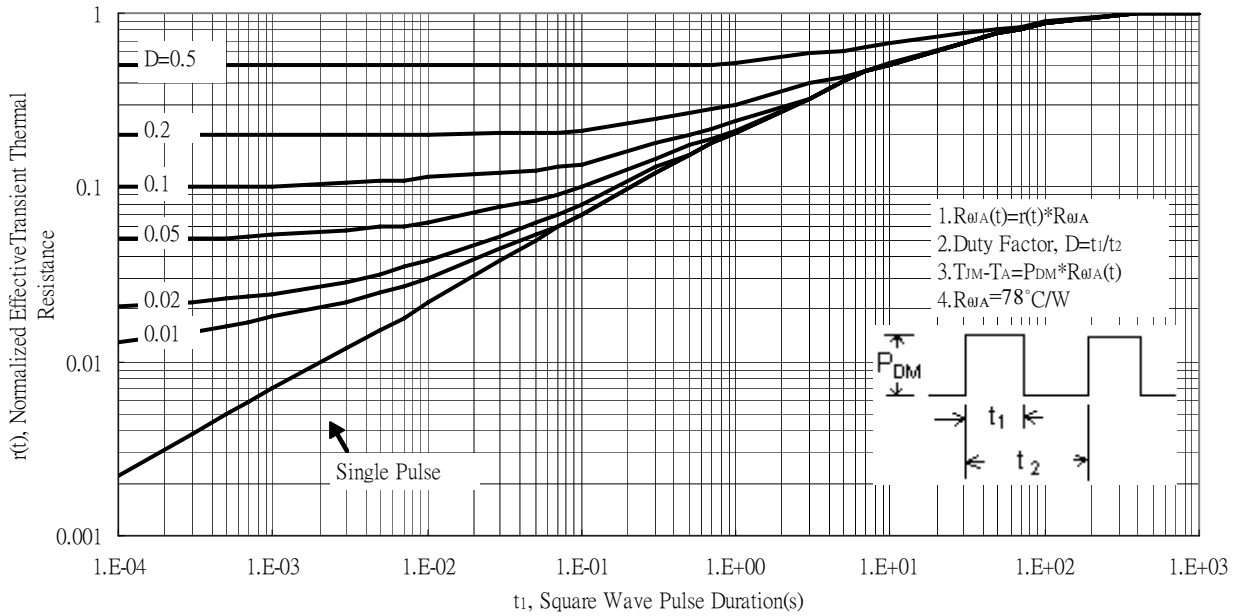


Maximum Drain Current vs Junction Temperature

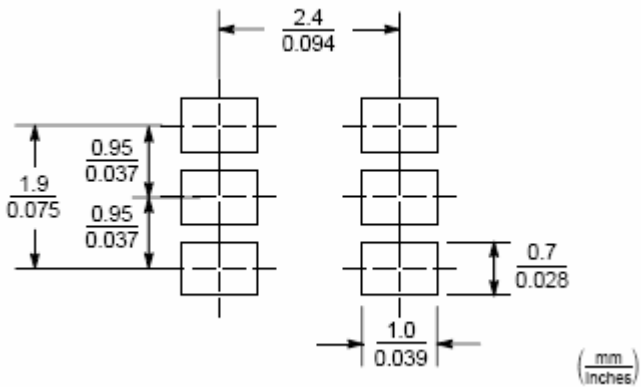


Typical Characteristics (Cont.)

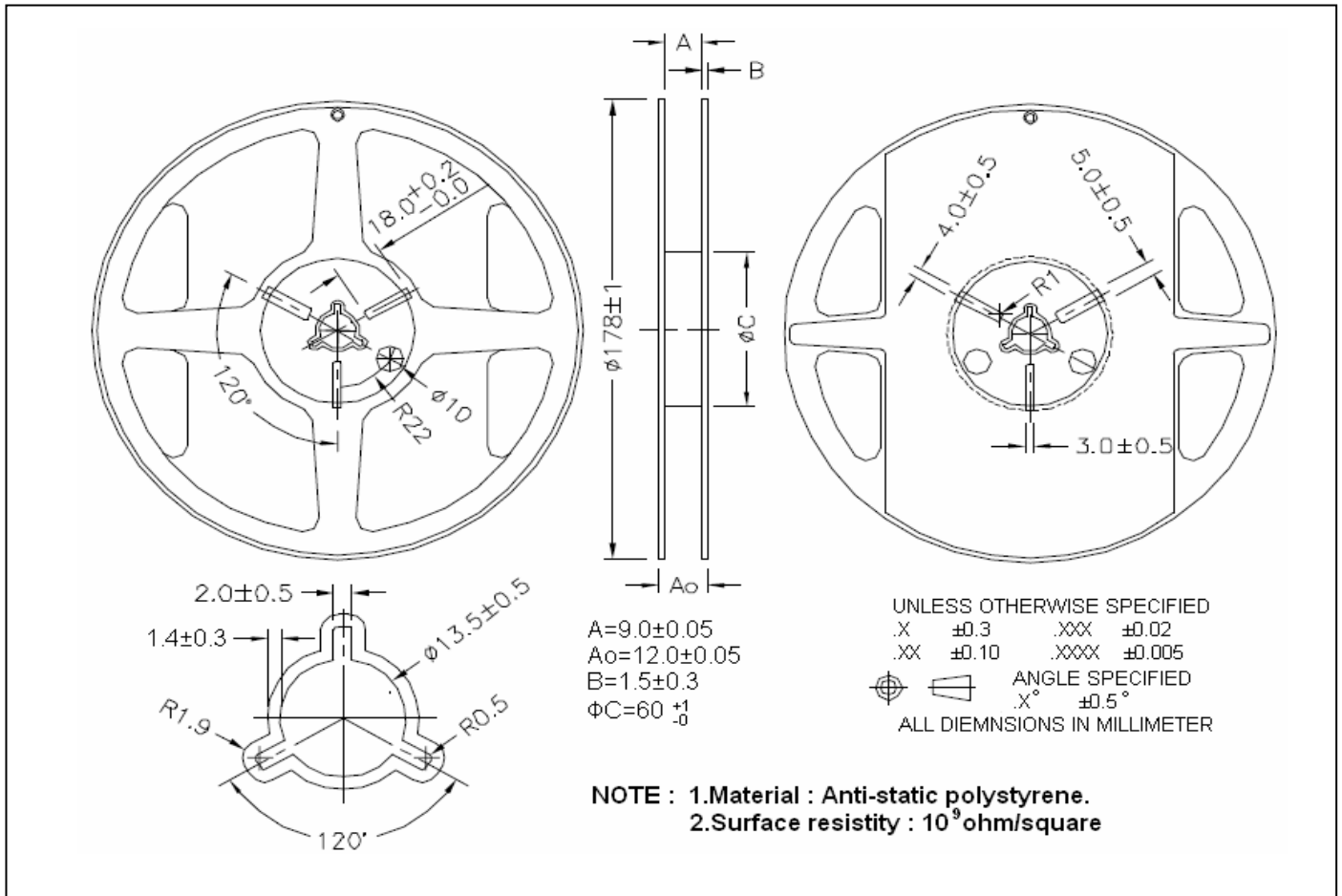
Transient Thermal Response Curves



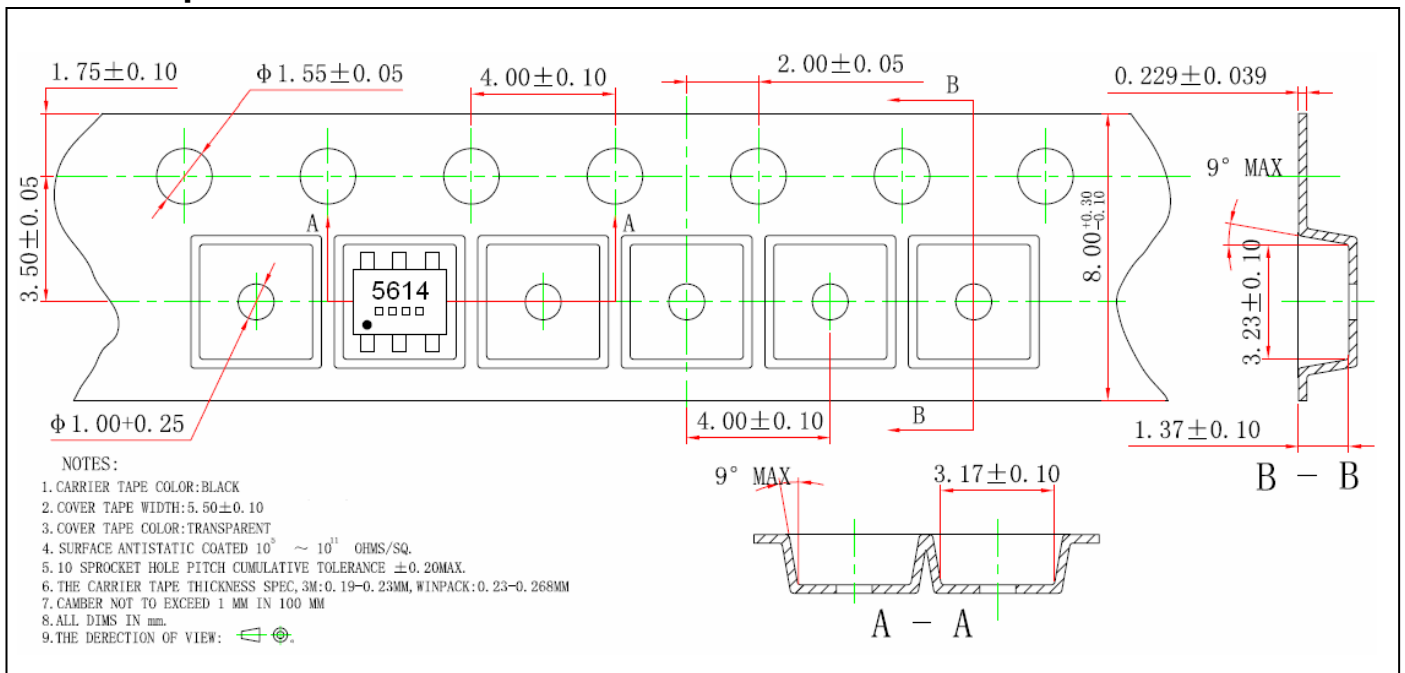
Recommended Soldering Footprint



Reel Dimension



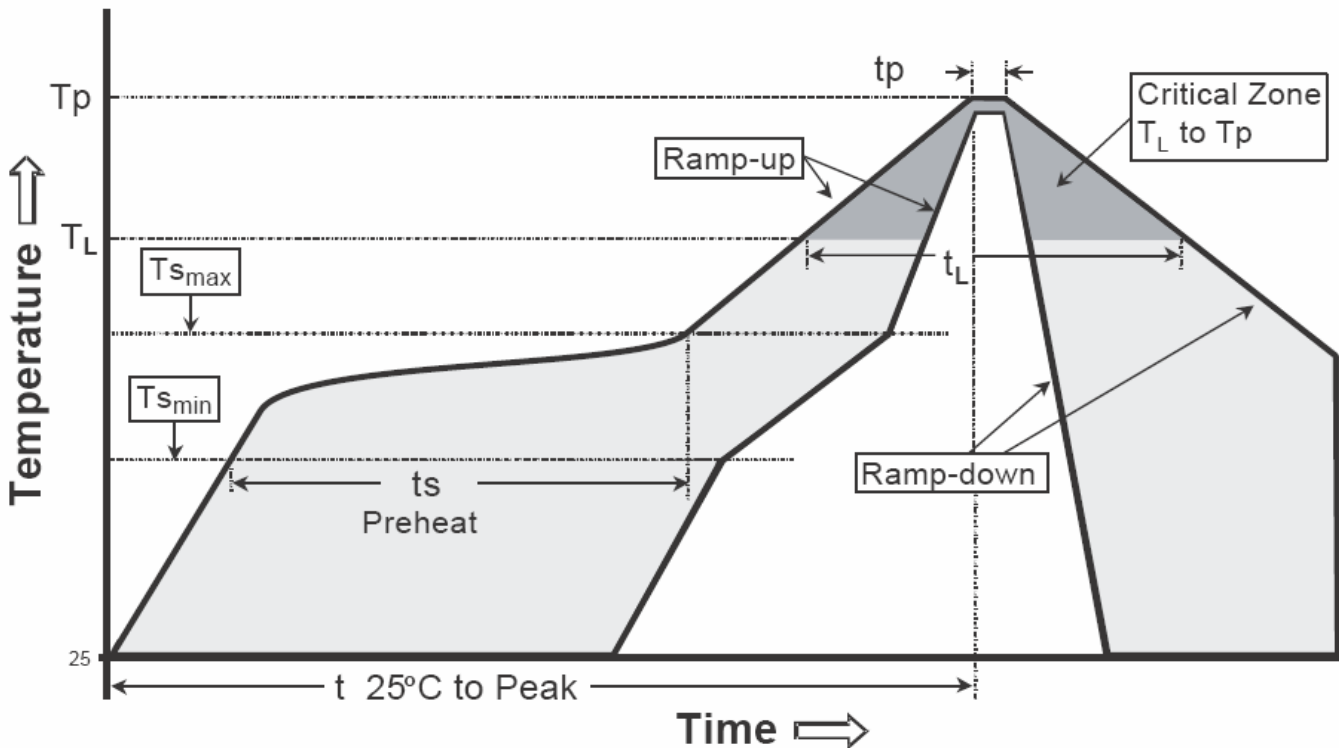
Carrier Tape Dimension



Recommended wave soldering condition

Product	Peak Temperature	Soldering Time
Pb-free devices	260 +0/-5 °C	5 +1/-1 seconds

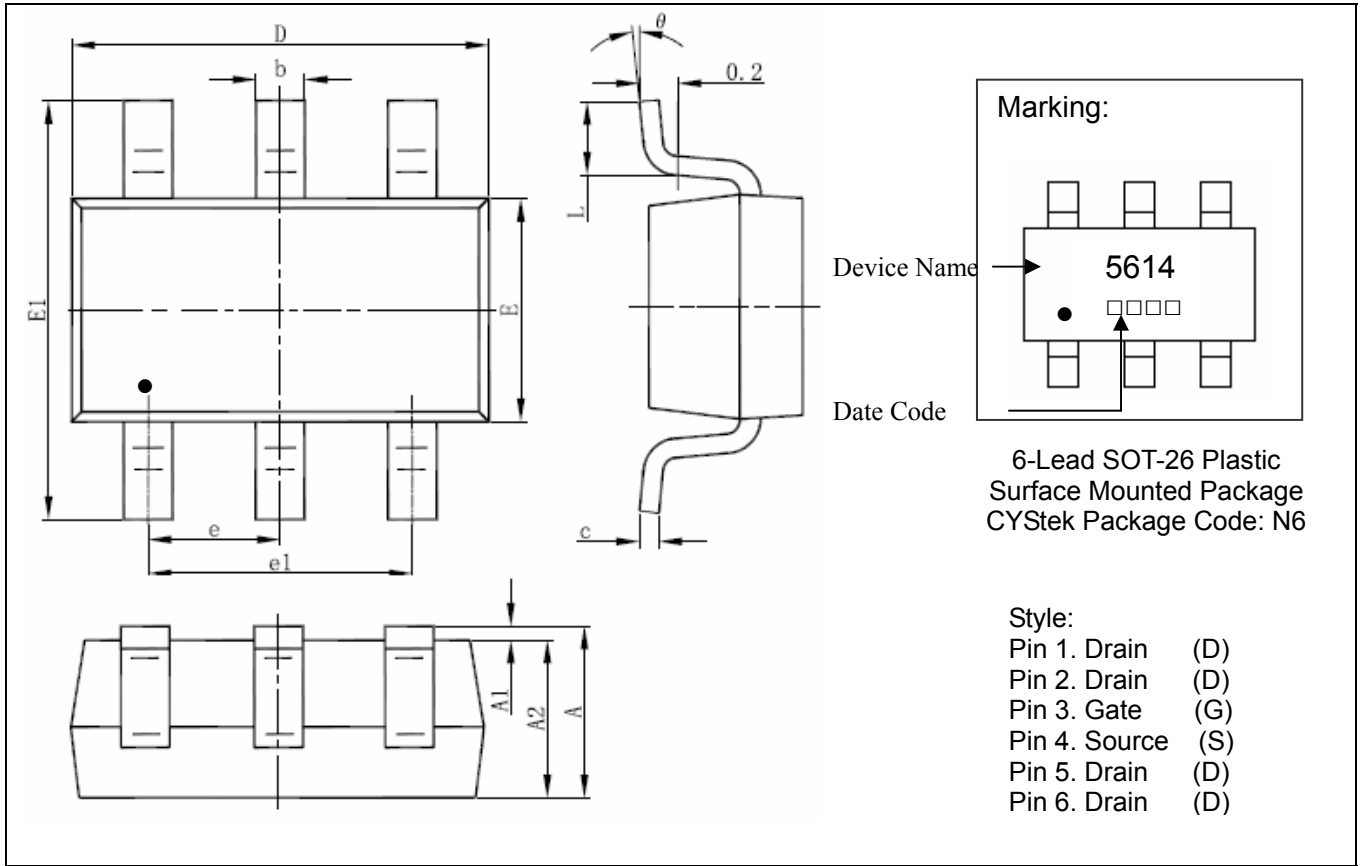
Recommended temperature profile for IR reflow



Profile feature	Sn-Pb eutectic Assembly	Pb-free Assembly
Average ramp-up rate (Tsmmax to Tp)	3°C/second max.	3°C/second max.
Preheat		
-Temperature Min(Ts min)	100°C	150°C
-Temperature Max(Ts max)	150°C	200°C
-Time(ts min to ts max)	60-120 seconds	60-180 seconds
Time maintained above:		
-Temperature (Tl)	183°C	217°C
- Time (tl)	60-150 seconds	60-150 seconds
Peak Temperature(Tp)	240 +0/-5 °C	260 +0/-5 °C
Time within 5°C of actual peak temperature(tp)	10-30 seconds	20-40 seconds
Ramp down rate	6°C/second max.	6°C/second max.
Time 25 °C to peak temperature	6 minutes max.	8 minutes max.

Note : All temperatures refer to topside of the package, measured on the package body surface.

SOT-26 Dimension



DIM	Millimeters		Inches		DIM	Millimeters		Inches	
	Min.	Max.	Min.	Max.		Min.	Max.	Min.	Max.
A	1.050	1.250	0.041	0.049	E	1.500	1.700	0.059	0.067
A1	0.000	0.100	0.000	0.004	E1	2.650	2.950	0.104	0.116
A2	1.050	1.150	0.041	0.045	e	0.950 (BSC)		0.037 (BSC)	
b	0.300	0.500	0.012	0.020	e1	1.800	2.000	0.071	0.079
c	0.100	0.200	0.004	0.008	L	0.300	0.600	0.012	0.024
D	2.820	3.020	0.111	0.119	θ	0°	8°	0°	8°

Notes : 1. Controlling dimension : millimeters.
 2. Maximum lead thickness includes lead finish thickness, and minimum lead thickness is the minimum thickness of base material.
 3. If there is any question with packing specification or packing method, please contact your local CYStek sales office.

Material :

- Lead : Pure tin plated.
- Mold Compound : Epoxy resin family, flammability solid burning class:UL94V-0.

Important Notice:

- All rights are reserved. Reproduction in whole or in part is prohibited without the prior written approval of CYStek.
- CYStek reserves the right to make changes to its products without notice.
- CYStek **semiconductor products are not warranted to be suitable for use in Life-Support Applications, or systems.**
- CYStek assumes no liability for any consequence of customer product design, infringement of patents, or application assistance.