








-  Compliant with IEEE802.3 standard including 350uH OCL with 8mA DC bias
-  Models with integrated transmit and receiver channels in low profile SMT package
-  Designed to withstand IR-Reflow with peak temperature per IPC/JEDEC J-STD-020C
-  Operating temperature 0°C to +70°C
-  RoHS compliant versions are available



ELECTRICAL SPECIFICATION @ 25°C

Part Number	RoHS Part Number	Turns Ratio		Insertion Loss (dB Max)	Return Loss (dB Min)					CMRR (dB Min)	Crosstalk (dB Min)	Hipot (Vrms)
		Tx	Rx		.1-100MHz	1-30MHz	40MHz	50MHz	60-80MHz			
824-M0014 ¹	824-M0014R	1CT:1	1CT:1CT	1.0	16.0	14.0	13.0	12.0	33.0	38.0	1500	
824-M0023	824-M0023R	1CT:1	1CT:1CT	1.0	16.0	14.0	13.0	12.0	33.0	38.0	1500	
824-M0024	824-M0024R	1CT:1	1CT:1CT	1.0	16.0	14.0	13.0	12.0	33.0	38.0	1500	
824-M0070	824-M0070R	1CT:1CT	1CT:1CT	1.0	18.0	15.5	13.5	12.0	35.0	40.0	1500	
824-M0113 ²	824-M0113R	1CT:1CT	1CT:1CT	1.1	18.0	15.5	13.5	12.0	33.0	38.0	1500	
824-M0125 ¹	824-M0125R	1CT:1	1CT:1CT	1.5	18.0	13.5	11.5	10.0	33.0	40.0	1500	
824-M0142 ^{1,2}	824-M0142R	1CT:1CT	1CT:1CT	1.5	18.0	13.5	11.5	10.0	33.0	40.0	1500	
824-M0157 ³	824-M0157R	1CT:1	1CT:1CT	1.0	16.0	14.0	13.0	12.0	33.0	38.0	1500	
824-M0158 ⁴	824-M0158R	1CT:1	1CT:1CT	1.0	16.0	14.0	13.0	12.0	33.0	38.0	1500	
824-M0190	824-M0190R	1CT:1	1CT:1CT	1.0	16.0	14.0	13.0	12.0	35.0	35.0	1500	
824-M0192	824-M0192R	1CT:1CT	1CT:1CT	1.0	18.0	15.5	13.5	12.0	35.0	35.0	1500	
824-M0194 ^{1,4}	824-M0194R	1CT:1	1CT:1CT	1.5	18.0	13.5	11.5	10.0	33.0	40.0	1500	
824-M0218	824-M0218R	1CT:1	1CT:1CT	1.0	16.0	15.5	13.5	12.0	33.0	38.0	1500	
824-M0219	824-M0219R	1CT:1	1CT:1CT	1.0	16.0	15.5	13.5	12.0	33.0	38.0	1500	
824-M0223	824-M0223R	1CT:1CT	1CT:1CT	1.0	18.0	17.0	14.5	12.0	33.0	30.0	1500	
824-M0234 ⁴	824-M0234R	1CT:1	1CT:1CT	1.0	16.0	15.5	13.5	12.0	33.0	38.0	1500	
824-M0235	824-M0235R	1CT:1CT	1CT:1CT	1.15	16.0	14.0	13.5	12.0	35.0	35.0	1500	
824-M0237 ³	824-M0237R	1CT:1CT	1CT:1CT	1.0	18.0	15.5	13.5	12.0	35.0	38.0	1500	
824-M0241	824-M0241R	1CT:1CT	1CT:1CT	1.0	18.0	15.5	13.5	12.0	35.0	33.0	1500	
824-00274	824-M0274R	1CT:1CT	1CT:1CT	1.0	16.0	12.0	12.0	10.5	50.0	38.0	1500	

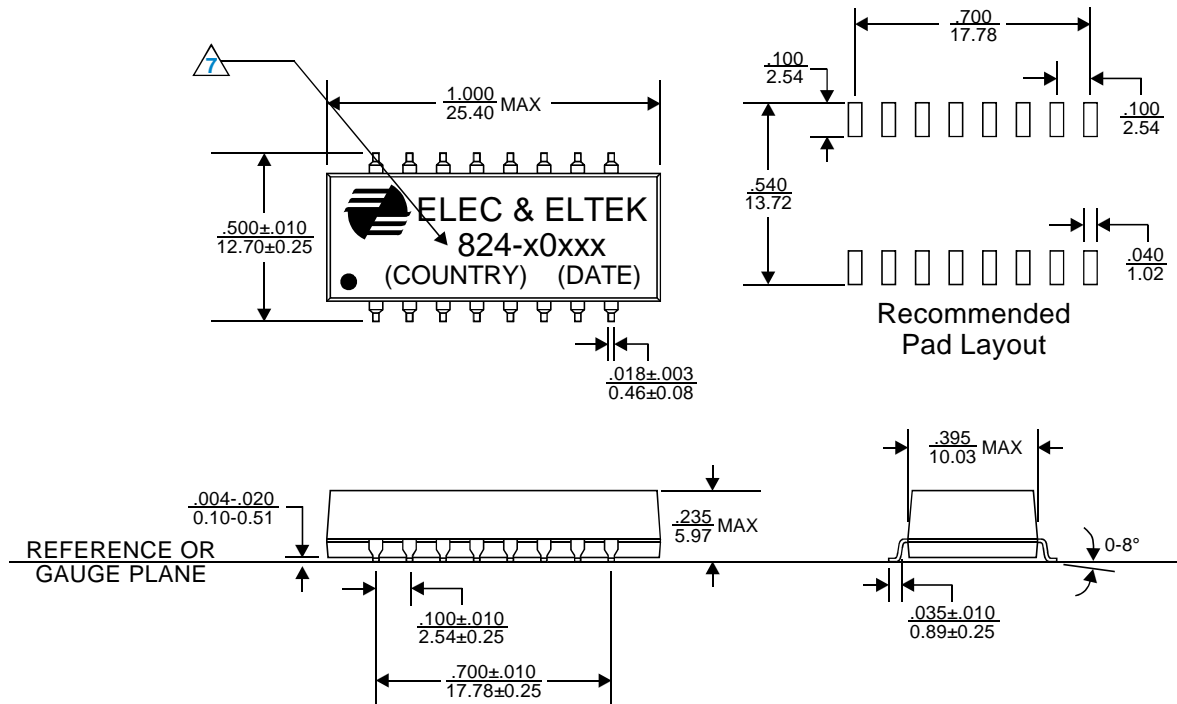
Notes:

1. Operating temperature -40°C to +85°C.
2. Suitable for Auto MDI/MDIX applications.
3. For 824-M0157 and 824-M0237, Pin 4 & 13 are removed.
4. For 824-M0158, 824-M0194 and 824-M0234, Pin 5 & 12 are removed.



MECHANICAL DIMENSIONS

Package: SM016A



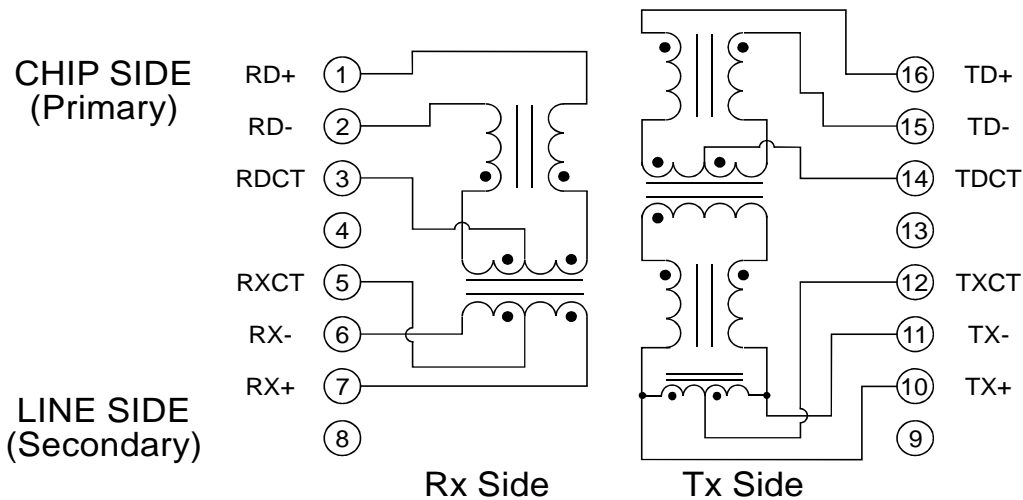
Notes:

- All dimensions are specified in $\frac{\text{inches}}{\text{mm}}$ with higher precedence in inches.
- Unless otherwise specified, all tolerances are $\pm \frac{.010}{0.25}$.
- For available RoHS part number, the part will be marked with "824-M0xxxR", instead of "824-x0xxx".

Weight (in gram)	: 2.7 typ.
Tape & Reel	: 350 / reel

SCHEMATICS

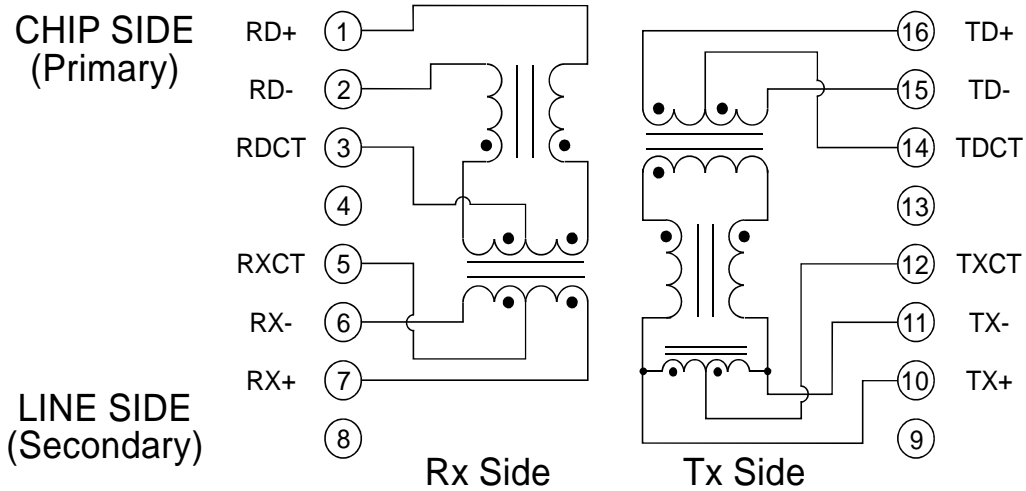
824-M0014





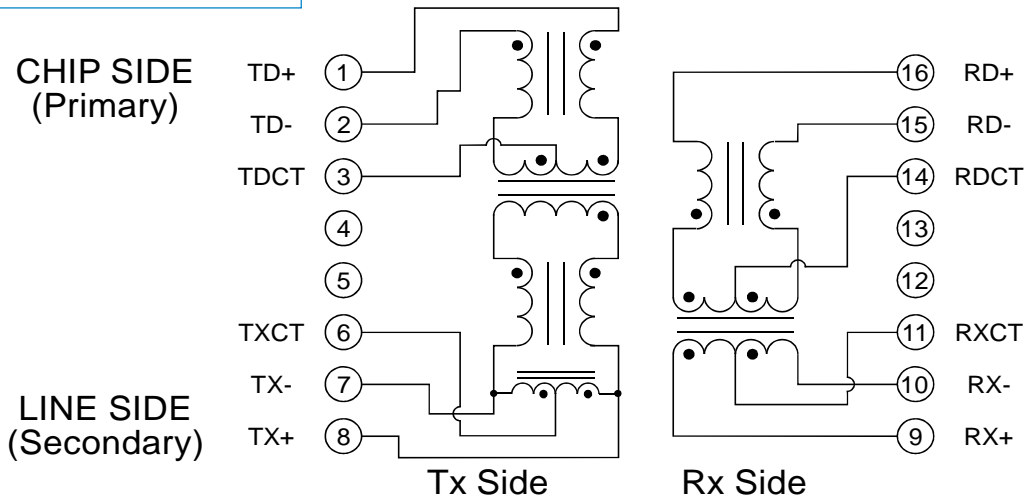
SCHEMATICS

824-M0023/ 824-M0125/ 824-M0157



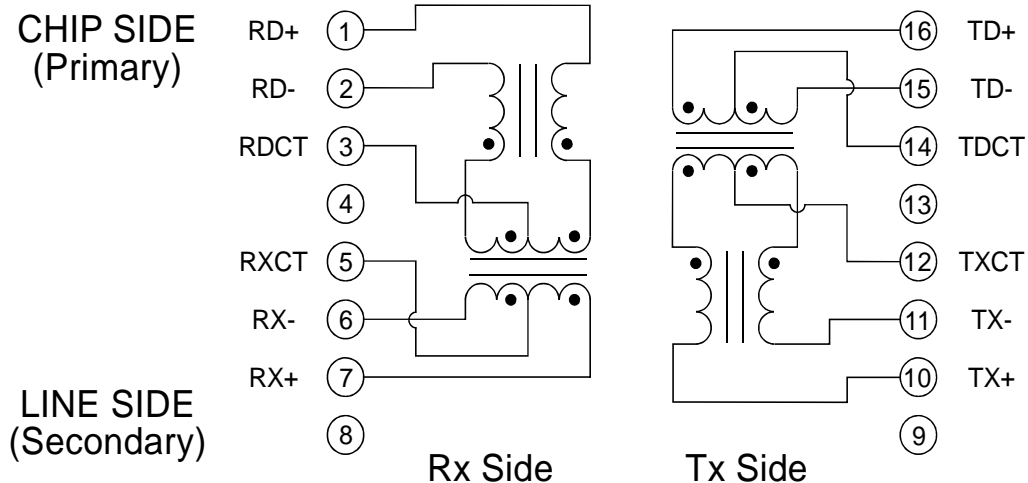
SCHEMATICS

824-M0024/ 824-M0158/ 824-M0194



SCHEMATICS

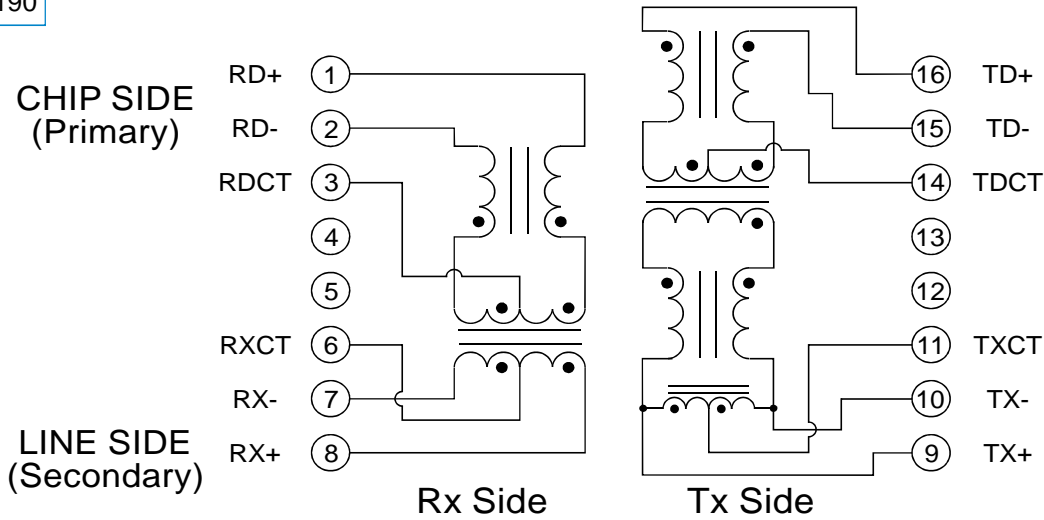
824-M0070/ 824-M0237





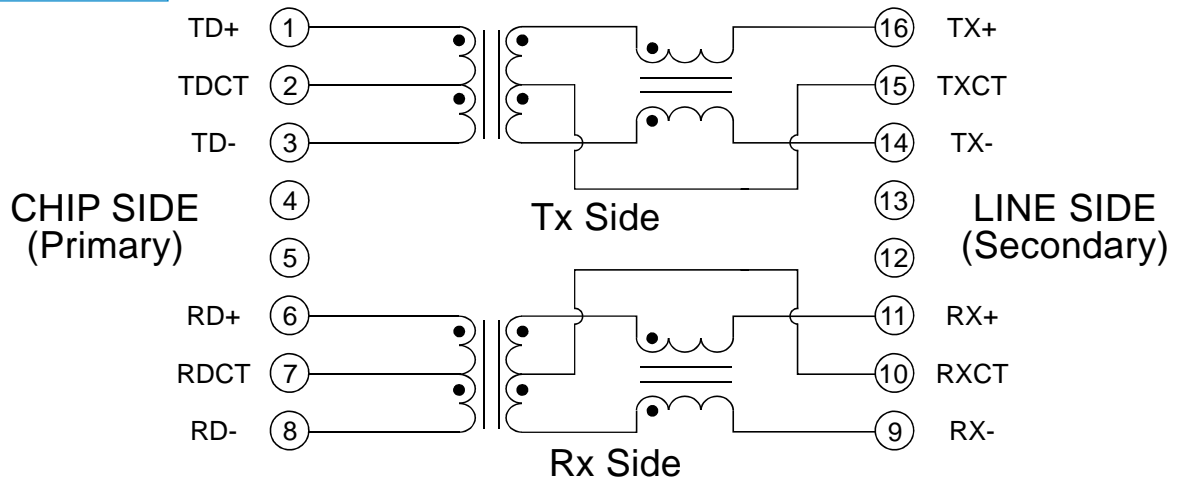
SCHEMATICS

824-M0190



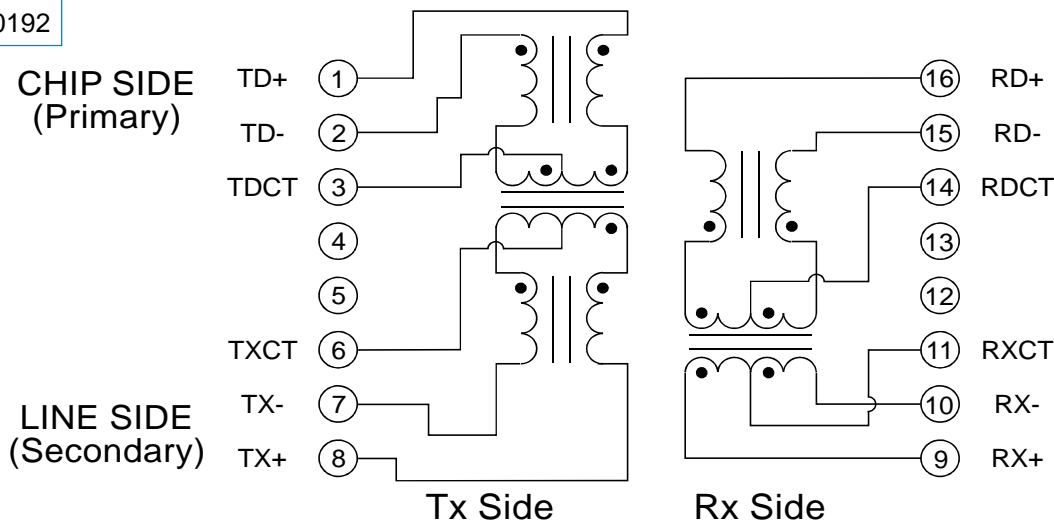
SCHEMATICS

824-M0113/ 824-M0142



SCHEMATICS

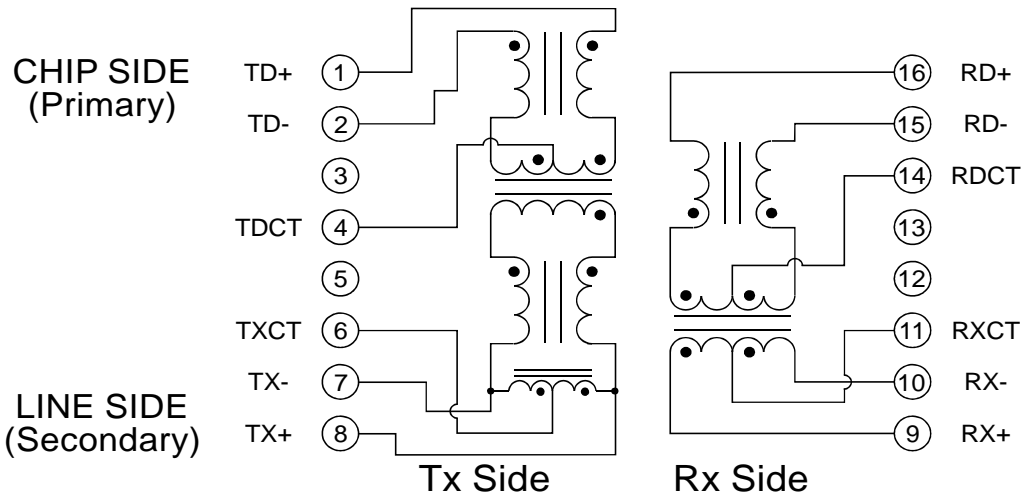
824-M0192





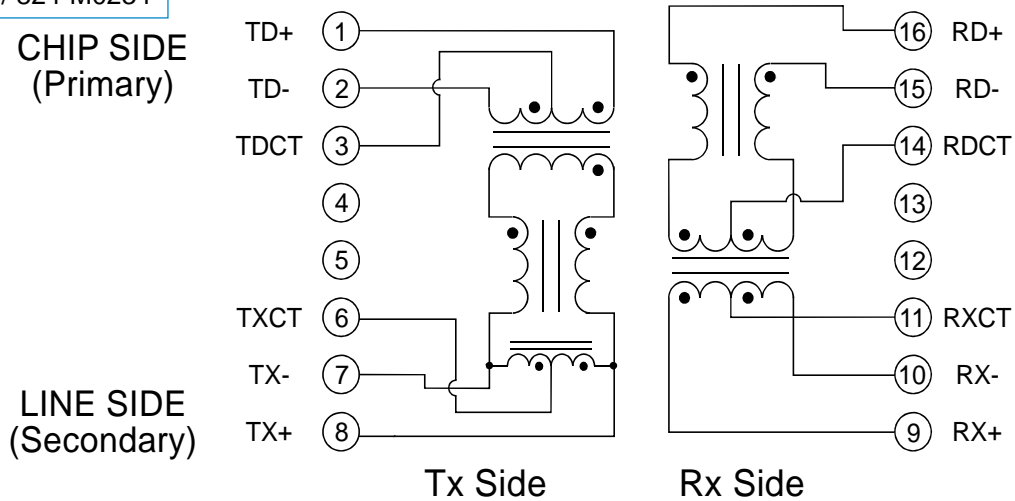
SCHEMATICS

824-M0218



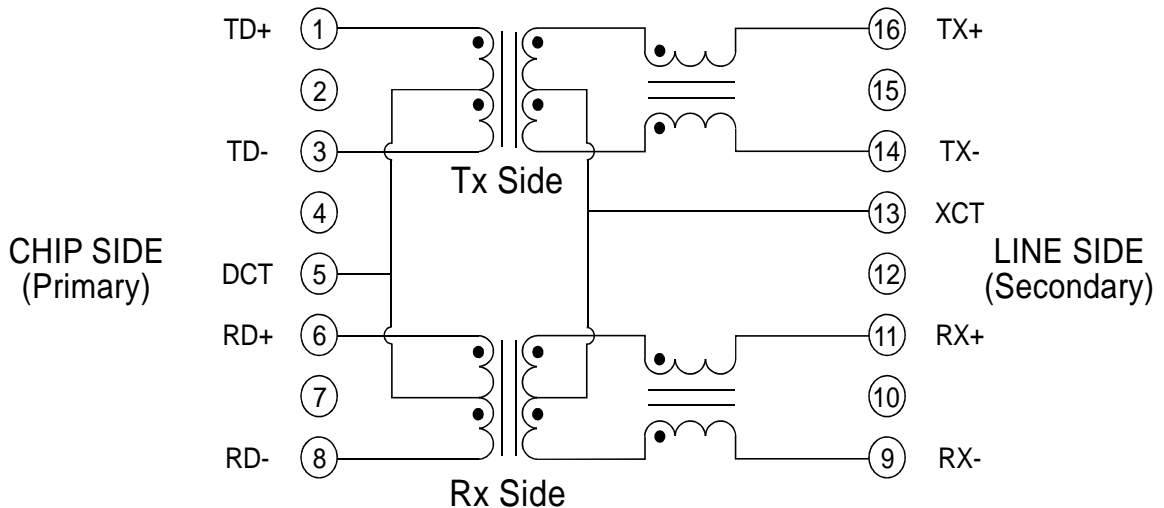
SCHEMATICS

824-M0219/ 824-M0234



SCHEMATICS

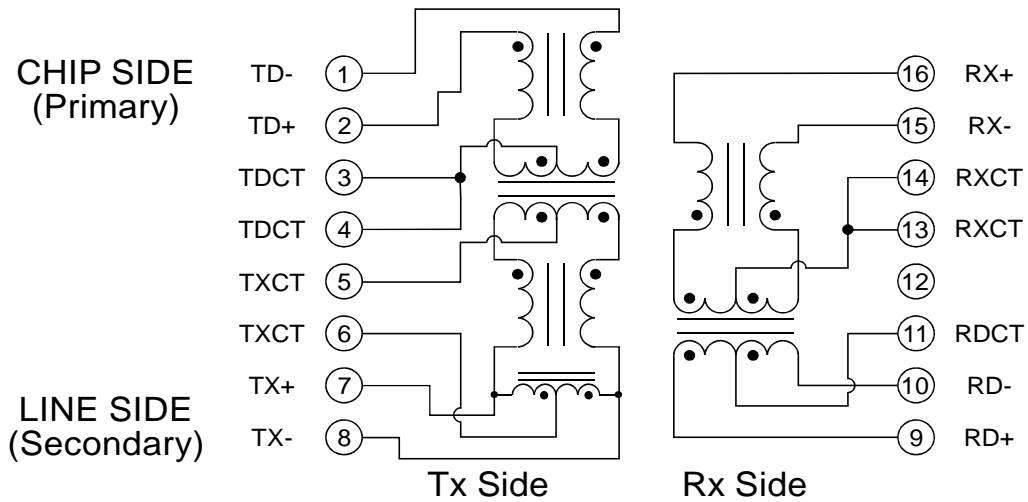
824-M0223





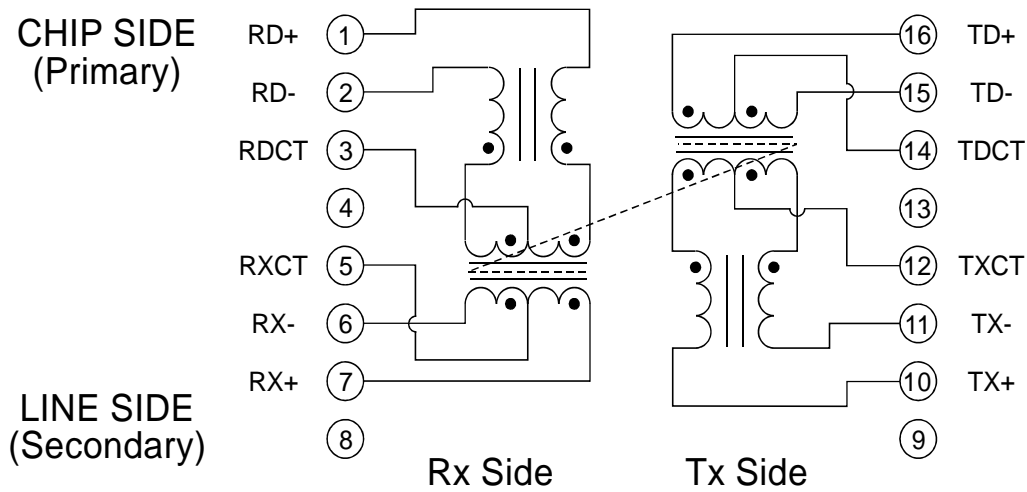
SCHEMATICS

824-M0235



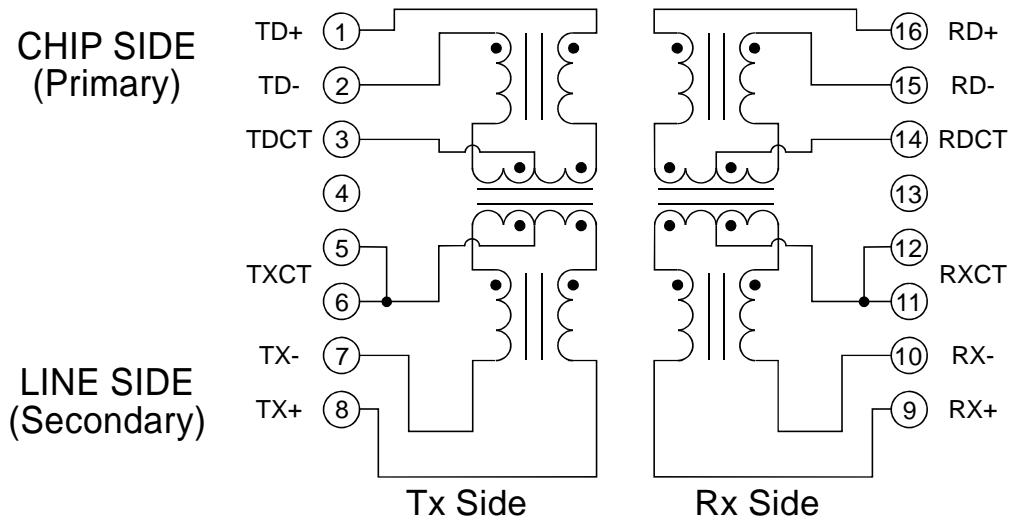
SCHEMATICS

824-M0241



SCHEMATICS

824-00274





Elec & Eltek 依利安達
E & E Magnetic Products Limited

10/100 Base-T Single Port Magnetic Module

For Transceiver Requiring 1:1 Transmit Turns Ratios

FOR MORE INFORMATION, PLEASE CONTACT

HEADQUARTER
2/F Block A, Merit Industrial Centre,
94 Tokwawan Road, Kowloon,
Hong Kong
Tel: (852) 2765 3888
Fax: (852) 2954 3304
Email: eempl@eleceltek.com
Website: <http://www.eleceltek.com>

Information herein is for reference only and subject to change without notice. It does not constitute any representation, warranty or commitment of the company in respect of the products in any aspect. All logos, brands and product names mentioned herein are trademarks or registered trademarks of their respective owners. The company does not assume any liability arising out of the application or use of any product or circuit described herein. Copyrights 2006, E & E Magnetic Products Limited.

2/F Block A, 94 Tokwawan Road, Kowloon, Hong Kong • Tel: (852) 2765 3888 • Fax: (852) 2954 3304