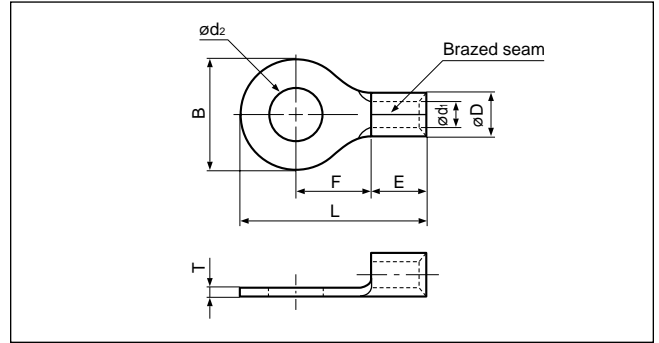


Solderless terminals



RING TONGUE (R type) Non-insulated



File No.: E42024 LR20812 670021

Applicable Wire AWG#(mm ²)	Stud size		Part No.		Standard	Dimensions mm (in.)								Tool No.	Qty/box
	American	Metric	JST	JIS		ϕd_2	B	L	F	E	ϕD	ϕd_1	T		
26 to 22 (0.2 to 0.5)	1-2	2	0.5-2			2.2 (.087)	5.2 (.205)	12.4 (.488)	5.8 (.228)	4.0 (.157)	2.0 (.079)	1.0 (.039)	0.5 (.020)	YHT-2622 YA-1 YA-2	1,000
	3-4	3	0.5-3			3.2 (.126)	5.2 (.205)	12.4 (.488)	5.8 (.228)						
	5-6	3.5	0.5-3.7			3.7 (.146)	6.6 (.260)	15.0 (.591)	7.7 (.303)						
	8	4	0.5-4			4.3 (.169)	6.6 (.260)	15.0 (.591)	7.7 (.303)						
	10	5	0.5-5			5.3 (.209)	8.0 (.315)	15.0 (.591)	7.0 (.276)						
22 to 16 (0.25 to 1.65)	1-2	2	1.25-2			2.2 (.087)	5.5 (.217)	11.5 (.453)	4.0 (.157)	4.8 (.189)	3.4 (.134)	1.7 (.067)	0.8 (.031)	YHT-2210 YA-1 YA-2 YA-4	1,000
	3-4	3	1.25-3	R1.25-3		3.2 (.126)	5.5 (.217)	11.5 (.453)	4.0 (.157)						
	5-6	3.5	1.25-3.7			3.7 (.146)	5.5 (.217)	11.5 (.453)	4.0 (.157)						
	3-4	3	1.25-MS3			3.2 (.126)	5.5 (.217)	13.2 (.520)	5.6 (.220)						
	3-4	3	1.25-M3.3			3.2 (.126)	6.6 (.260)	14.4 (.567)	6.3 (.248)						
	5-6	3.5	1.25-M3	R1.25-3.5		3.7 (.146)	6.6 (.260)	14.4 (.567)	6.3 (.248)						
	3-4	3	1.25-L3			3.2 (.126)	8.0 (.315)	15.8 (.622)	7.0 (.276)						
	5-6	3.5	1.25-L3.7			3.7 (.146)	8.0 (.315)	15.8 (.622)	7.0 (.276)						
	8	4	1.25-M4			4.3 (.169)	6.6 (.260)	14.4 (.567)	6.3 (.248)						
	8	4	1.25-4	R1.25-4		4.3 (.169)	8.0 (.315)	15.8 (.622)	7.0 (.276)						
	10	5	1.25-5	R1.25-5		5.3 (.209)	8.0 (.315)	15.8 (.622)	7.0 (.276)						
	1/4	6	1.25-6			6.4 (.252)	11.6 (.457)	21.7 (.854)	11.1 (.437)						
	5/16	8	1.25-8			8.4 (.331)	11.6 (.457)	21.7 (.854)	11.1 (.437)						
	3/8	9	1.25-9			9.8 (.386)	13.6 (.535)	25.5(1.004)	13.9 (.547)						
3/8	10	1.25-10			10.5 (.413)	13.6 (.535)	25.5(1.004)	13.9 (.547)							
1/2	12	1.25-12			13.0 (.512)	19.0 (.748)	31.0(1.220)	16.7 (.657)	500						
16 to 14 (1.04 to 2.63)	1-2	2	2-S2			2.2 (.087)	6.4 (.252)	12.3 (.484)	4.3 (.169)	4.8 (.189)	4.1 (.161)	2.3 (.091)	0.8 (.031)	YHT-2210 YA-1 YA-2 YA-4	1,000
	3-4	3	2-S3.3			3.2 (.126)	6.4 (.252)	12.3 (.484)	4.3 (.169)						
	5-6	3.5	2-S3			3.7 (.146)	6.4 (.252)	12.3 (.484)	4.3 (.169)						
	3-4	3	2-MS3			3.2 (.126)	5.5 (.217)	13.2 (.520)	5.6 (.220)						
	3-4	3	2-M3.3			3.2 (.126)	6.6 (.260)	14.4 (.567)	6.3 (.248)						
	5-6	3.5	2-M3	R2-3.5		3.7 (.146)	6.6 (.260)	14.4 (.567)	6.3 (.248)						
	5-6	3.5	2-P3.5			3.7 (.146)	7.0 (.276)	16.0 (.630)	7.7 (.303)						
	3-4	3	2-3			3.2 (.126)	8.5 (.335)	16.8 (.661)	7.8 (.307)						
	5-6	3.5	2-3.7			3.7 (.146)	8.5 (.335)	16.8 (.661)	7.8 (.307)						
	8	4	2-M4			4.3 (.169)	6.6 (.260)	14.4 (.567)	6.3 (.248)						
	8	4	2-P4			4.3 (.169)	7.0 (.276)	16.0 (.630)	7.7 (.303)						
	8	4	2-4	R2-4		4.3 (.169)	8.5 (.335)	16.8 (.661)	7.8 (.307)						
	10	5	2-M5			5.3 (.209)	8.5 (.335)	16.8 (.661)	7.8 (.307)						
	10	5	2-5	R2-5		5.3 (.209)	9.5 (.374)	16.8 (.661)	7.3 (.287)						
	1/4	6	2-6	R2-6		6.4 (.252)	12.0 (.472)	21.8 (.858)	11.0 (.433)						
	5/16	8	2-8	R2-8		8.4 (.331)	12.0 (.472)	21.8 (.858)	11.0 (.433)						
	3/8	9	2-9			9.8 (.386)	13.6 (.535)	25.5(1.004)	13.9 (.547)						
	3/8	10	2-10			10.5 (.413)	13.6 (.535)	25.5(1.004)	13.9 (.547)						
	1/2	12	2-12			13.0 (.512)	19.0 (.748)	31.0(1.220)	16.7 (.675)						
	1/2	14	2-14			15.0 (.591)	27.0(1.063)	39.5(1.555)	21.2 (.835)						
5/8	16	2-16			17.0 (.669)	27.0(1.063)	39.5(1.555)	21.2 (.835)							
3/4	20	2-20			21.0 (.827)	27.0(1.063)	39.5(1.555)	21.2 (.835)							
14 to 12 (3.5)	3-4	3	3.5-R3			3.2 (.126)	8.0 (.315)	17.8 (.707)	9.0 (.354)	4.8 (.189)	4.8 (.189)	2.7 (.106)	1.0 (.039)	YHT-2210 (Dies mark. 5)	1,000
	8	4	3.5-R4			4.3 (.169)	8.0 (.315)	17.8 (.707)	9.0 (.354)						
	10	5	3.5-R5			5.3 (.209)	8.0 (.315)	17.8 (.707)	9.0 (.354)						
	1/4	6	3.5-6			6.4 (.252)	10.3 (.406)	18.6 (.732)	8.6 (.339)						

Note: 1) Products with the JIS mark conform to JIS C2805.
 2) The part numbers indicated in the above table are for products with a brazed seam.
 When ordering products with a nominal size of 0.5 to 5.5 with a butted seam, add the prefix "WS" to the part number (ex. 2-4 → **WS2-4**).



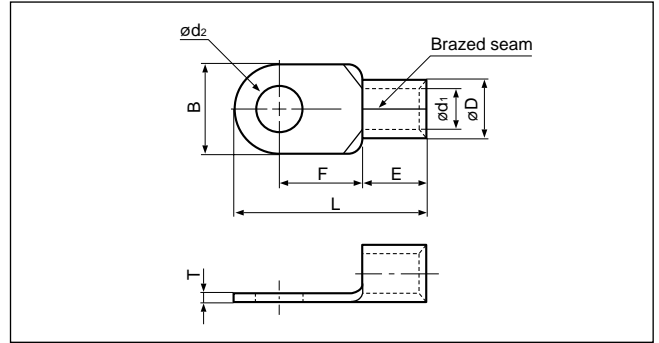
Applicable Wire AWG#(mm ²)	Stud size		Part No.		Standard	Dimensions mm (in.)							Tool No.	Qty/box	
	American	Metric	JST	JIS		∅d ₂	B	L	F	E	∅D	∅d ₁			T
12 to10 (2.63 to 6.64)	3-4	3	5.5-S3.3		UL SF	3.2 (.126)	7.2 (.283)	15.7 (.618)	5.9 (.232)	6.2 (.244)	5.6 (.220)	3.4 (.134)	1.0 (.039)	YHT-2210 YA-1 YA-2 YA-4	1,000
	5-6	3.5	5.5-S3		UL SF	3.7 (.146)	7.2 (.283)	15.7 (.618)	5.9 (.232)	6.2 (.244)					
	3-4	3	5.5-3		UL SF	3.2 (.126)	9.5 (.374)	19.8 (.780)	8.3 (.327)	6.8 (.268)					
	5-6	3.5	5.5-3.7		UL SF	3.7 (.146)	9.5 (.374)	19.8 (.780)	8.3 (.327)	6.8 (.268)					
	8	4	5.5-S4		UL SF	4.3 (.169)	7.2 (.283)	15.7 (.618)	5.9 (.232)	6.2 (.244)					
	8	4	5.5-4	R5.5-4	UL SF S	4.3 (.169)	9.5 (.374)	19.8 (.780)	8.3 (.327)						
	10	5	5.5-5	R5.5-5	UL SF S	5.3 (.209)	9.5 (.374)	19.8 (.780)	8.3 (.327)						
	10	5	5.5-S5		UL SF	5.3 (.209)	13.2 (.520)	22.4 (.882)	9.0 (.354)						
	1/4	6	5.5-6	R5.5-6	UL SF S	6.4 (.252)	12.0 (.472)	25.8(1.016)	13.0 (.512)						
	1/4	6	5.5-S6		UL SF	6.4 (.252)	13.2 (.520)	22.4 (.882)	9.0 (.354)						
	1/4	6	5.5-L6			6.4 (.252)	15.0 (.591)	28.0(1.102)	13.7 (.539)						
	5/16	8	5.5-S8		UL SF	8.4 (.331)	13.2 (.520)	22.4 (.882)	9.0 (.354)						
	5/16	8	5.5-8	R5.5-8	UL SF S	8.4 (.331)	15.0 (.591)	28.0(1.102)	13.7 (.539)						
	3/8	9	5.5-9		UL SF	9.8 (.386)	15.0 (.591)	28.0(1.102)	13.7 (.539)						
	3/8	10	5.5-10	R5.5-10	UL SF S	10.5 (.413)	15.0 (.591)	28.0(1.102)	13.7 (.539)						
	3/8	10	5.5-L10		UL SF	10.5 (.413)	19.2 (.756)	32.4(1.276)	16.0 (.630)						
	7/16	12	5.5-12		UL SF	13.0 (.512)	19.2 (.756)	32.4(1.276)	16.0 (.630)						
	1/2	14	5.5-14		UL SF	15.0 (.591)	32.0(1.260)	48.1(1.894)	25.3 (.996)						
5/8	16	5.5-16		UL SF	17.0 (.669)	32.0(1.260)	48.1(1.894)	25.3 (.996)							
11/16	18	5.5-18		UL SF	19.0 (.748)	32.0(1.260)	48.1(1.894)	25.3 (.996)							
3/4	20	5.5-20		UL SF	21.0 (.827)	32.0(1.260)	48.1(1.894)	25.3 (.996)							
8 (6.64 to 10.52)	8	4	8-NK4		UL SF	4.3 (.169)	9.0 (.354)	16.5 (.650)	5.8 (.228)	8.5 (.335)	7.1 (.280)	4.5 (.177)	1.2 (.047)	YHT-8S YA-4 YPT-60-21 YF-1 YET-60-1 (Note 3)	500
	10	5	8-NK5			5.3 (.209)	9.0 (.354)	16.5 (.650)	5.8 (.228)						
	8	4	8-4		UL SF	4.3 (.169)	12.0 (.472)	23.8 (.937)	9.3 (.366)						
	10	5	8-5	R8-5	UL SF S	5.3 (.209)	12.0 (.472)	23.8 (.937)	9.3 (.366)						
	10	5	8-L5		UL SF	5.3 (.209)	15.0 (.591)	29.8(1.173)	13.8 (.543)						
	1/4	6	8-6	R8-6	UL SF S	6.4 (.252)	12.0 (.472)	23.8 (.937)	9.3 (.366)						
	1/4	6	8-L6		UL SF	6.4 (.252)	15.0 (.591)	29.8(1.173)	13.8 (.543)						
	5/16	8	8-8	R8-8	UL SF S	8.4 (.331)	15.0 (.591)	29.8(1.173)	13.8 (.543)						
	3/8	9	8-9		UL SF	9.8 (.386)	15.0 (.591)	29.8(1.173)	13.8 (.543)						
	3/8	10	8-10	R8-10	UL SF S	10.5 (.413)	15.0 (.591)	29.8(1.173)	13.8 (.543)						
	3/8	10	8-L10		UL SF	10.5 (.413)	20.0 (.787)	33.5(1.319)	15.0 (.591)						
	7/16	11	8-11		UL SF	11.5 (.453)	20.0 (.787)	33.5(1.319)	15.0 (.591)						
	7/16	12	8-12		UL SF	13.0 (.512)	20.0 (.787)	33.5(1.319)	15.0 (.591)						
	1/2	14	8-14		UL SF	15.0 (.591)	31.6(1.244)	50.0(1.969)	25.7(1.012)						
	5/8	16	8-16		UL SF	17.0 (.669)	31.6(1.244)	50.0(1.969)	25.7(1.012)						
11/16	18	8-18		UL SF	19.0 (.748)	31.6(1.244)	50.0(1.969)	25.7(1.012)							
3/4	20	8-20		UL SF	21.0 (.827)	31.6(1.244)	50.0(1.969)	25.7(1.012)							
6 (10.52 to 16.78)	8	4	14-NK4			4.3 (.169)	12.2 (.480)	23.0 (.906)	7.7 (.303)	9.2 (.362)	9.0 (.354)	5.8 (.228)	1.5 (.059)	YHT-14S YA-4 YA-5 YPT-60-21 YPT-150-1 BCT-860 BCT-8150 YF-1 YET-60-1 YET-150-1	200
	10	5	14-NK5		UL SF	5.3 (.209)	12.2 (.480)	23.0 (.906)	7.7 (.303)						
	10	5	14-5	R14-5	UL SF S	5.3 (.209)	12.0 (.472)	29.8(1.173)	13.3 (.524)						
	1/4	6	14-6	R14-6	UL SF S	6.4 (.252)	12.0 (.472)	29.8(1.173)	13.3 (.524)						
	5/16	8	14-8	R14-8	UL SF S	8.4 (.331)	16.0 (.630)	32.8(1.291)	14.5 (.571)						
	5/16	8	14-S8			8.4 (.331)	12.0 (.472)	31.0(1.220)	14.5 (.571)						
	3/8	9	14-9		UL SF	9.8 (.386)	16.0 (.630)	32.8(1.291)	14.5 (.571)						
	3/8	10	14-10	R14-10	UL SF S	10.5 (.413)	16.0 (.630)	32.8(1.291)	14.5 (.571)						
	3/8	10	14-L10		UL SF	10.5 (.413)	22.0 (.866)	41.0(1.614)	19.5 (.739)						
	7/16	11	14-11		UL SF	11.5 (.453)	22.0 (.866)	41.0(1.614)	19.5 (.739)						
	7/16	12	14-12	R14-12	UL SF S	13.0 (.512)	22.0 (.866)	41.0(1.614)	19.5 (.739)						
	1/2	14	14-14	R14-14	UL SF S	15.0 (.591)	30.0(1.181)	49.0(1.929)	23.5 (.925)						
	5/8	16	14-16		UL SF	17.0 (.669)	31.6(1.244)	51.5(2.028)	25.2 (.992)						
	11/16	18	14-18		UL SF	19.0 (.748)	31.6(1.244)	51.5(2.028)	25.2 (.992)						
	3/4	20	14-20		UL SF	21.0 (.827)	31.6(1.244)	51.5(2.028)	25.2 (.992)						

Note:3) Please use the die AD-901S for the pneumatic tool YA-4, and the die 8NK-6 for the hydraulic tools YPT-60-21/YET-60-1.

Solderless terminals



RING TONGUE (R type) Non-insulated



Applicable Wire AWG#(mm ²)	Stud size		Part No.		Standard	Dimensions mm (in.)								Tool No.	Qty/box
	American	Metric	JST	JIS		ϕd_2	B	L	F	E	ϕD	ϕd_1	T		
4 (16.78 to 26.66)	10	5	22-5		UL	5.3 (.209)	16.5 (.650)	33.7(1.327)	13.5 (.531)	12.0 (.472)	11.5 (.453)	7.7 (.303)	1.8 (.071)	YA-5 YPT-60-21 YPT-150-1 BCT-860 BCT-8150 YF-1 YET-60-1 YET-150-1	100
	1/4	6	22-S6		UL	6.4 (.252)	12.0 (.472)	30.0(1.181)	12.0 (.472)						
	1/4	6	22-6	R22-6	UL	6.4 (.252)	16.5 (.650)	33.7(1.327)	13.5 (.531)						
	5/16	8	22-8	R22-8	UL	8.4 (.331)	16.5 (.650)	33.7(1.327)	13.5 (.531)						
	5/16	8	22-S8		UL	8.4 (.331)	12.0 (.427)	30.0(1.181)	12.0 (.472)						
	3/8	9	22-9		UL	9.8 (.386)	17.5 (.689)	36.7(1.445)	16.0 (.630)						
	3/8	10	22-10	R22-10	UL	10.5 (.413)	17.5 (.689)	36.7(1.445)	16.0 (.630)						
	7/16	11	22-11		UL	11.5 (.453)	22.0 (.866)	42.5(1.673)	19.5 (.768)						
	7/16	12	22-12	R22-12	UL	13.0 (.512)	22.0 (.866)	42.5(1.673)	19.5 (.768)						
	1/2	14	22-14	R22-14	UL	15.0 (.591)	30.0(1.181)	51.5(2.028)	24.5 (.965)						
	5/8	16	22-16		UL	17.0 (.669)	30.0(1.181)	51.5(2.028)	24.5 (.965)						
11/16	18	22-18		UL	19.0 (.748)	30.0(1.181)	51.5(2.028)	24.5 (.965)							
3/4	20	22-20		UL	21.0 (.827)	30.0(1.181)	51.5(2.028)	24.5 (.965)							
2 (26.66 to 42.42)	10	5	38-S5		UL	5.3 (.209)	15.5 (.610)	38.0(1.496)	16.0 (.630)	14.0 (.551)	13.3 (.524)	9.4 (.370)	1.8 (.071)	YA-5 YPT-60-21 YPT-150-1 BCT-860 BCT-8150 YF-1 YET-60-1 YET-150-1	100
	10	5	38-5		UL	5.3 (.209)	22.0 (.866)	42.7(1.681)	17.7 (.697)						
	1/4	6	38-S6		UL	6.4 (.252)	15.5 (.610)	38.0(1.496)	16.0 (.630)						
	1/4	6	38-6		UL	6.4 (.250)	22.0 (.866)	42.7(1.681)	17.7 (.697)						
	5/16	8	38-S8		UL	8.4 (.331)	15.5 (.610)	38.0(1.496)	16.0 (.630)						
	5/16	8	38-8	R38-8	UL	8.4 (.331)	22.0 (.866)	42.7(1.681)	17.7 (.697)						
	5/16	8	38-L8		UL	8.4 (.331)	30.0(1.181)	52.5(2.067)	23.5 (.925)						
	3/8	9	38-S9		UL	9.8 (.386)	27.0 (.610)	38.0(1.496)	16.0 (.630)						
	3/8	9	38-9		UL	9.8 (.386)	22.0 (.866)	42.7(1.681)	17.7 (.697)						
	3/8	10	38-S10		UL	10.5 (.413)	15.5 (.610)	38.0(1.496)	16.0 (.630)						
	3/8	10	38-10	R38-10	UL	10.5 (.413)	22.0 (.866)	42.7(1.681)	17.7 (.697)						
	7/16	11	38-11		UL	11.5 (.453)	22.0 (.866)	42.7(1.681)	17.7 (.697)						
	7/16	12	38-12	R38-12	UL	13.0 (.512)	22.0 (.866)	42.7(1.681)	17.7 (.697)						
	1/2	14	38-14	R38-14	UL	15.0 (.591)	30.0(1.181)	52.5(2.067)	23.5 (.925)						
	5/8	16	38-16		UL	17.0 (.669)	30.0(1.181)	52.5(2.067)	23.5 (.925)						
11/16	18	38-18		UL	19.0 (.748)	30.0(1.181)	52.5(2.067)	23.5 (.925)							
3/4	20	38-20		UL	21.0 (.827)	30.0(1.181)	52.5(2.067)	23.5 (.925)							
1/0 (42.42 to 60.57)	—	—	60-S0			—	22.0 (.866)	49.7(1.957)	20.7 (.815)	18.0 (.709)	15.5 (.610)	11.4 (.449)	2.0 (.079)	YA-5 YPT-60-21 YPT-150-1 BCT-860 BCT-8150 YF-1 YET-60-1 YET-150-1 YET-300-1 YET-300N	50
	1/4	6	60-6		UL	6.4 (.252)	22.0 (.866)	49.7(1.957)	20.7 (.815)						
	5/16	8	60-8	R60-8	UL	8.4 (.331)	22.0 (.866)	49.7(1.957)	20.7 (.815)						
	3/8	9	60-9		UL	9.8 (.386)	22.0 (.866)	49.7(1.957)	20.7 (.815)						
	3/8	10	60-10	R60-10	UL	10.5 (.413)	22.0 (.866)	49.7(1.957)	20.7 (.815)						
	7/16	11	60-11		UL	11.5 (.453)	22.0 (.866)	49.7(1.957)	20.7 (.815)						
	7/16	12	60-12	R60-12	UL	13.0 (.512)	22.0 (.866)	49.7(1.957)	20.7 (.815)						
	1/2	14	60-14	R60-14	UL	15.0 (.591)	32.0(1.260)	57.5(2.264)	23.5 (.925)						
	5/8	16	60-16		UL	17.0 (.669)	32.0(1.260)	57.5(2.264)	23.5 (.925)						
	11/16	18	60-18		UL	19.0 (.748)	32.0(1.260)	57.5(2.264)	23.5 (.925)						
	3/4	20	60-20		UL	21.0 (.827)	32.0(1.260)	57.5(2.264)	23.5 (.925)						
7/8	22	60-22		UL	23.0 (.906)	32.0(1.260)	57.5(2.264)	23.5 (.925)							



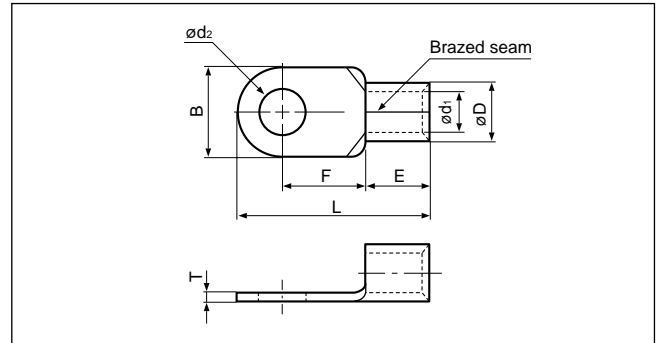
Applicable Wire AWG# (mm ²)	Stud size		Part No.		Standard	Dimensions mm (in.)								Tool No.	Qty/box
	American	Metric	JST	JIS		∅d ₂	B	L	F	E	∅D	∅d ₁	T		
2/0 (60.57 to 76.28)	—	—	70-S0			—	24.0 (.945)	51.0(2.008)	20.0 (.787)	19.0 (.748)	17.5 (.689)	13.3 (.524)	2.0 (.079)	YPT-150-1 BCT-8150 YF-1 YET-150-1 YET-300-1 YET-300N	50
	1/4	6	70-6		UL Ⓢ	6.4 (.252)	24.0 (.945)	51.0(2.008)	20.0 (.787)						
	5/16	8	70-8		UL Ⓢ	8.4 (.331)	24.0 (.945)	51.0(2.008)	20.0 (.787)						
	3/8	9	70-9		UL Ⓢ	9.8 (.386)	24.0 (.945)	51.0(2.008)	20.0 (.787)						
	3/8	10	70-10		UL Ⓢ	10.5 (.413)	24.0 (.945)	51.0(2.008)	20.0 (.787)						
	7/16	11	70-11		UL Ⓢ	11.5 (.453)	24.0 (.945)	51.0(2.008)	20.0 (.787)						
	7/16	12	70-12		UL Ⓢ	13.0 (.512)	24.0 (.945)	51.0(2.008)	20.0 (.787)						
	1/2	14	70-14		UL Ⓢ	15.0 (.591)	32.0(1.260)	61.0(2.402)	26.0(1.024)						
	5/8	16	70-16		UL Ⓢ	17.0 (.669)	32.0(1.260)	61.0(2.402)	26.0(1.024)						
	11/16	18	70-18		UL Ⓢ	19.0 (.748)	32.0(1.260)	61.0(2.402)	26.0(1.024)						
	3/4	20	70-20		UL Ⓢ	21.0 (.827)	32.0(1.260)	61.0(2.402)	26.0(1.024)						
7/8	22	70-22		UL Ⓢ	23.0 (.906)	32.0(1.260)	61.0(2.402)	26.0(1.024)							
3/0 (76.28 to 96.3)	—	—	80-S0			—	27.0(1.630)	54.2(2.134)	20.7 (.815)	20.0 (.787)	19.5 (.768)	14.5 (.571)	2.3 (.091)	YPT-150-1 BCT-8150 YF-1 YET-150-1 YET-300-1 YET-300N	25
	1/4	6	80-6		UL Ⓢ	6.4 (.252)	27.0(1.630)	54.2(2.134)	20.7 (.815)						
	5/16	8	80-8		UL Ⓢ	8.4 (.331)	27.0(1.630)	54.2(2.134)	20.7 (.815)						
	3/8	9	80-9		UL Ⓢ	9.8 (.386)	27.0(1.630)	54.2(2.134)	20.7 (.815)						
	3/8	10	80-10	R80-10	UL Ⓢ Ⓢ	10.5 (.413)	27.0(1.630)	54.2(2.134)	20.7 (.815)						
	7/16	11	80-11		UL Ⓢ	11.5 (.453)	27.0(1.630)	54.2(2.134)	20.7 (.815)						
	7/16	12	80-12	R80-12	UL Ⓢ Ⓢ	13.0 (.512)	27.0(1.630)	54.2(2.134)	20.7 (.815)						
	—	—	80-L0			—	32.0(1.260)	68.0(2.677)	32.0(1.260)						
	5/16	8	80-L8		UL Ⓢ	8.4 (.331)	32.0(1.260)	68.0(2.677)	32.0(1.260)						
	3/8	10	80-L10		UL Ⓢ	10.5 (.413)	32.0(1.260)	68.0(2.677)	32.0(1.260)						
	7/16	12	80-L12		UL Ⓢ	13.0 (.512)	32.0(1.260)	68.0(2.677)	32.0(1.260)						
	1/2	14	80-14	R80-14	UL Ⓢ Ⓢ	15.0 (.591)	32.0(1.260)	68.0(2.677)	32.0(1.260)						
	5/8	16	80-16	R80-16	UL Ⓢ Ⓢ	17.0 (.669)	32.0(1.260)	68.0(2.677)	32.0(1.260)						
	11/16	18	80-18		UL Ⓢ	19.0 (.748)	32.0(1.260)	68.0(2.677)	32.0(1.260)						
	3/4	20	80-20		UL Ⓢ	21.0 (.827)	32.0(1.260)	68.0(2.677)	32.0(1.260)						
7/8	22	80-22		UL Ⓢ	23.0 (.906)	32.0(1.260)	68.0(2.677)	32.0(1.260)							
4/0 (96.3 to 117.2)	—	—	100-S0			—	28.5(1.122)	55.6(2.189)	20.4 (.803)	21.0 (.827)	22.3 (.878)	16.4 (.646)	2.6 (.102)	YPT-150-1 BCT-8150 YF-1 YET-150-1 YET-300-1 YET-300N	25
	1/4	6	100-6		UL Ⓢ	6.4 (.252)	28.5(1.122)	55.6(2.189)	20.4 (.803)						
	5/16	8	100-8		UL Ⓢ	8.4 (.331)	28.5(1.122)	55.6(2.189)	20.4 (.803)						
	3/8	9	100-9		UL Ⓢ	9.8 (.386)	28.5(1.122)	55.6(2.189)	20.4 (.803)						
	3/8	10	100-10	R100-10	UL Ⓢ Ⓢ	10.5 (.413)	28.5(1.122)	55.6(2.189)	20.4 (.803)						
	7/16	11	100-11		UL Ⓢ	11.5 (.453)	28.5(1.122)	55.6(2.189)	20.4 (.803)						
	7/16	12	100-12	R100-12	UL Ⓢ Ⓢ	13.0 (.512)	28.5(1.122)	55.6(2.189)	20.4 (.803)						
	—	—	100-L0			—	32.0(1.260)	69.0(2.717)	32.0(1.260)						
	5/16	8	100-L8		UL Ⓢ	8.4 (.331)	32.0(1.260)	69.0(2.717)	32.0(1.260)						
	3/8	10	100-L10		UL Ⓢ	10.5 (.413)	32.0(1.260)	69.0(2.717)	32.0(1.260)						
	7/16	12	100-L12		UL Ⓢ	13.0 (.512)	32.0(1.260)	69.0(2.717)	32.0(1.260)						
	1/2	14	100-14	R100-14	UL Ⓢ Ⓢ	15.0 (.591)	32.0(1.260)	69.0(2.717)	32.0(1.260)						
	5/8	16	100-16	R100-16	UL Ⓢ Ⓢ	17.0 (.669)	32.0(1.260)	69.0(2.717)	32.0(1.260)						
	11/16	18	100-18	R100-18	UL Ⓢ Ⓢ	19.0 (.748)	32.0(1.260)	69.0(2.717)	32.0(1.260)						
	3/4	20	100-20	R100-20	UL Ⓢ Ⓢ	21.0 (.827)	32.0(1.260)	69.0(2.717)	32.0(1.260)						
	7/8	22	100-22		UL Ⓢ	23.0 (.906)	32.0(1.260)	69.0(2.717)	32.0(1.260)						

Note: 1) Products with the JIS mark Ⓢ conform to JIS C2805.
 2) Part numbers containing "S0" or "L0" do not have stud holes.

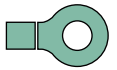
Solderless terminals



RING TONGUE (R type) Non-insulated



Applicable Wire AWG# (mm ²)	Stud size		Part No.	Standard	Dimensions mm (in.)								Tool No.	Qty/box
	American	Metric			ϕd_2	B	L	F	E	ϕD	ϕd_1	T		
250/300 (117.2 to 152.05)	—	—	150-S0		—	36.0(1.417)	66.0(2.600)	23.0 (.906)	27.0 (1.063)	26.5 (1.043)	19.5 (.768)	3.2 (.126)	YPT-150-1 BCT-8150 YF-1 YET-150-1 YET-300-1 YET-300N	20
	1/4	6	150-6	UL ☉	6.4 (.252)	36.0(1.417)	66.0(2.600)	23.0 (.906)						
	5/16	8	150-8	UL ☉	8.4 (.331)	36.0(1.417)	66.0(2.600)	23.0 (.906)						
	3/8	9	150-9	UL ☉	9.8 (.386)	36.0(1.417)	66.0(2.600)	23.0 (.906)						
	3/8	10	150-10	UL ☉	10.5 (.413)	36.0(1.417)	66.0(2.600)	23.0 (.906)						
	7/16	11	150-11	UL ☉	11.5 (.453)	36.0(1.417)	66.0(2.600)	23.0 (.906)						
	7/16	12	150-12	UL ☉	13.0 (.512)	36.0(1.417)	66.0(2.600)	23.0 (.906)						
	5/8	16	150-16	UL ☉	17.0 (.669)	36.0(1.417)	66.0(2.600)	23.0 (.906)						
	—	—	150-L0		—	36.0(1.417)	81.0(3.189)	36.0(1.417)						
	5/16	8	150-L8	UL ☉	8.4 (.331)	36.0(1.417)	81.0(3.189)	36.0(1.417)						
	3/8	10	150-L10	UL ☉	10.5 (.413)	36.0(1.417)	81.0(3.189)	36.0(1.417)						
	7/16	12	150-L12	UL ☉	13.0 (.512)	36.0(1.417)	81.0(3.189)	36.0(1.417)						
	5/8	16	150-L16	UL ☉	17.0 (.669)	36.0(1.417)	81.0(3.189)	36.0(1.417)						
	7/8	22	150-22	UL ☉	23.0 (.906)	36.0(1.417)	81.0(3.189)	36.0(1.417)						
	15/16	24	150-24	UL ☉	25.0 (.984)	36.0(1.417)	81.0(3.189)	36.0(1.417)						
	1	27	150-27	UL ☉	28.0(1.102)	36.0(1.417)	81.0(3.189)	36.0(1.417)						
	3/8	10	R150-10	UL ☉ ☉	10.5 (.413)	36.0(1.417)	66.0(2.600)	21.0 (.827)						
	7/16	12	R150-12	UL ☉ ☉	13.0 (.512)	36.0(1.417)	66.0(2.600)	21.0 (.827)						
	1/2	14	R150-14	UL ☉ ☉	15.0 (.591)	36.0(1.417)	68.0(2.677)	23.0 (.906)						
	5/8	16	R150-16	UL ☉ ☉	17.0 (.669)	36.0(1.417)	68.0(2.677)	23.0 (.906)						
11/16	18	R150-18	UL ☉ ☉	19.0 (.748)	36.0(1.417)	81.0(3.189)	36.0(1.417)							
3/4	20	R150-20	UL ☉ ☉	21.0 (.827)	36.0(1.417)	81.0(3.189)	36.0(1.417)							
350 (152.05 to 192.60)	—	—	180-S0		—	38.5(1.516)	69.0(2.717)	24.5 (.965)	28.5 (1.122)	28.5 (1.122)	21.0 (.827)	3.5 (.138)	YF-1 YET-300-1 YET-300N	20
	5/16	8	180-8	UL ☉	8.4 (.331)	38.5(1.516)	69.0(2.717)	24.5 (.965)						
	3/8	10	180-10	UL ☉	10.5 (.413)	38.5(1.516)	69.0(2.717)	24.5 (.965)						
	7/16	11	180-11	UL ☉	11.5 (.453)	38.5(1.516)	69.0(2.717)	24.5 (.965)						
	7/16	12	180-12	UL ☉	13.0 (.512)	38.5(1.516)	69.0(2.717)	24.5 (.965)						
	1/2	14	180-14	UL ☉	15.0 (.591)	38.5(1.516)	69.0(2.717)	24.5 (.965)						
	5/8	16	180-16	UL ☉	17.0 (.669)	38.5(1.516)	69.0(2.717)	24.5 (.965)						
	—	—	180-L0		—	38.5(1.516)	86.8(3.417)	39.0(1.535)						
	5/16	8	180-L8	UL ☉	8.4 (.331)	38.5(1.516)	86.8(3.417)	39.0(1.535)						
	3/8	10	180-L10	UL ☉	10.5 (.413)	38.5(1.516)	86.8(3.417)	39.0(1.535)						
	7/16	12	180-L12	UL ☉	13.0 (.512)	38.5(1.516)	86.8(3.417)	39.0(1.535)						
	5/8	16	180-L16	UL ☉	17.0 (.669)	38.5(1.516)	86.8(3.417)	39.0(1.535)						
	11/16	18	180-18	UL ☉	19.0 (.748)	38.5(1.516)	86.8(3.417)	39.0(1.535)						
	3/4	20	180-20	UL ☉	21.0 (.827)	38.5(1.516)	86.8(3.417)	39.0(1.535)						
	7/8	22	180-22	UL ☉	23.0 (.906)	38.5(1.516)	86.8(3.417)	39.0(1.535)						
	15/16	24	180-24	UL ☉	25.0 (.984)	38.5(1.516)	86.8(3.417)	39.0(1.535)						
	1	27	180-27	UL ☉	28.0(1.102)	38.5(1.516)	86.8(3.417)	39.0(1.535)						



Applicable Wire AWG#(mm ²)	Stud size		Part No.	Standard	Dimensions mm (in.)								Tool No.	Qty/box
	American	Metric			∅d ₂	B	L	F	E	∅D	∅d ₁	T		
400 (192.60 to 242.27)	—	—	200-S0		—	44.0(1.732)	72.0(2.835)	24.5 (.965)	31.5 (1.240)	32.7 (1.287)	24.0 (.945)	4.0 (.157)	YF-1 YET-300-1 YET-300N	10
	12/16	8	200-8	UL Ⓢ	8.4 (.331)	44.0(1.732)	72.0(2.835)	24.5 (.965)						
	3/8	9	200-9	UL Ⓢ	9.8 (.386)	44.0(1.732)	72.0(2.835)	24.5 (.965)						
	3/8	10	200-10	UL Ⓢ	10.5 (.413)	44.0(1.732)	72.0(2.835)	24.5 (.965)						
	7/16	11	200-11	UL Ⓢ	11.5 (.453)	44.0(1.732)	72.0(2.835)	24.5 (.965)						
	7/16	12	200-12	UL Ⓢ	13.0 (.512)	44.0(1.732)	72.0(2.835)	24.5 (.965)						
	1/2	14	200-14	UL Ⓢ	15.0 (.591)	44.0(1.732)	72.0(2.835)	24.5 (.965)						
	5/8	16	200-16	UL Ⓢ	17.0 (.669)	44.0(1.732)	72.0(2.835)	24.5 (.965)						
	—	—	200-L0		—	44.0(1.732)	91.0(3.583)	37.5(1.476)						
	5/16	8	200-L8	UL Ⓢ	8.4 (.331)	44.0(1.732)	91.0(3.583)	37.5(1.476)						
	3/8	10	200-L10	UL Ⓢ	10.5 (.413)	44.0(1.732)	91.0(3.583)	37.5(1.476)						
	7/16	12	200-L12	UL Ⓢ	13.0 (.512)	44.0(1.732)	91.0(3.583)	37.5(1.476)						
	5/8	16	200-L16	UL Ⓢ	17.0 (.669)	44.0(1.732)	91.0(3.583)	37.5(1.476)						
	7/16	12	R200-12	UL Ⓢ Ⓢ	13.0 (.512)	44.0(1.732)	78.0(3.071)	24.5 (.965)						
	1/2	14	R200-14	UL Ⓢ Ⓢ	15.0 (.591)	44.0(1.732)	78.0(3.071)	24.5 (.965)						
	5/8	16	R200-16	UL Ⓢ Ⓢ	17.0 (.669)	44.0(1.732)	78.0(3.071)	24.5 (.965)						
	11/16	18	R200-18	UL Ⓢ Ⓢ	19.0 (.748)	44.0(1.732)	91.0(3.583)	37.5(1.476)						
	3/4	20	R200-20	UL Ⓢ Ⓢ	21.0 (.827)	44.0(1.732)	91.0(3.583)	37.5(1.476)						
	7/8	22	R200-22	UL Ⓢ Ⓢ	23.0 (.906)	44.0(1.732)	91.0(3.583)	37.5(1.476)						
	15/16	24	R200-24	UL Ⓢ Ⓢ	25.0 (.984)	44.0(1.732)	91.0(3.583)	37.5(1.476)						
1	27	R200-27	UL Ⓢ Ⓢ	28.0(1.102)	44.0(1.732)	91.0(3.583)	37.5(1.476)							
600/650 (242.27 to 325)	—	—	325-S0		—	50.5(1.988)	88.0(3.465)	33.5(1.319)	35.5 (1.398)	37.6 (1.480)	28.0 (1.102)	4.5 (.177)	YF-1 YET-300-1 YET-300N	5
	12/16	8	325-8	UL Ⓢ	8.4 (.331)	50.5(1.988)	88.0(3.465)	33.5(1.319)						
	3/8	10	325-10	UL Ⓢ	10.5 (.413)	50.5(1.988)	88.0(3.465)	33.5(1.319)						
	7/16	11	325-11	UL Ⓢ	11.5 (.453)	50.5(1.988)	88.0(3.465)	33.5(1.319)						
	7/16	12	325-12	UL Ⓢ	13.0 (.512)	50.5(1.988)	88.0(3.465)	33.5(1.319)						
	1/2	14	325-14	UL Ⓢ	15.0 (.591)	50.5(1.988)	88.0(3.465)	33.5(1.319)						
	5/8	16	325-16	UL Ⓢ	17.0 (.669)	50.5(1.988)	88.0(3.465)	33.5(1.319)						
	3/4	20	325-20	UL Ⓢ	21.0 (.827)	50.5(1.988)	105.7(4.161)	45.0(1.772)						
	11/16	18	325-M18	UL Ⓢ	19.0 (.748)	50.5(1.988)	94.2(3.709)	33.5(1.319)						
	—	—	325-L0		—	50.5(1.988)	105.7(4.161)	45.0(1.772)						
	5/16	8	325-L8	UL Ⓢ	8.4 (.331)	50.5(1.988)	105.7(4.161)	45.0(1.772)						
	3/8	10	325-L10	UL Ⓢ	10.5 (.413)	50.5(1.988)	105.7(4.161)	45.0(1.772)						
	7/16	12	325-L12	UL Ⓢ	13.0 (.512)	50.5(1.988)	105.7(4.161)	45.0(1.772)						
	5/8	16	325-L16	UL Ⓢ	17.0 (.669)	50.5(1.988)	105.7(4.161)	45.0(1.772)						
	5/8	16	R325-16	UL Ⓢ Ⓢ	17.0 (.669)	50.5(1.988)	94.2(3.709)	33.5(1.319)						
	11/16	18	R325-18	UL Ⓢ Ⓢ	19.0 (.748)	50.5(1.988)	105.7(4.161)	45.0(1.772)						
	3/4	20	R325-20	UL Ⓢ Ⓢ	21.0 (.827)	50.5(1.988)	105.7(4.161)	45.0(1.772)						
	7/8	22	R325-22	UL Ⓢ Ⓢ	23.0 (.906)	50.5(1.988)	105.7(4.161)	45.0(1.772)						
	15/16	24	R325-24	UL Ⓢ Ⓢ	25.0 (.984)	50.5(1.988)	105.7(4.161)	45.0(1.772)						
	1	27	R325-27	UL Ⓢ Ⓢ	28.0(1.102)	50.5(1.988)	105.7(4.161)	45.0(1.772)						

Note:1) Products with the JIS mark Ⓢ conform to JIS C2805.
 2) Part numbers containing "S0" or "L0" do not have stud holes.