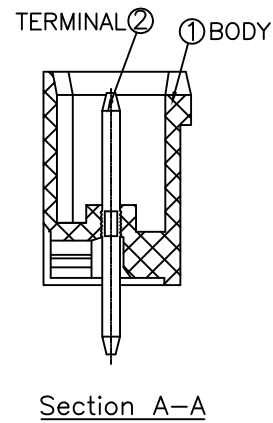
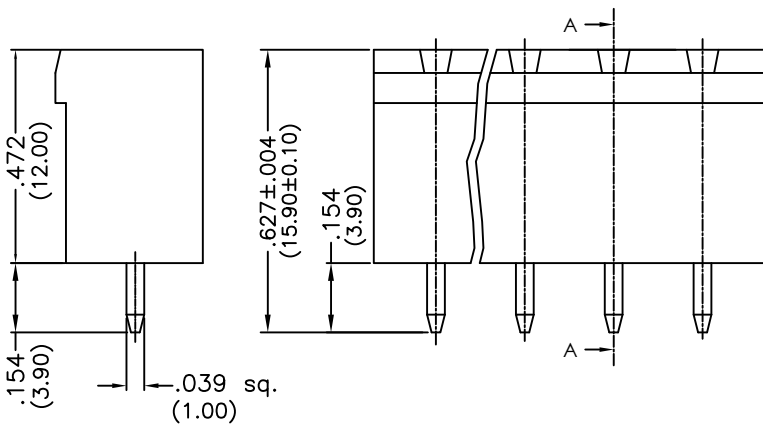
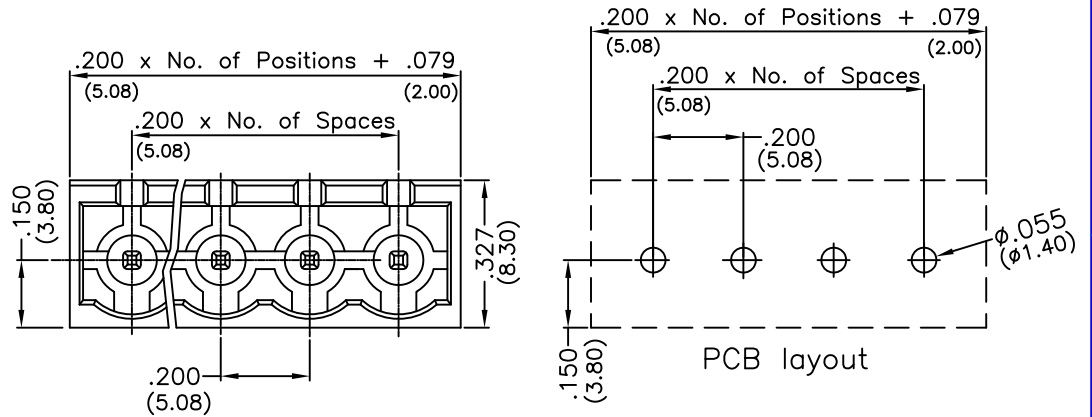


# Major League Electronics .200 cl Pluggable Header Terminal Blocks



## Ordering Information

TBPH-00-**200** - **XX** - **XX** - **LF**

Pitch  
200 = .200 (5.08) cl

No. of Positions  
02 - 24

Lead Free

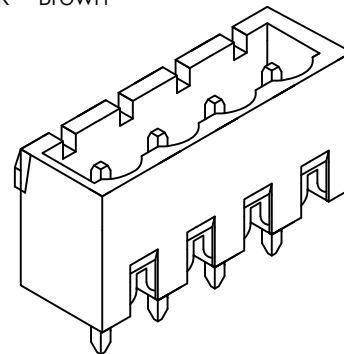
- Color
- GR = Green (Standard)
  - BK = Black
  - BL = Blue
  - WH = White
  - GY = Grey
  - OR = Orange
  - YW = Yellow
  - RD = Red
  - BR = Brown

## Specifications

- Current Rating: 10 Ampere
- Voltage Rating: AC 250V
- Dielectric Withstanding Voltage: AC 2500V/1 minute
- Insulation Resistance: DC 500V 500MΩ
- Operating Temperature: -33°C to + 105°C

## Materials

1. Body: PA66 (Nylon), UL94 V-0
2. Terminal: Brass, Tin Plated



Mates With:  
TBPS-00-200-XX-XX-LF

Parts are subject to change without notice

TBPH-00-200-XX-XX-LF

.200cl Pluggable Header Terminal Block  
Non-Interlock

14 NOV 08

Scale  
NTS

UNLESS OTHERWISE SPECIFIED  
DIMENSIONS IN INCHES (MM)  
TOLERANCES IN INCHES:

ONE DECIMAL PLACE ±0.30  
TWO DECIMAL PLACE ±0.20  
THREE DECIMAL PLACE ±0.15  
FOUR DECIMAL PLACE ±0.10



4235 Earnings Way, New Albany, Indiana, 47150, USA  
1-800-782-3486 (USA/Canada/Mexico)  
Tel: 812-944-7244  
Fax: 812-944-7268  
E-mail: mle@mlelectronics.com  
Web: www.mlelectronics.com

Revision  
B

Sheet  
1/2

# Revisions

Revision B - (23rd Mar 2010)

Side view added

TBPH-00-200-XX-XX-LF

.200cl Pluggable Header Terminal Block  
Non-Interlock

14 NOV 08

Scale  
NTS

UNLESS OTHERWISE SPECIFIED  
DIMENSIONS IN INCHES (MM)  
TOLERANCES IN INCHES:

ONE DECIMAL PLACE ±0.30  
TWO DECIMAL PLACE ±0.20  
THREE DECIMAL PLACE ±0.15  
FOUR DECIMAL PLACE ±0.10



4235 Earnings Way, New Albany, Indiana, 47150, USA  
1-800-782-3486 (USA/Canada/Mexico)  
Tel: 812-944-7244  
Fax: 812-944-7268  
E-mail: [mle@mlelectronics.com](mailto:mle@mlelectronics.com)  
Web: [www.mlelectronics.com](http://www.mlelectronics.com)

Revision  
B

Sheet  
2/2