

A 97, !%L!LL!LL!8J!LL

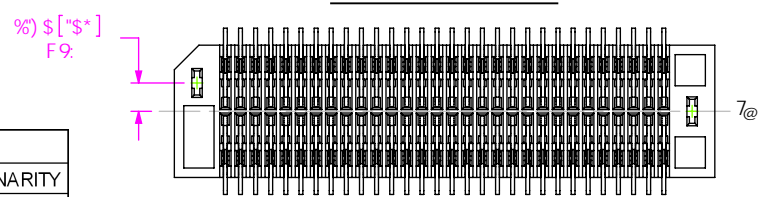
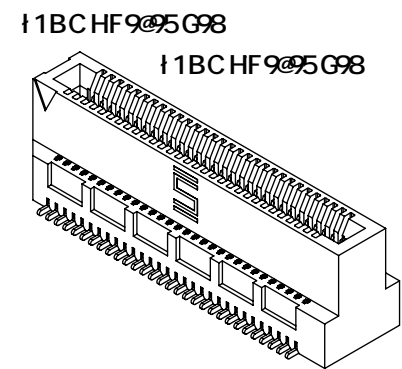
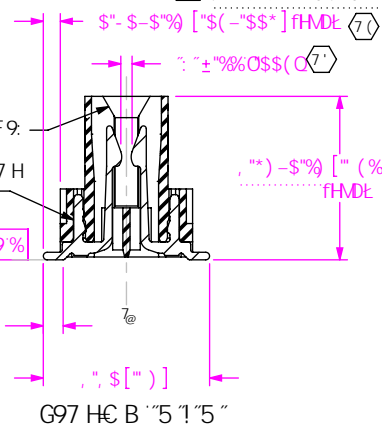
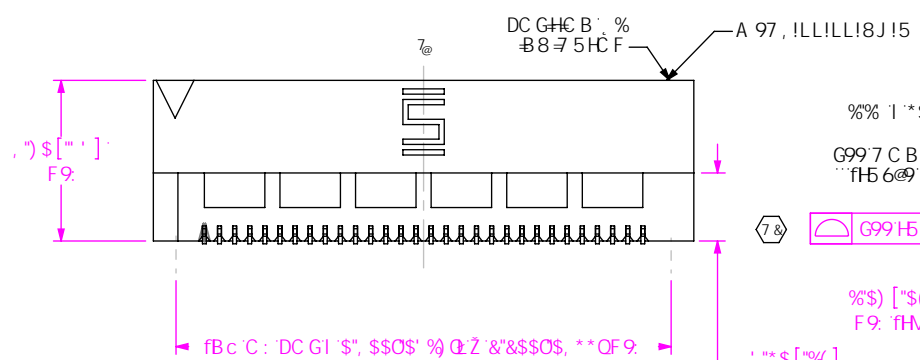
Bc C: DC GHC BG
!%SZ!&SZ! \$Z!') Z!(\$Z
(!) Z!) \$Z!* \$Z!+\$

75F8 Hk-7?B9CG
!\$% %a a OS' -QH-7?75F8
!\$& %) +a a OS*&QH-7?75F8

C DHC B
!5.5 @ BA 9BHD BG
.....fi G9A 97, ILL!LL!8J!5L
!@. @C 7?-B: 7 @D
.....fi G9@! \$! HA L
!?: DC @MA -89: @A D58
.....fi G9?!8C H'&H! " %! \$!) fG99: = " " L
!H. H5D9/ F99@

FCK @97 =75HC B
!8J. 815 @J 9FH7 5@
.....fi G9A 97, ILL!LL!8J!LL

D@HB; 'GD97 =75HC B
!@ @ <HG9@7 HJ 9; C @ ! \$% fi G97!% -!LL!@
!\$& fi G97!% &LL!@
!G G9@7 HJ 9; C @ ! \$% fi G97!% -!LL!@
!\$& fi G97!% &LL!@
!@A. @ <HG9@7 HJ 9; C @ #A 5H@HB ! \$% fi G97!% -!LL!@
!\$& fi G97!% &LL!@
!GA. G9@7 HJ 9; C @ #A 5H@HB ! \$% fi G97!% -!LL!@
!\$& fi G97!% &LL!@
!H 17. 9@7 HFC!DC @G< 98 G9@7 HJ 9! \$% fi G97!% -!LL!7 L
!\$& fi G97!% &LL!7 L



CF DC GHC BG!%SZ!&SZ! \$Z! / ')
fG<C K B. A 97, !% \$!\$%LL!8J!LL 5GBC H98L

89G- B98 / 8-A 9BGC B98
B A @A 9HFG
fB7 <9G: CF F9. 9F9B79CB@M

TABLE 1

No Of POS	COPLANARITY
-10 THRU -50	0.102 [.0040]
-60 & -70	0.152 [.0060]

TABLE 4

CARD	"E"	"F"	BODY	CONTACT
-01	1.20[.047]	.50[.020]	MEC8-XX-01-DV-XX	C-199-01-XX
-02	1.80[.071]	1.00[.039]	MEC8-XX-02-DV-XX	C-182-02-XX

BC H@G
% (Z) F9DF 9G9B HG5 7 F+H7 5@8-A 9BGC B"
& "6I FF 5 @C K 5B7 9. "\$\$(OS\$%) OA 5L"
"A B-A I A "DI G-C I H: C F 7 9. ") @
(" 5 GG9A 6@9HC 69D5 7 ? 5; 98 -B HF5MGI B @GG
" " !H C DHC B GGD97 = 98"

!@ ' C DHC B G<C K B

I B @GG C H: 9FK @9 GD97 = 98Z
8-A 9BGC BG5F9 B A A "
HC @F5B7 9G 5F9.
897 A 5@G5 B; @G
"LL. ± " OS%Q& "
"LLL. ± " OS\$) O
"LLLL. ± \$) %OS\$&SO

DFC DF-9H5FMBC H@
H: @8C 71A 9B H7 C B H 8 G: CFA 5HC B
7 C B: @9B H 5 @5 B 8 DFC OF 9H5 FMC
G5A H7 Z 4 B 7 5 B 8 G: 5 @B C H 6 9 F 90C 81 7 9 8
C F H 5 B G 9 F 9 8 H C C H: 9 F 8 C 71 A 9 B H G C F
8 4 7 @C 9 8 H C C H: 9 F G C F I 9 8 : C F 5 B M
DI FDC 9 C H: 9 F H 5 B H 5 H K < 7 < H K 5 G
C 6 H 8 9 8 K H C I H H: 9 9 L D F 9 9 9 8 K F H 9 8
7 C B 9 8 H C: G5A H7 Z 4 B 7 "

A 5H@5@ 8C "BCH G7 5@9 8F5K B: G: 99H7 5 @9. %\$ ("
B G @HC F. @D
.....! \$% 7 C @ F. B5H F5@
.....! \$% 7 C @ F. 6@5 7?
7 C B H 5 7 H D < C G 6 F C B N@

89G7 F @HC B.
\$, a a 81 5 @J 9FH7 5 @A C I B H A B # 9 8; 9 7 5 F 8 5 G 9 A 6 @M
8K: "BC"
A 97, !%L!LL!LL!8J!LL
6M 7 < 5 8: \$ (# \$ - # & \$ \$ & G < 9 9 H % C : &

Samtec
1000 North Central Expressway
P.O. Box 15000
Atlanta, GA 30316
(404) 875-1200
www.samtec.com

