

SPECIFICATIONS

Mechanical

Unmating Force with FPC/FFC: 0.300 Kgf min.
Durability: 30 Cycles

Electrical

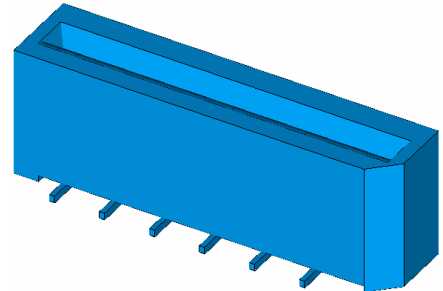
Current Rating: 0.5A DC
Contact Resistance: 50mΩ Max. (initial) , 100mΩ Max. (after)
Dielectrical Withstanding Voltage: 500V AC/1 min
Insulation Resistance: 500 MΩ/min.

Physical

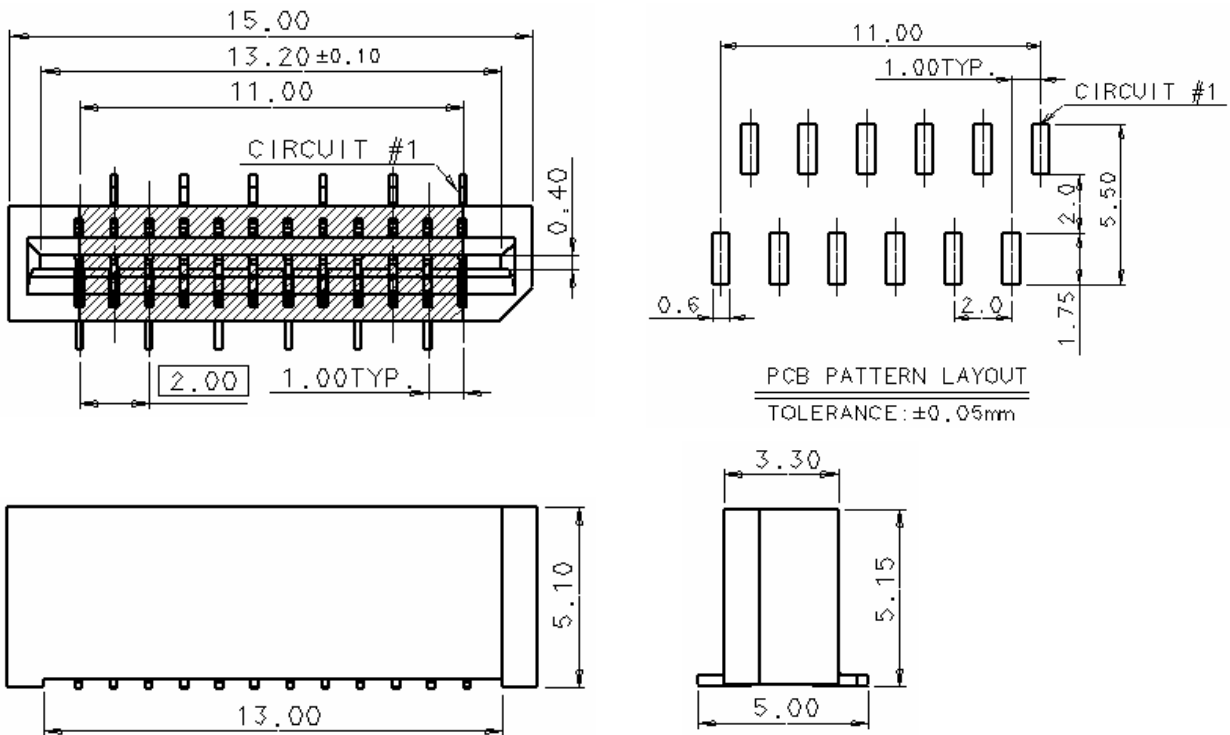
Housing: Thermoplastic, UL 94V-0 rated in Natural Color
Contact: Copper alloy
Plating: Nickel Base Plating
 Tin Plating on Contact Area
Operating Temperature: -40°C to +85°C

FPC/FFC Connector

GB72 Series
1.0mm [.039"] Pitch
LIF Type
12Pos.



DRAWING



ORDERING INFORMATION

GB72120-26511-8F

PITCH: 7=1.0mm
 2= VERTICAL INSERTION
 POS. NO.: (N)12=12POS
 CONTACT AREA PLATING:
 0=TIN PLATING
 1=GOLD PLATING

LEAD FREE CODE:
 F=LEAD FREE
 8=TAPE&REEL WITH PI-FILM
 EXTENTION CODE
 PROFILE HEIGHT: 51=5.15mm
 LIF STRUCTURE: 6=SINGLE SIDE
 SOLDER TAIL:
 2=DUAL ROW WITH TIN PLATING
 3=DUAL ROW WITH GOLD PLATING