

**SPECIFICATIONS**

**Mechanical**

**Contact Retention Force:** 1.00Kg (2.2Lb) min.  
**Durability:** 250 Cycles

**Electrical**

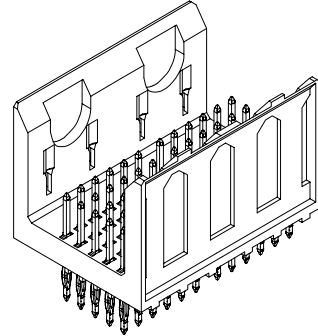
**Voltage Rating:** 750V  
**Current Rating:** 1A  
**Contact Resistance:** 50mΩ max.  
**Dielectrical Withstanding Voltage:** 1000V  
**Insulation Resistance:** 1000MΩ min.

**Physical**

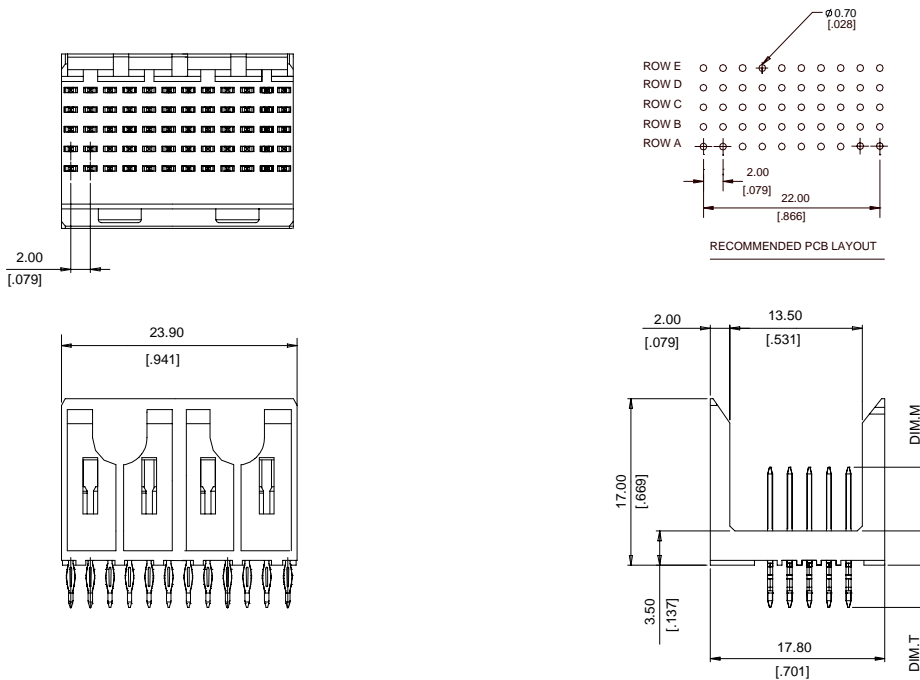
**Housing:** LCP, UL 94-0 rated, Ivory White  
**Contact:** Phosphor Bronze  
**Plating:** See "ORDERING INFORMATION"

**FUTURE BUS CONNECTOR**

**1F Series**  
**Plug, Press Fit Type**  
**2.0mm [.078"] Pitch**  
**5 Rows**



**DRAWING**



**ORDERING INFORMATION**

PRODUCT NO.: 1 F 2 1 0 6 0 5 - P \* \* 2

MATING AREA PLATING  
5:45u"Au Min

MATING PIN TYP.  
2: SELECTIVE PIN TYPE

SELECTIVE PIN PATTERN

PRODUCT NUMBER	CONFIGURATION												
	1	2	3	4	5	6	7	8	9	10	11	12	
1F210605-P012	E	11	11	11	11	11	11	11	11	11	11	11	11
	D	15	15	15	15	15	15	15	15	15	15	15	15
	C	11	11	11	11	11	11	11	11	11	11	11	11
	B	15	15	15	15	15	15	15	15	15	15	15	15
	A	11	11	11	11	11	11	11	11	11	11	11	11

CODE	KEY DIMENSIONS	
	DIM "N"	DIM "M"
	11	4.30
12	4.30	5.75
13	4.30	6.50
14	4.30	7.25
15	4.30	8.00