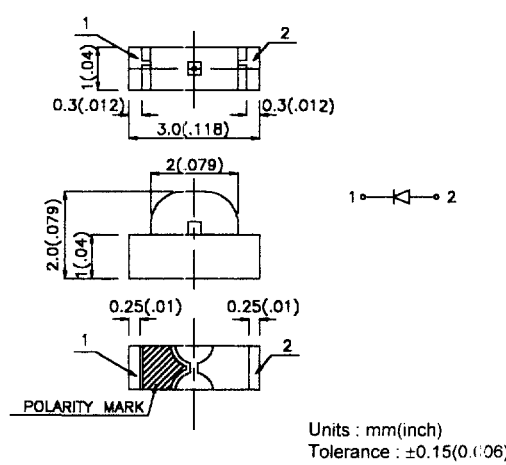
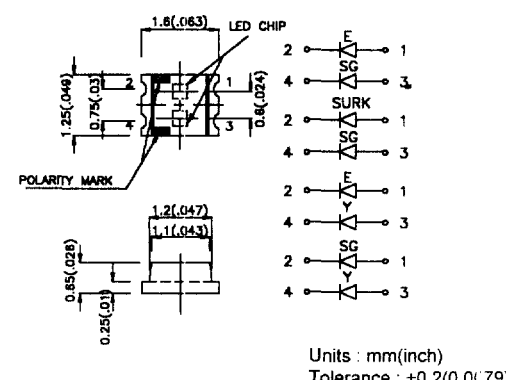


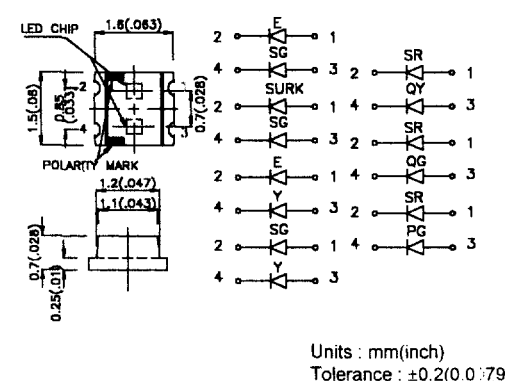
Part No.	Emitting Color + Material	Wave-length (nm)	Lens Type	Iv (mcd) @20mA		Viewing Angle	Dimension
				Min.	Typ.		
APA3010HD	GaP	700	red diffused	0.8	1.2	120°	3.0mm x 1.0mm x 2mm (1104 Right Angle)
APA3010HC	GaP	700	water clear	0.8	1.2	120°	
APA3010ID	GaAsP/GaP	625	red diffused	5	12	120°	
APA3010EC	GaAsP/GaP	625	water clear	5	12	120°	
APA3010NC	GaAsP/GaP	610	water clear	5	12	120°	
APA3010SGD	GaP	565	green diffused	3	12	120°	
APA3010QYC	GaP	565	water clear	3	12	120°	
APA3010QGC	GaP	560	water clear	3	12	120°	
APA3010PGC	GaP	555	water clear	2	5	120°	
APA3010YD	GaAsP/GaP	590	yellow diffused	3	8	120°	
APA3010YC	GaAsP/GaP	590	water clear	3	8	120°	
APA3010PYC	GaAsP/GaP	580	water clear	3	8	120°	
APA3010SRDPRV	GaAlAs	660	red diffused	40	70	120°	
APA3010SRCPRV	GaAlAs	660	water clear	40	70	120°	
APA3010SURC	InGaAlP	640	water clear	100	300	120°	
APA3010SURCK	InGaAlP	640	water clear	80	200	120°	
APA3010SEC	InGaAlP	610	water clear	100	300	120°	
APA3010SEW	InGaAlP	610	white diffused	100	300	120°	
APA3010SECK	InGaAlP	610	water clear	80	200	120°	
APA3010SEWE	InGaAlP	630	white diffused	80	200	120°	
APA3010SYC	InGaAlP	590	water clear	40	60	120°	
APA3010SYW	InGaAlP	590	white diffused	40	60	120°	
APA3010SYCK	InGaAlP	590	water clear	30	60	120°	
APA3010MBC	GaN	430	water clear	3	8	120°	
APA3010PBC	InGaN	468	water clear	30	45	120°	



APT1612ESGC	GaAsP/GaP	625	water clear	5	12	120°	1.6mm x 1.2mm x 0.65mm (0605 Bi-Color)
	GaP	565		3	12		
APT1612SURKSGC	InGaAlP	640	water clear	80	150	120°	
	GaP	565		3	12		
APT1612EYC	GaAsP/GaP	625	water clear	5	12	120°	
	GaAsP/GaP	590		3	8		
APT1612SGYC	GaP	565	water clear	3	12	120°	
	GaAsP/GaP	590		3	8		



APT1615ESGC	GaAsP/GaP	625	water clear	5	12	120°	1.6mm x 1.5mm x 0.7mm (0606 Bi-Color)
	GaP	565		3	12		
APT1615SRQYWPR	GaAlAs	660	white diffused	30	80	120°	
	GaP	565		3	12		
APT1615SRQGWPR	GaAlAs	660	white diffused	30	80	120°	
	GaP	560		3	12		
APT1615SRPGWPR	GaAlAs	660	white diffused	30	80	120°	
	GaP	555		2	5		
APT1615SURKSGC	InGaAlP	640	water clear	80	150	120°	
	GaP	565		3	12		
APT1615EYC	GaAsP/GaP	625	water clear	5	12	120°	
	GaAsP/GaP	590		3	8		
APT1615SGYC	GaP	565	water clear	3	12	120°	
	GaAsP/GaP	590		3	8		



**NOTE :**

1. AP series custom-made is available upon request.