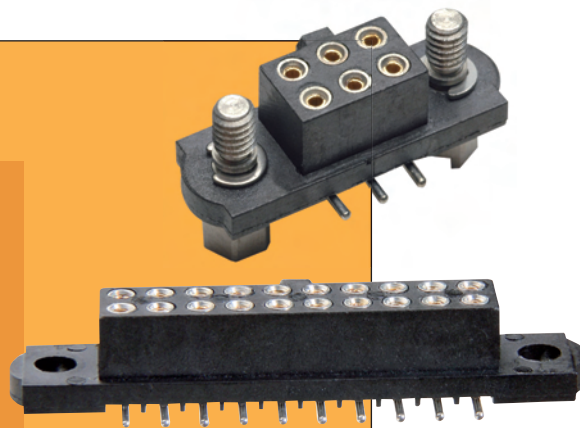


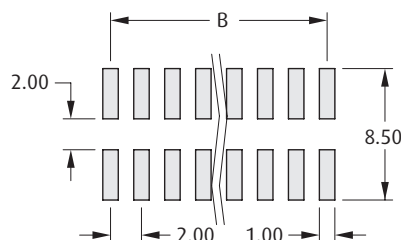
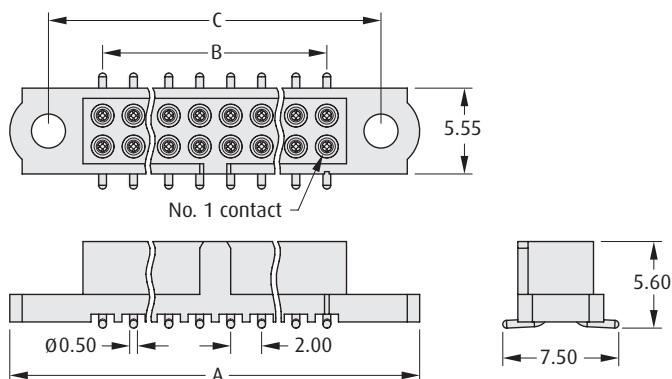
Datamate Connectors

Female Vertical Surface Mount

- ❖ Optional pick and place cap.
- ❖ Contact datamate@harwin.com for tape and reel options.
- ❖ Gull wing SMT tails simplify inspection process.
- ❖ Mates with male connectors shown on pages 34-40 and 42-43.



WITHOUT JACKSCREWS

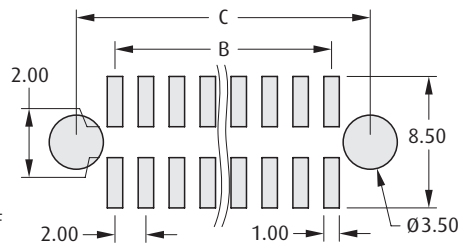
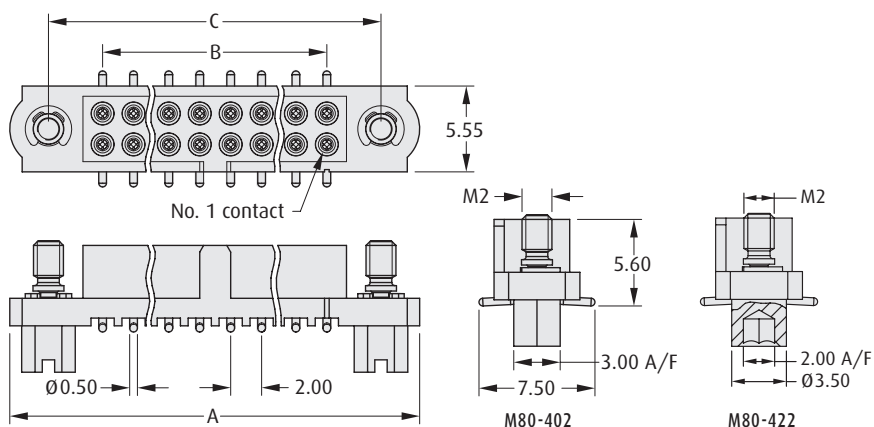


Recommended PC Board Pattern

CALCULATION

A	B + 12
B	Total No. of contacts - 2
C	B + 7

WITH JACKSCREWS



Recommended PC Board Pattern

HOW TO ORDER

M80 - 4 X 2 XX XX P

SERIES CODE

TYPE

0	With Hex slotted jack screws
1	Without Jack screws
2	With Hex Socket jack screws

TOTAL NO. OF CONTACTS

04 to 50

Even numbers only

PICK AND PLACE CAP

BLANK	No cap
P	Pick and place cap

FINISH

01	Gold + Tin/Lead	
05	Gold	
42	Gold + Tin	

All dimensions in mm.

www.harwin.com

