



Commercial CCT-38

Multi-Throw Internal Terminations DC-18GHz

Normally Open

The CCT-38 Switch is an internally terminated, broadband, multi-throw, electromechanical coaxial switch designed to switch a microwave signal from a common input to any of 3, 4, 5, or 6 outputs. The characteristic impedance is 50 Ohms. Internal terminations provide an impedance match for the unselected ports. The switches are small using the popular connector spacing on a 1.062" dia. circle. Each position has an individual actuator mechanism allowing random position selection. This also minimizes switching time.

Specifications

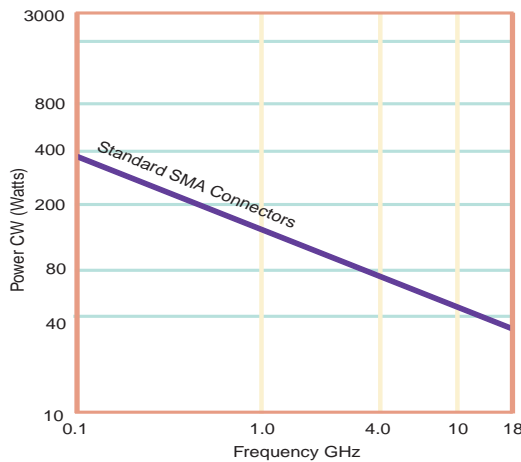
RF Contacts:	Break before make			
Actuator	Voltage (VDC) 20°C	12	15	28
	Current (mA)	170	136	180
Switching Time:	15 msec max			
Terminations:	50 Ohm 2 Watts CW max			
Connectors:	SMA (f)			
Weight:	6 oz. max			
Temperature Range:	-40°C to +65°C (Operating)			
Shock:	MIL-STD-202 Method 213, Condition D (500G Non Operating)			
Vibration:	MIL-STD-202 Method 214, Condition D (10G RMS Non Operating)			
Humidity:	Moisture Seal Available			
Typical Contact Life:	5 Million Cycles			
RF Power Handling (Non-Terminated)				

The CCT-38 comes with a normally open actuator. For the normally open actuator, all ports are terminated in 50 Ohms, except the common input port which is open when the switch is de-energized.

Insertion Loss Repeatability (1 Million Cycles):

DC to 6 GHz: 0.05 dB

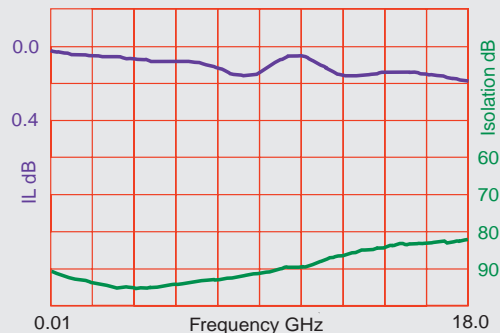
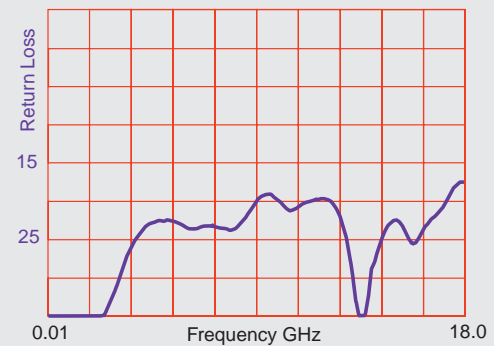
DC to 20 GHz: 0.1 dB



Specifications

	DC-6 GHz	6-12 GHz	12-18 GHz
VSWR (max)	1.25:1	1.40:1	1.50:1
Insertion Loss (min)	0.20 dB	0.40 dB	0.50 dB
Isolation (max)	70.0 dB	60.0 dB	60.0 dB

Typical Performance

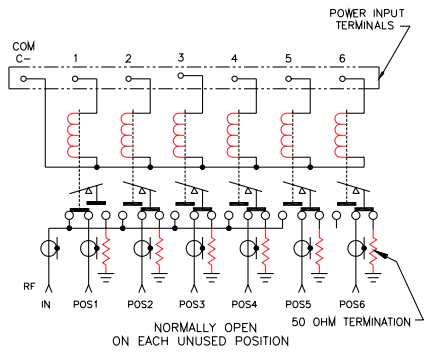


Specifications subject to change without notice.

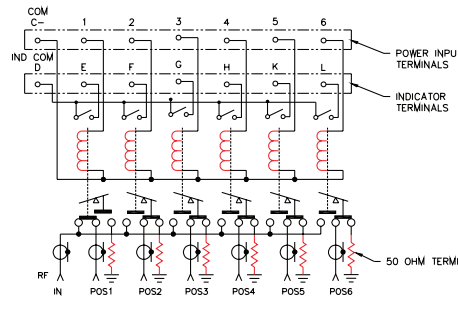
www.teledynecoax.com
email: coax@teledyne.com

Tel: (800) 351-7368
10/2007

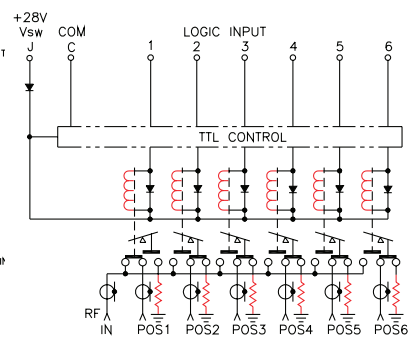
Commercial CCT-38 Multi-Throw Internal Terminations DC-18GHz Normally Open



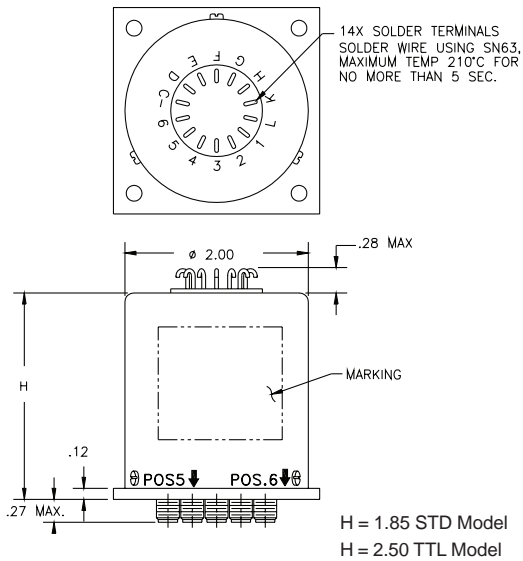
Analog



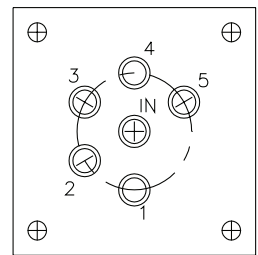
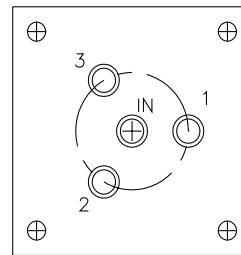
Indicators



TTL

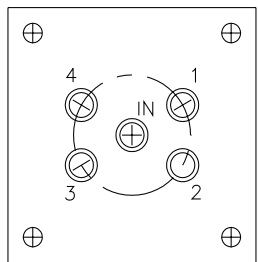
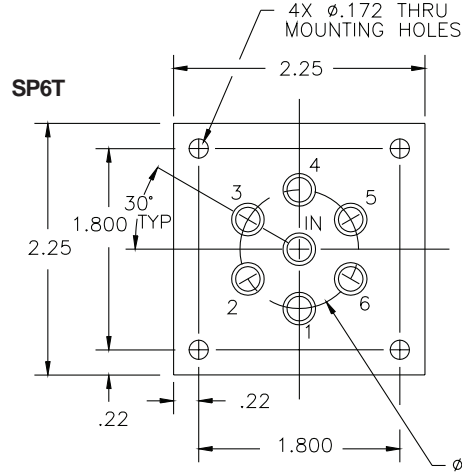


SP3T



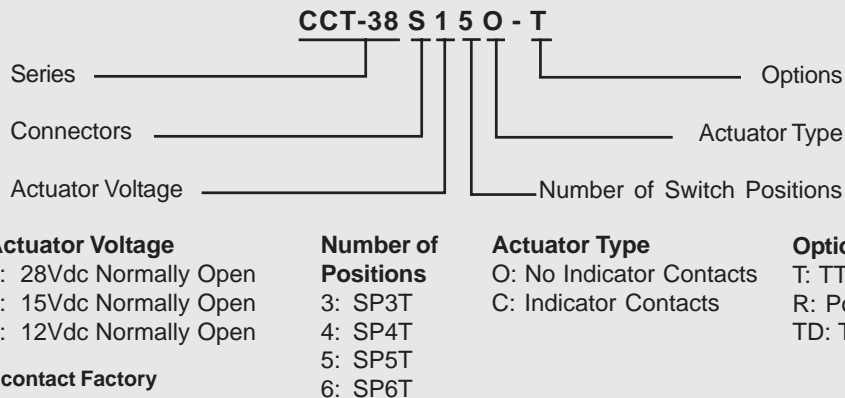
SP5T

SP6T



SP4T

Part Numbering System for CCT-38 (Normally Open)



For other options contact Factory



Specifications subject to change without notice.

www.teledynecoax.com
email: coax@teledyne.com

Tel: (800) 351-7368
10/2007