

SPECIFICATIONS

Mechanical

Contact Retention Force: 9.8N(1Kg) min.
Contact Mating Force: 28.8N (2.94Kg) max.
Contact Unmating Force: 4.9N (0.5Kg) min.
Durability: 5000 Cycles

Electrical

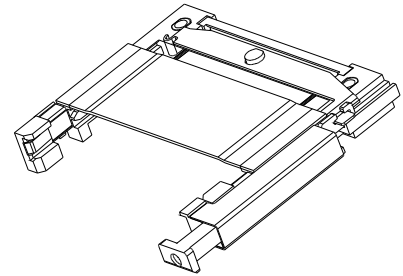
Current Rating: 0.5A max.
Contact Resistance: 40mW max.
Insulation Resistance: 1000MW min. (Initial)
Dielectric Withstanding Voltage: 500 V AC RMS

Physical

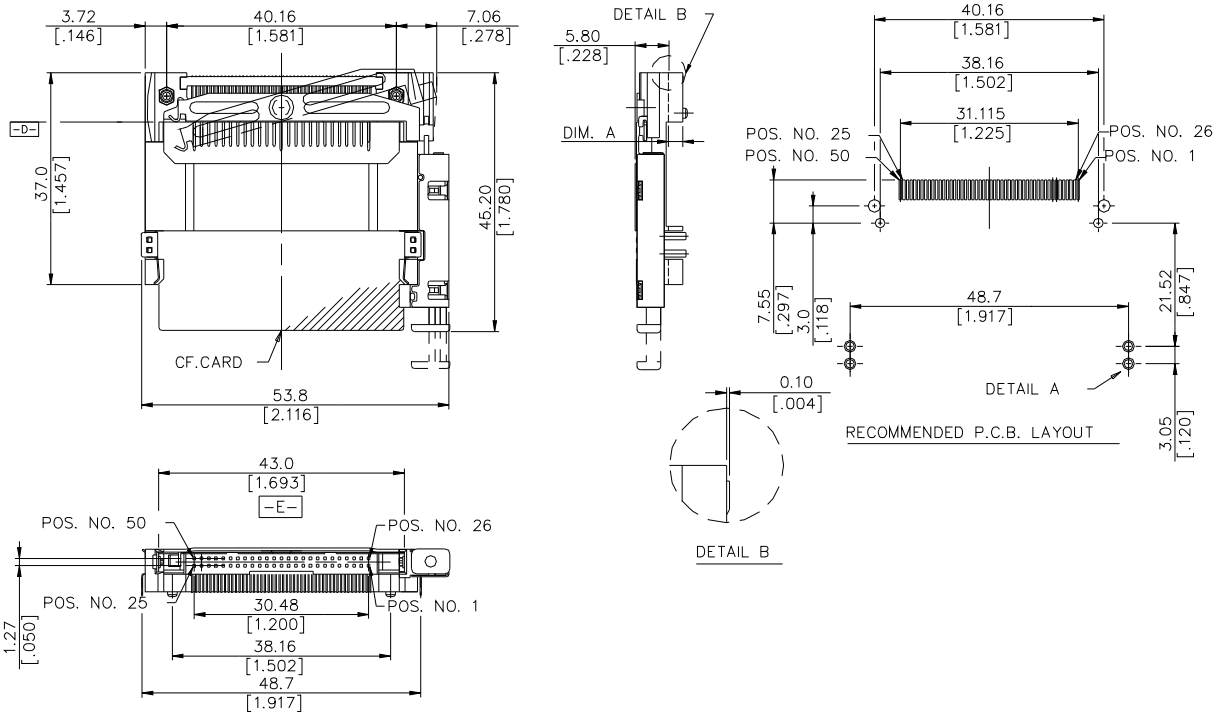
Housing: LCP, UL 94V-0 rated in Ivory Color
Push bar: LCP, UL 94V-0 rated in Black Color
Contact: Phosphor Bronze
Operating Temperature: -20°C to +60°C

CFA connector

1DA Series, 50 Pos.
SMT Type
1.27 mm [0.050"] Pitch



DRAWING



ORDERING INFORMATION

PRODUCT NO. : 1D A 6 * 6 * * - * * - * *

Product Family _____
 1D: CFA _____
 Ass'y product _____
 Voltage&Tail type _____
 6: 3.3V.SMT _____
 Deck type _____
 1: Normal type _____
 3: Reverse type _____
 Lever type _____
 6: Fixed arm for CFA _____

Extension Code _____
 (metal ear type)
 MT: T/H metal ear
 Push bar type
 TC: 2 step; M1: 1 step; WY: w/o ejector

Ejector type _____
 0: w/o ejector ; 1: right hand side; 2: left hand side

Stand off height _____
 0: 0mm; K: 1.6mm; G: 1.8mm; 2: 2.0mm; D: 2.2mm

1DA636D2-PA-MT	2.20 [.087]
1DA61622-TC-MT	2.00 [.079]
1DA636G1-M3-MT	1.80 [.071]
1DA63602-TC-MT	0.00 [.000]
P/N	DIM. A