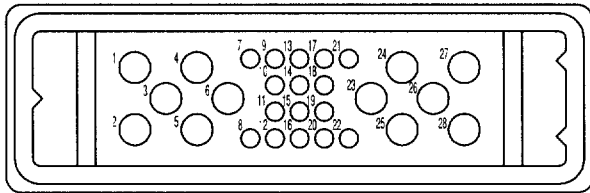
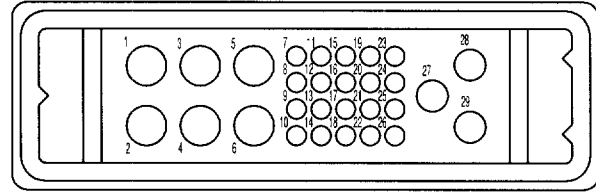


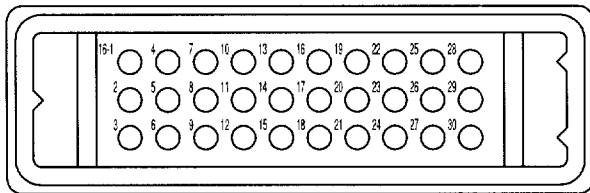
**FACE VIEW OF MALE OR REAR VIEW OF FEMALE**



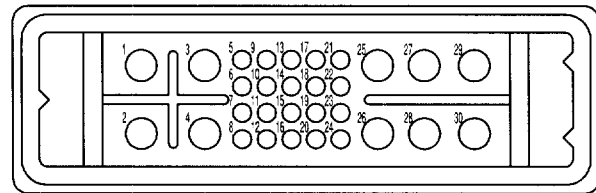
**MIP28W12 VARIANT**  
**12 Size 12 and 16 Size 20 Contacts**



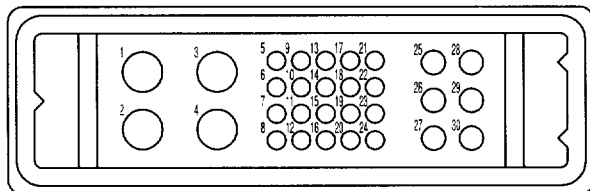
**MIP29W9 VARIANT**  
**3 Size 12, 20 Size 20, 6 Size 8 Contacts**



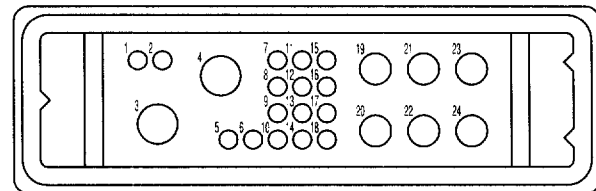
**MIP30 VARIANT**  
**30 Size 16 Contacts**



**MIP30WA10 VARIANT**  
**10 Size 12 and 20 Size 20 Contacts**



**MIP30WB10 VARIANT**  
**4 Size 8, 6 Size 16, 20 Size 20 Contacts**

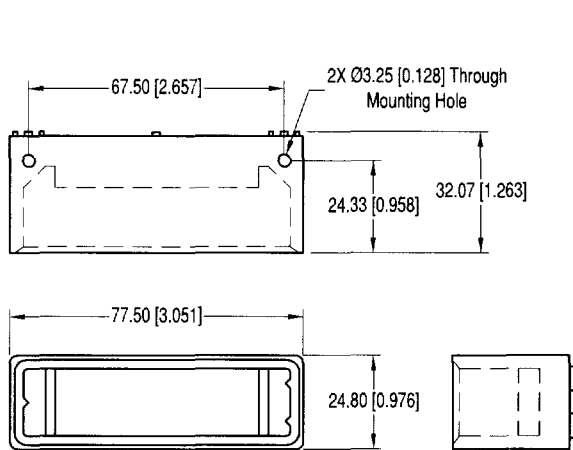


**MIP24W8 VARIANT**  
**2 Size 8 (High performance or standard see page 27), 6 Size 12, 16 Size 20 Contacts**

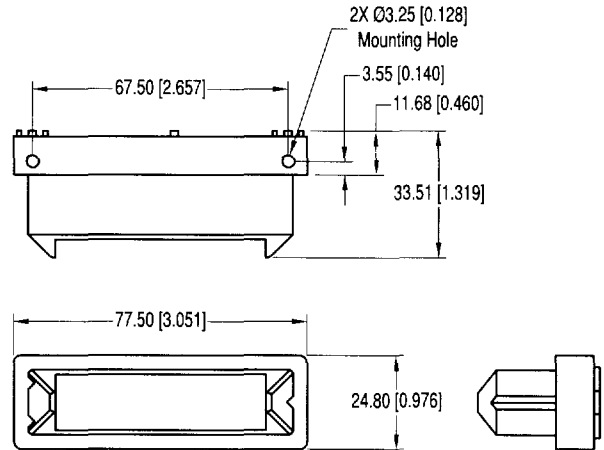
Only available for use with crimp contacts.

Refer to page 8 for Application Specific Arrangements.

**MIP CONNECTOR OUTLINE DIMENSIONS**

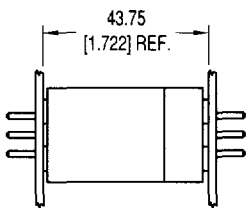


**Male Connector Dimensions**

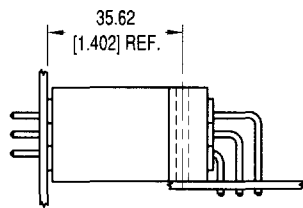


**Female Connector Dimensions**

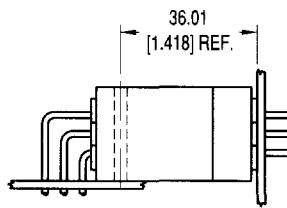
**MIP CONNECTOR MATING DIMENSIONS**



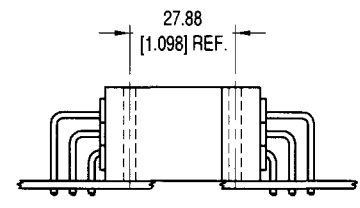
**Straight Board Mount  
or Panel Mount  
Female to Straight  
Board Mount or  
Panel Mount Male.**



**Right Angle Board  
Mount Female to  
Straight Board Mount  
or Panel Mount Male.**



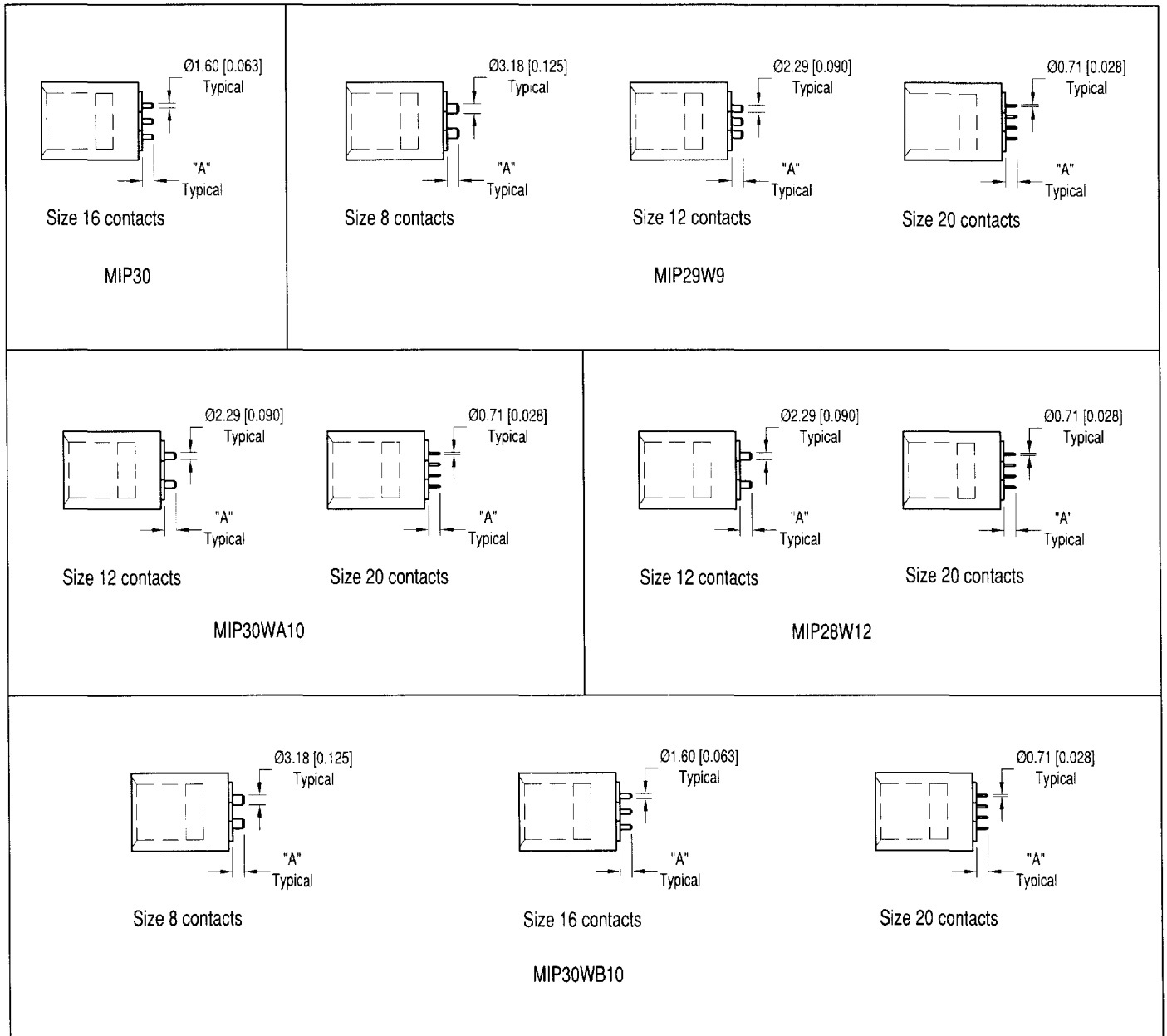
**Straight Board Mount  
or Panel Mount  
Female to Right  
Angle Board Mount  
Male.**



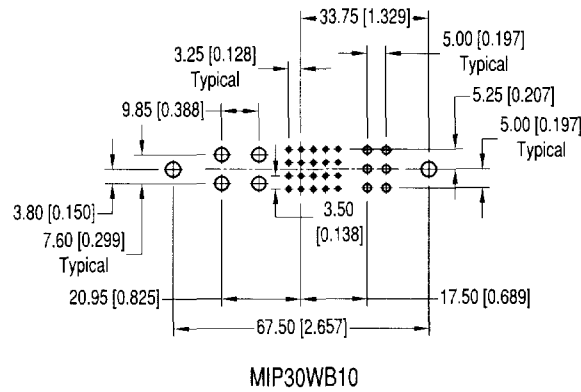
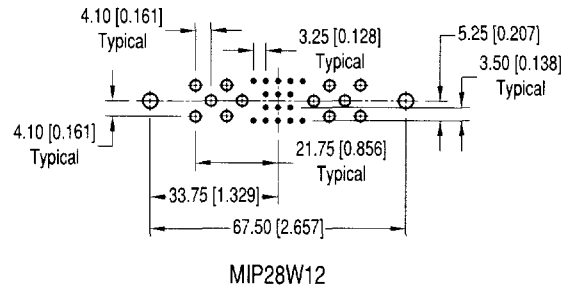
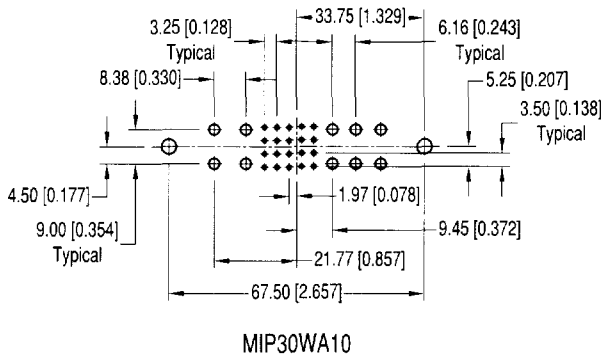
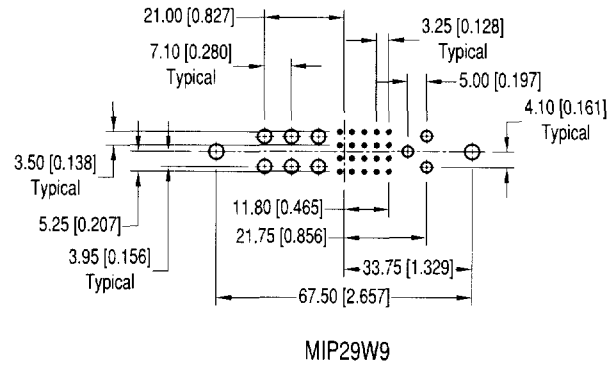
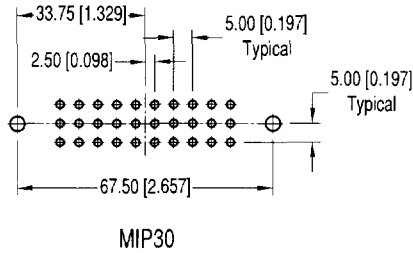
**Right Angle Board  
Mount Female to  
Right Angle Board  
Mount Male.**

CODE	"A" LENGTH
3	3.71 [0.146]
32	9.58 [0.377]

MALE CONNECTOR SHOWN  
FOR REFERENCE ONLY



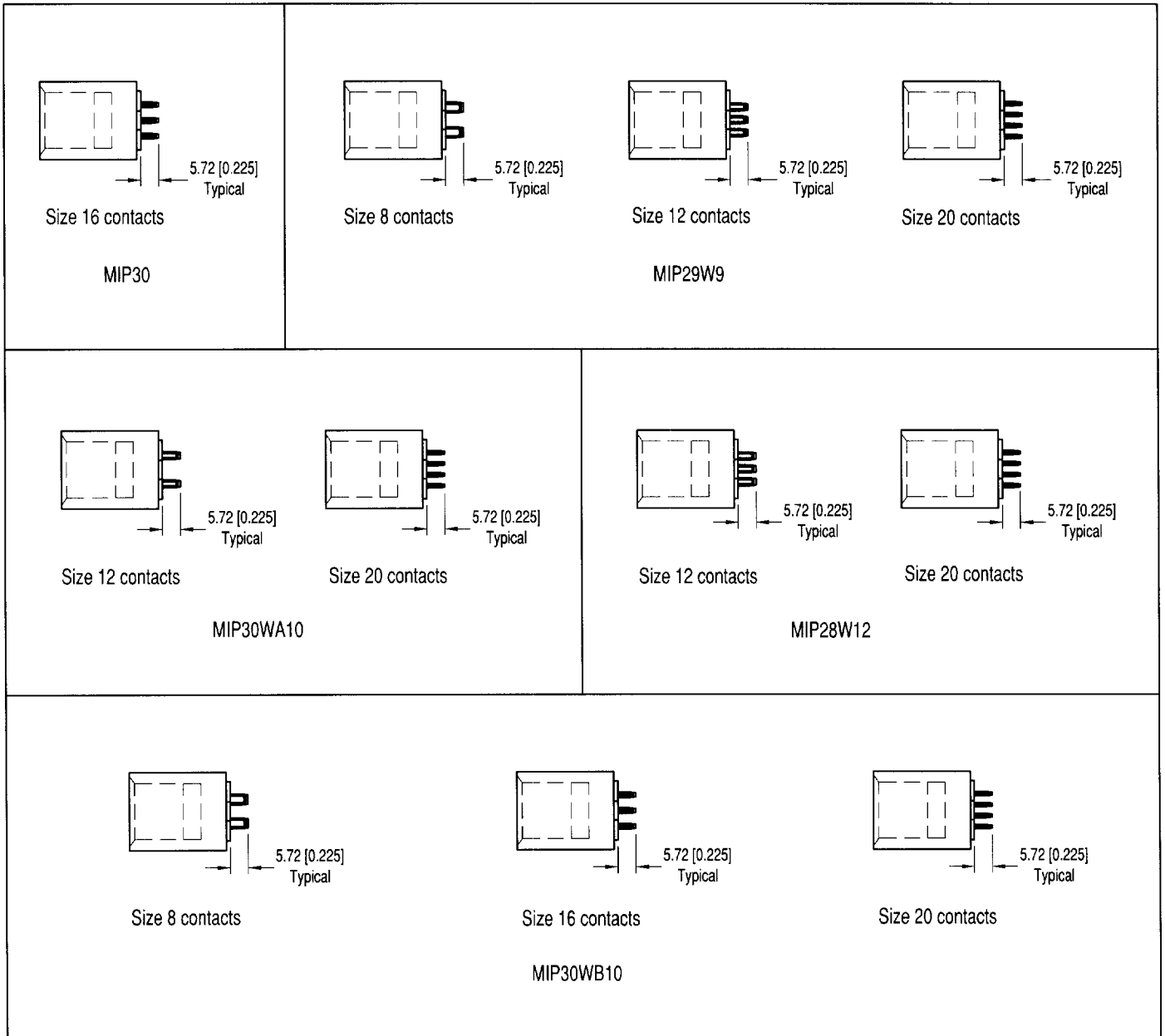
Hole pattern shown is for male connector; use mirror image for female connector.



Suggest  $\text{Ø}1.14$  [0.045] holes for size 20 straight contact holes.  
 Suggest  $\text{Ø}2.11$  [0.083] holes for size 16 straight contact holes.  
 Suggest  $\text{Ø}2.90$  [0.114] holes for size 12 straight contact holes.  
 Suggest  $\text{Ø}3.68$  [0.145] holes for size 8 straight contact holes.  
 Suggest  $\text{Ø}3.96 \pm 0.08$  [0.156  $\pm$  0.003] holes for connector mounting holes.

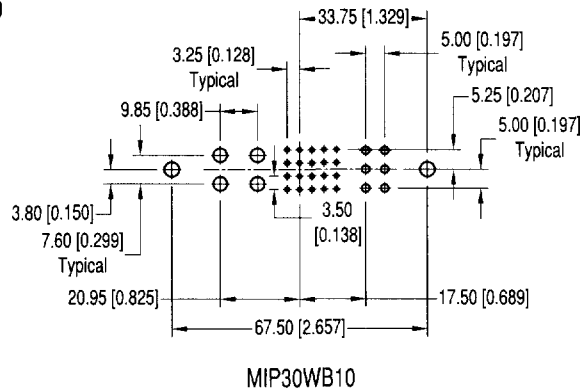
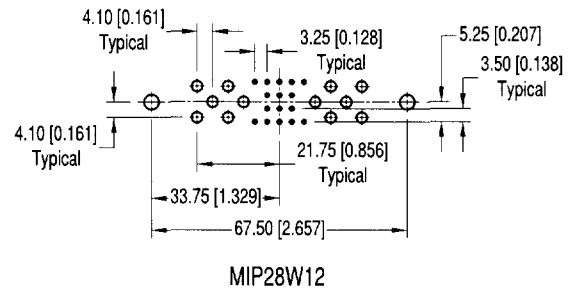
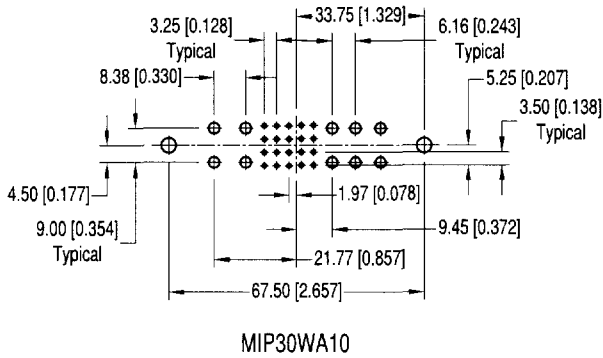
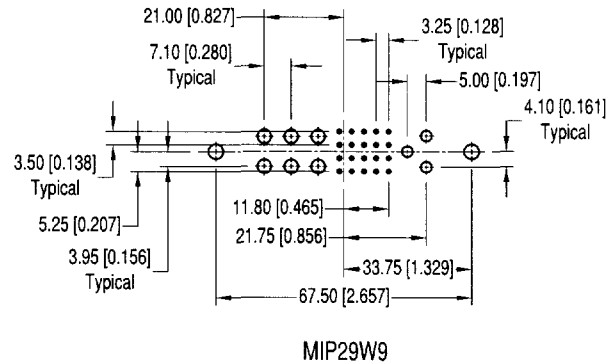
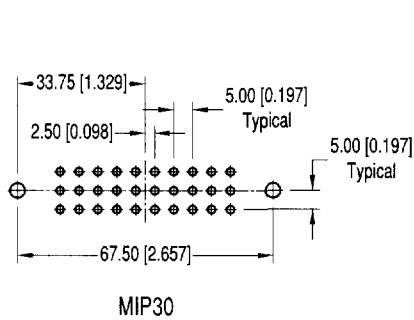
**CONTACT TERMINATION DIMENSIONS**

MALE CONNECTOR SHOWN FOR REFERENCE ONLY

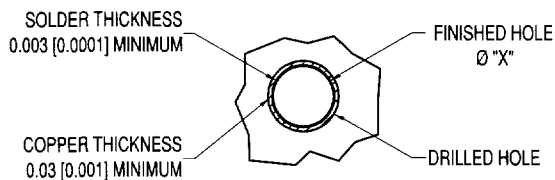


**DIMENSIONS ARE IN MILLIMETERS (INCHES).  
ALL DIMENSIONS ARE SUBJECT TO CHANGE.**

Hole pattern shown is for male connector; use mirror image for female connector.



**PRINTED BOARD  
CONTACT HOLE REQUIREMENT**



Suggest  $\text{Ø}3.96 \pm 0.08$  [0.156 ± 0.003] holes for connector mounting holes.

CONTACT SIZE	Ø "X"
8	3.02 ± 0.05 [0.119 ± 0.002]
12	2.39 ± 0.05 [0.094 ± 0.002]
16	1.600 + 0.090 - 0.060 [0.0630 + 0.0035 - 0.0024]
20	1.000 + 0.090 - 0.060 [0.0394 + 0.0035 - 0.0024]

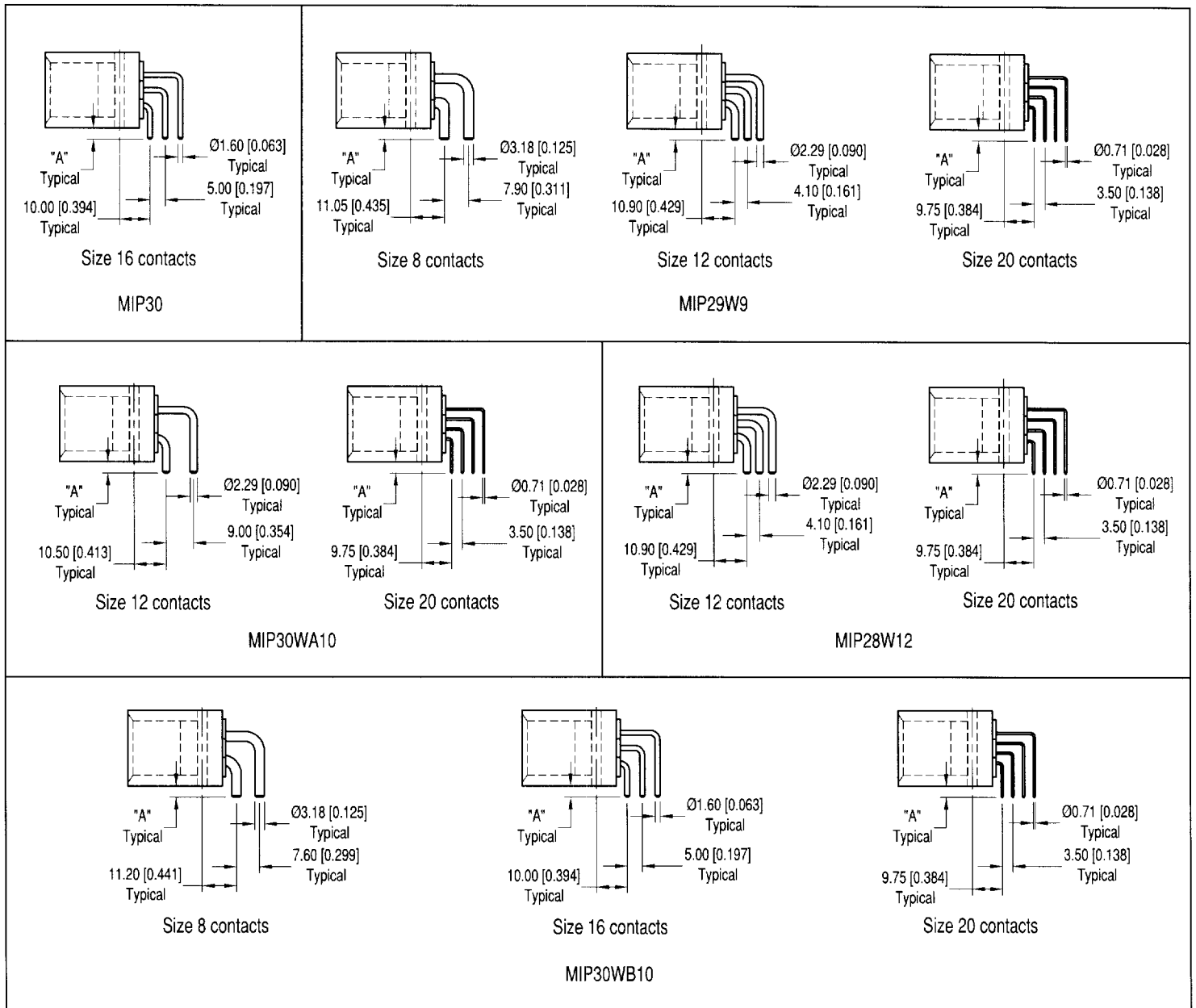
**MINI-INFINITY  
HIGH POWER  
CONNECTOR SERIES**

**MIP RIGHT ANGLE SOLDER  
BOARD MOUNT CONNECTORS**

**MINI-INFINITY  
HIGH POWER  
CONNECTOR SERIES**

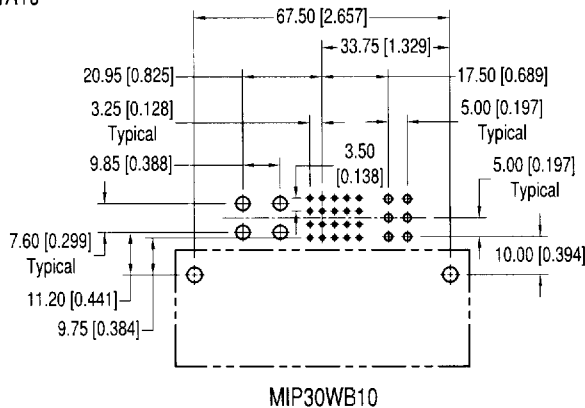
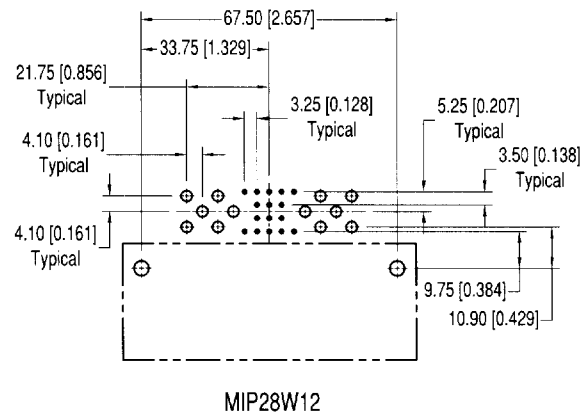
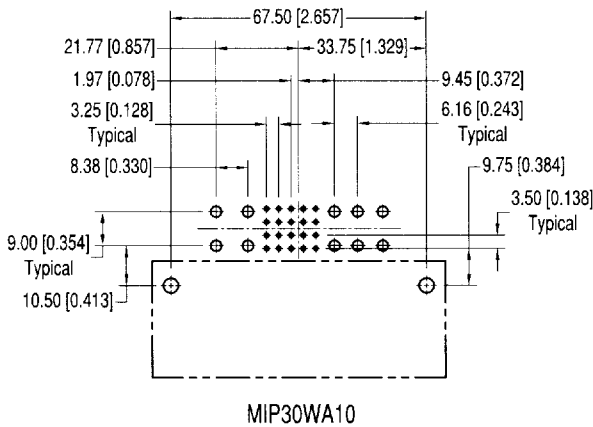
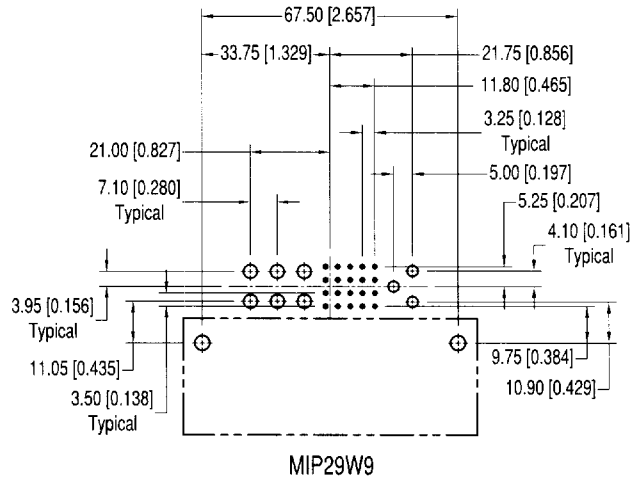
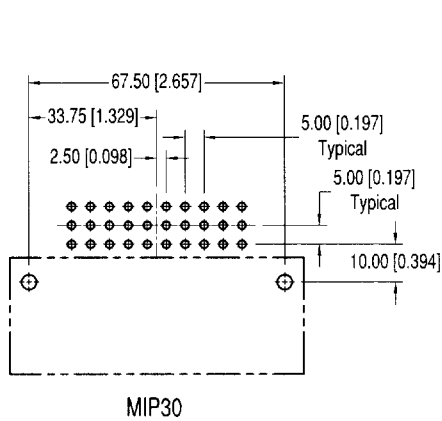
CODE	"A" LENGTH
4	3.71 [0.146]
42	9.58 [0.377]

MALE CONNECTOR SHOWN  
FOR REFERENCE ONLY



DIMENSIONS ARE IN MILLIMETERS (INCHES).  
ALL DIMENSIONS ARE SUBJECT TO CHANGE.

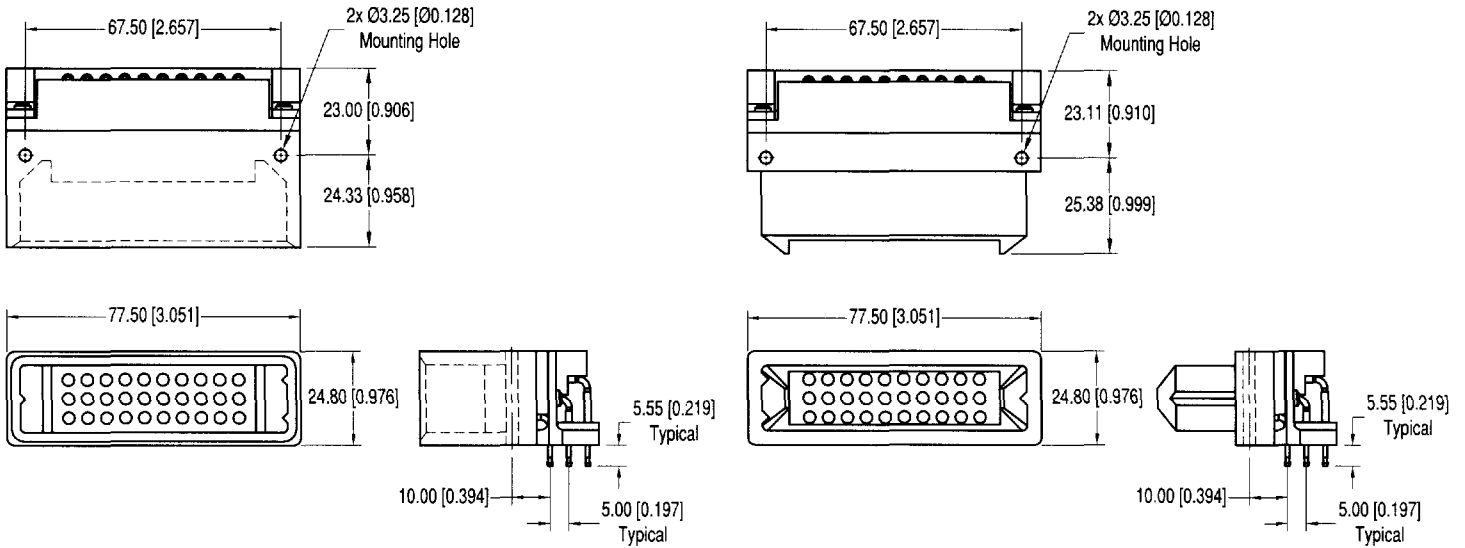
Hole pattern shown is for male connector; use mirror image for female connector.



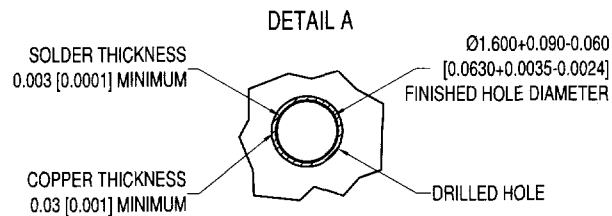
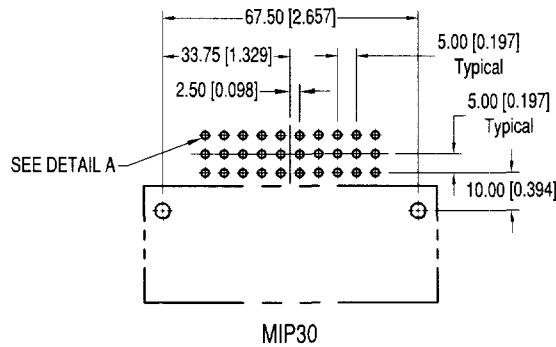
Suggest  $\varnothing 1.14$  [0.045] holes for size 20 contact holes.  
 Suggest  $\varnothing 2.11$  [0.083] holes for size 16 contact holes.  
 Suggest  $\varnothing 2.90$  [0.114] holes for size 12 contact holes.  
 Suggest  $\varnothing 3.68$  [0.145] holes for size 8 contact holes.  
 Suggest  $\varnothing 3.96 \pm 0.08$  [0.156  $\pm$  0.003] holes for connector mounting holes.



**CONTACT TERMINATION DIMENSIONS,  
MALE AND FEMALE**



**CONTACT HOLE PATTERN,  
MALE AND FEMALE**



Suggest  $\text{Ø}3.96 \pm 0.08$  [0.156 ± 0.003] holes for connector mounting holes.

**ORDERING INFORMATION – CODE NUMBERING SYSTEM**

Specify Complete Connector By Following Steps 1 Through 8  
Insert "0" When Step Is Not Used

STEP	1	2	3	4	5	6	7	8
	MIP	30	F	93	0	0	A1	

**STEP 1 - Basic Series**  
MIP - Mini-Infinity

**STEP 2 - Connector Variants**

- 24W8 - 2 size 8, 6 size 12, and 16 size 20 contacts  
Only available for use with crimp contacts.
- 28W12 - 12 size 12 and 16 size 20 contacts
- 29W9 - 3 size 12, 20 size 20, and 6 size 8 contacts
- 30 - 30 size 16 contacts
- 30WA10 - 10 size 12 and 20 size 20 contacts
- 30WB10 - 4 size 8, 6 size 16, and 20 size 20 contacts

**STEP 3 - Connector Gender**

- M - Male
- F - Female

**STEP 4 - Type of Contact**

- 0 - Order contacts separately for cable connectors for connection systems 2, 4 and 5.
- 3 - Solder, Straight Printed Board Mount with 3.70 (0.146) tail extension for connection systems 1 and 4.
- 32- Solder, Straight Printed Board Mount with 9.58 (0.377) tail extension for connection systems 1 and 4.
- 4 - Solder, Right Angle Printed Board Mount with 3.70 (0.146) tail extension for connection systems 1, 2, 3 and 7.
- 42- Solder, Right Angle Printed Board Mount with 9.58 (0.377) tail extension for connection systems 1, 2, 3 and 7.
- 63 - Press-Fit, Compliant Termination Right Angle Printed Board Mount, for use with board thicknesses of 2.29 to 4.45 (0.090 to 0.175). With cross bar. Connection systems 1, 2, 3 and 7. Available on connector variant 30 only.
- 93 - Press-Fit, Compliant Termination Straight Printed Board Mount for use with board thicknesses of 2.29 to 4.45 (0.090 to 0.175). Connection systems 1 and 4.

**STEP 5 - Mounting Style**

- 0 - None, mounting screws supplied with board mount connector.
- N - Push-on fasteners supplied installed on board mount connector. Not recommended for code 63 and 93.

**STEP 8 - Special Options**

- Consult Technical Sales
- \* Sequential Mating
- \* Recessed Female Contacts
- \* Customer Specified Contact Arrangement
- \* Other Customer Requirements

**STEP 7 - Contact Plating**

- 0 - Crimp contacts ordered separately
- A1 - Gold flash over nickel on mating end and gold flash over nickel on termination end.
- A2 - Gold flash over nickel on mating end and 5.00 microns (0.000200 inch) solder coat on termination end. Not available with contact types 63 and 93.
- C1 - 0.80 microns (0.000030 inch) gold over nickel on mating end and 0.80 microns (0.000030 inch) gold over nickel on termination end.
- C2 - 0.80 microns (0.000030 inch) gold over nickel on mating end and 5.00 microns (0.000200 inch) solder coat on termination end. Not available with contact types 63 and 93.

**STEP 6 - Panel Mount**

- 0 - None.
- 82 - Panel Mount 1.52 (0.060) panel thickness
- 83 - Panel Mount 2.28 (0.090) panel thickness

DIMENSIONS ARE IN MILLIMETERS (INCHES).  
ALL DIMENSIONS ARE SUBJECT TO CHANGE.