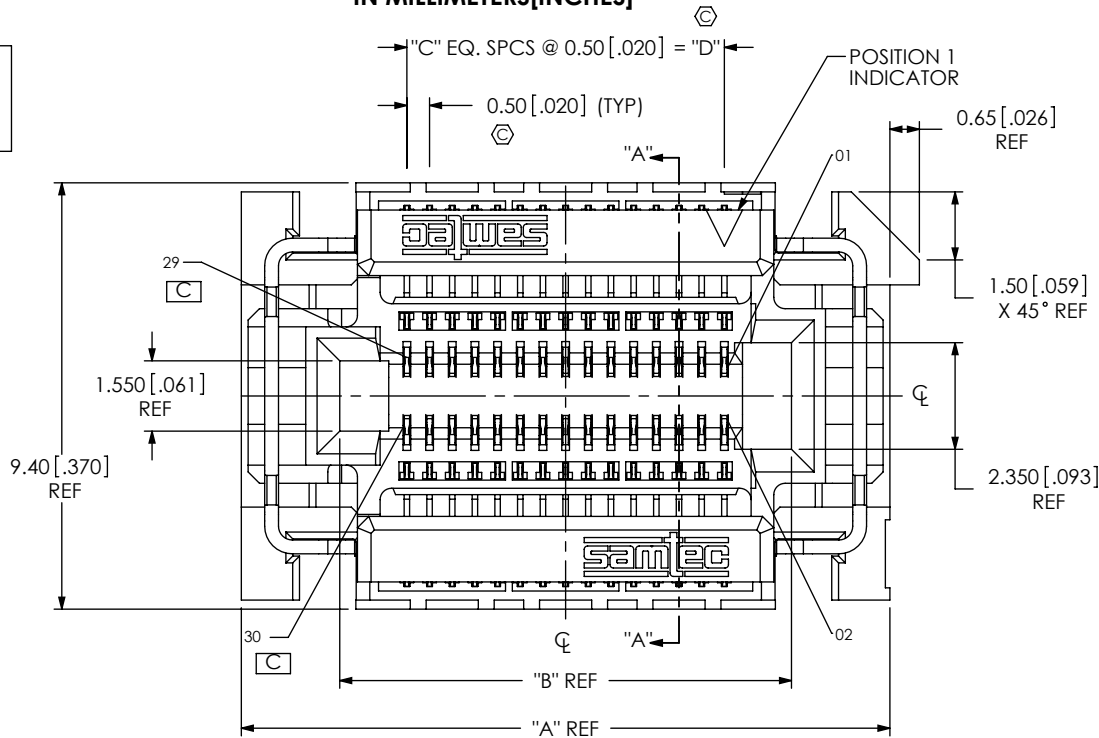


DESIGNED & DIMENSIONED
IN MILLIMETERS[INCHES]

FS5-XX-XX.X-X-DV-XX-X-TR

DO NOT
SCALE FROM
THIS PRINT



No OF POSITIONS
-15, -30, *-35, *-50
(PER ROW)

LEAD STYLE
-04.0: 4MM

PLATING SPECIFICATION
-L: LIGHT SELECTIVE, 10 AU / 50
NI MIN ON CONTACT, MATTE
TIN ON TAIL

ROW SPECIFICATION
-DV: DOUBLE VERTICAL

PACKAGING
-TR: TAPE & REEL
(SEE NOTES 3,4 & 5)

OPTION
-K: POLYIMIDE PAD
(SEE FIG 3, SHT 3)

WELD TAB
-TH: THRU HOLE
(USE WT-62-XX.X-TH-X)
*-SM: SURFACE MOUNT
(USE WT-62-XX.X-SM-X)

(* = NOT TOOLED)

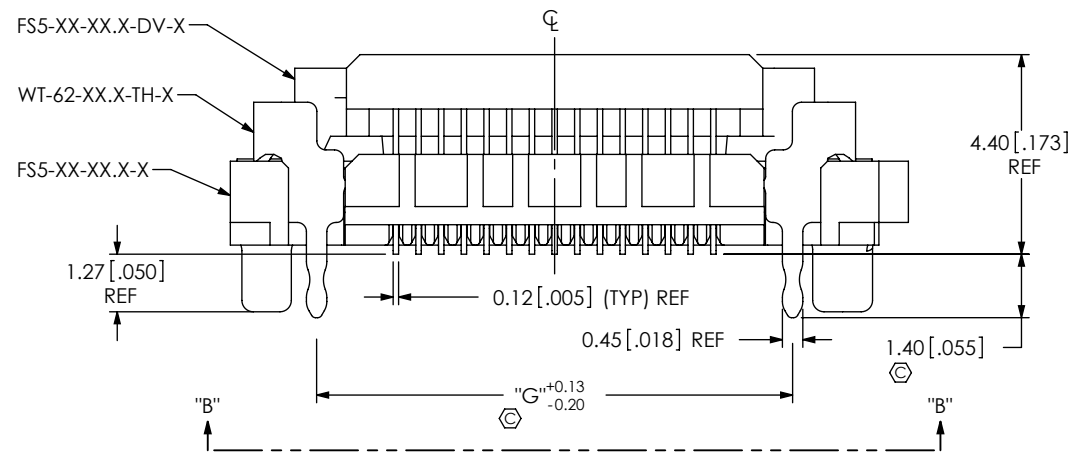
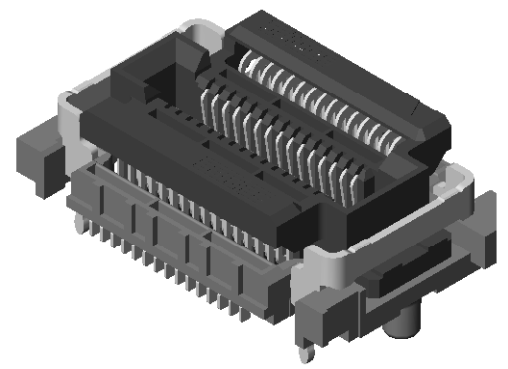


TABLE 3

WELD TAB	WT PART NUMBER
-TH	WT-62-XX.X-TH-X
*-SM	WT-62-XX.X-SM-X

(* = NOT TOOLED)

TABLE 1

STACK HEIGHT

SFH LEAD STYLE	TFH LEAD STYLE				
	-01.0	-03.0	*-06.0	*-08.0	*-10.0
-04.0	5.0 [0.20]	7.0 [0.28]	10.0 [0.39]	12.0 [0.47]	14.0 [0.55]

(* = NOT TOOLED)

- NOTES:
- ⊕ REPRESENTS A CRITICAL DIMENSION.
 - PUSH OUT FORCE 2.22N [.50LBS].
 - TAPE & REEL WILL BE SUPPLIED WHETHER OR NOT -TR IS SPECIFIED.
 - FOR QUANTITIES UP TO 49 PCS., NO LEADER, TRAILER OR EIA-481 REEL WILL BE SUPPLIED.
 - FOR QUANTITIES OF 50 TO 124 PCS., NO LEADER, TRAILER OR EIA-481 REEL WILL BE SUPPLIED.

FIG 1
FS5-15-04.0-X-DV-TH-X-TR SHOWN

UNLESS OTHERWISE SPECIFIED,
DIMENSIONS ARE IN
MILLIMETERS[INCHES].
TOLERANCES ARE:
DECIMALS ANGLES
X.X: ±0.3 [.01] 2°
X.XX: ±0.13 [.005]
X.XXX: ±0.051 [.0020]

PROPRIETARY NOTE
THIS DOCUMENT CONTAINS INFORMATION
CONFIDENTIAL AND PROPRIETARY TO
SAMTEC, INC. AND SHALL NOT BE REPRODUCED
OR TRANSFERRED TO OTHER DOCUMENTS OR
DISCLOSED TO OTHERS OR USED FOR ANY
PURPOSE OTHER THAN THAT WHICH IT WAS
OBTAINED WITHOUT THE EXPRESSED WRITTEN
CONSENT OF SAMTEC, INC.

samtec
520 PARK EAST BLVD, NEW ALBANY, IN 47150
PHONE: 812-944-6733 FAX: 812-948-5047
fromparentre-Mail: info@SAMTEC.com code: 55322

MATERIAL: DO NOT SCALE DRAWING
INSULATOR: LCP, COLOR: BLACK UL 94 V0
CONTACT: BeCu
WT: PHOS BRONZE

SHEET SCALE: 6:1

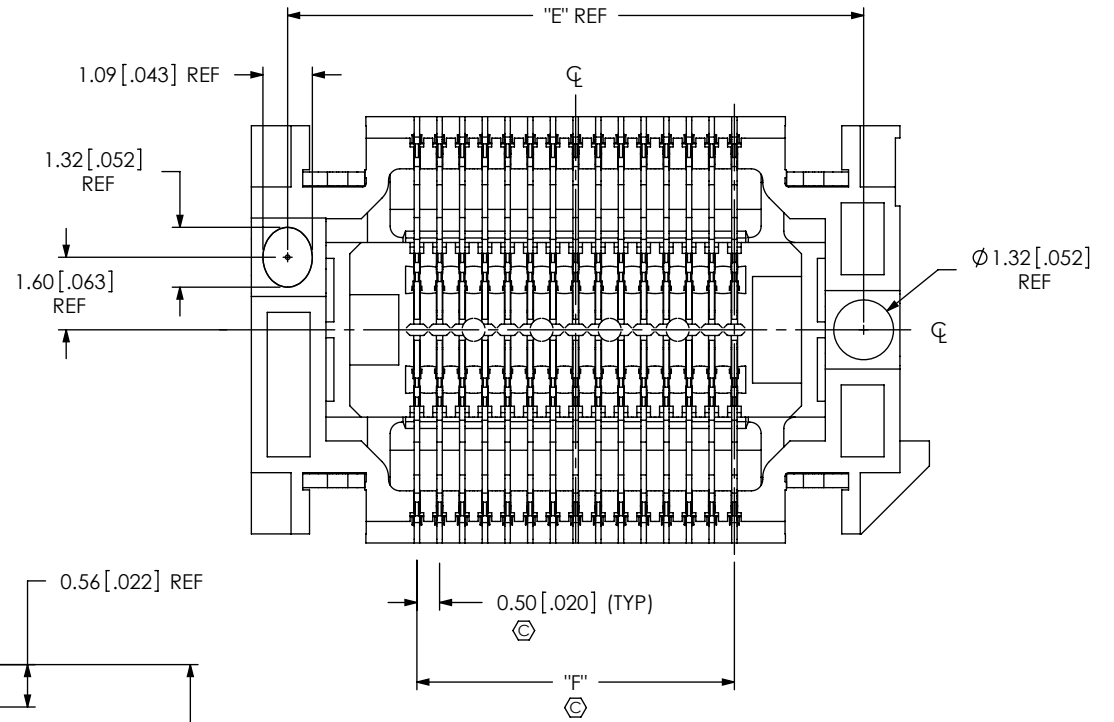
DESCRIPTION:
FS5 SOCKET FLOATING ASSEMBLY

DWG. NO.
FS5-XX-XX.X-X-DV-XX-X-TR

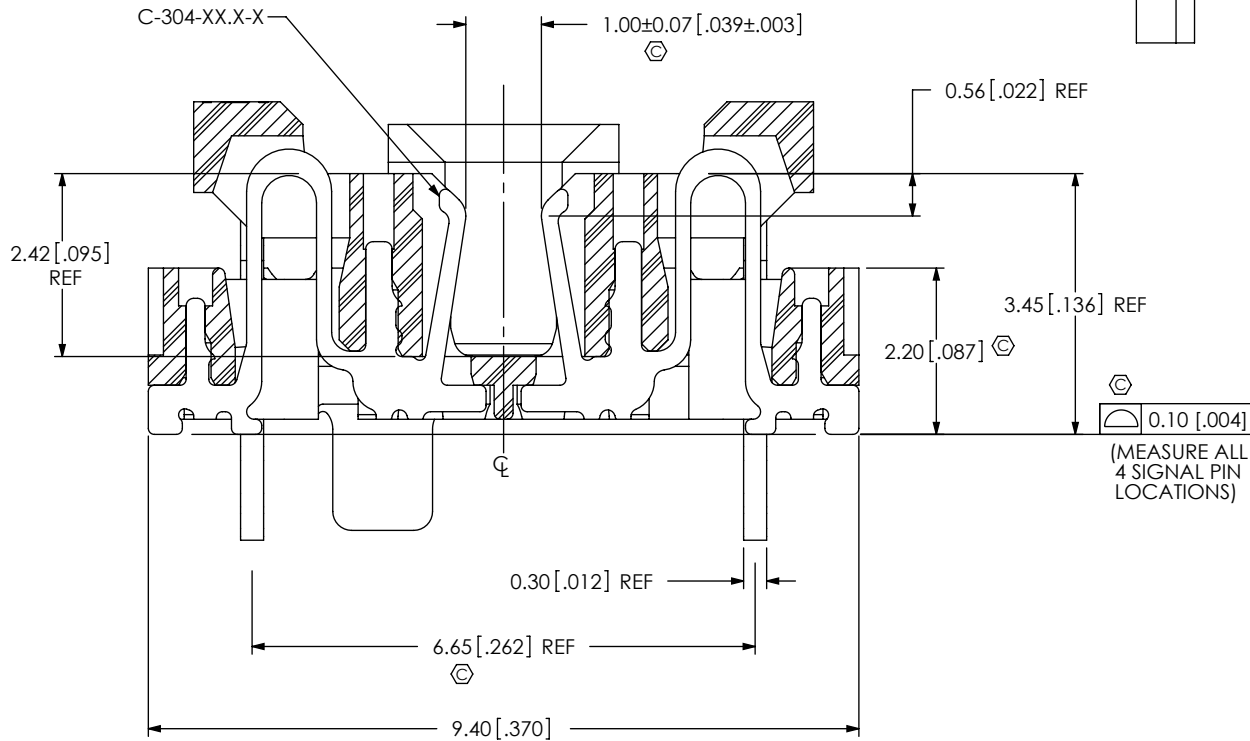
BY: R MUSSER 08/04/2009 SHEET 1 OF 3

TABLE 2													
No. OF POS	"A"		"B"		"C"	"D"		"E"		"F"		"G"	
-15	14.30	[0.563]	9.96	[0.392]	14	7.000	[0.2756]	12.70	[0.500]	7.000	[0.2756]	10.50	[0.413]
-30	21.80	[0.858]	17.46	[0.687]	29	14.500	[0.5709]	20.20	[0.795]	14.500	[0.5709]	18.00	[0.709]
*-35	24.30	[0.957]	19.96	[0.786]	34	17.000	[0.6693]	22.70	[0.894]	17.000	[0.6693]	20.50	[0.807]
*-50	31.80	[1.252]	27.46	[1.081]	49	24.500	[0.9646]	30.20	[1.189]	24.500	[0.9646]	28.00	[1.102]

(* = NOT TOOLED)



SECTION "B"-"B"



SECTION "A"-"A"
SCALE 10:1

PROPRIETARY NOTE
THIS DOCUMENT CONTAINS INFORMATION CONFIDENTIAL AND PROPRIETARY TO SAMTEC, INC. AND SHALL NOT BE REPRODUCED OR TRANSFERRED TO OTHER DOCUMENTS OR DISCLOSED TO OTHERS OR USED FOR ANY PURPOSE OTHER THAN THAT WHICH IT WAS OBTAINED WITHOUT THE EXPRESSED WRITTEN CONSENT OF SAMTEC, INC.

DO NOT SCALE DRAWING

SHEET SCALE: 6:1



520 PARK EAST BLVD, NEW ALBANY, IN 47150
PHONE: 812-944-6733 FAX: 812-948-5047
fromparent+e-Mail: info@SAMTEC.com code: 55322

DESCRIPTION: FS5 SOCKET FLOATING ASSEMBLY

DWG. NO. FS5-XX-XX.X-X-DV-XX-X-TR

BY: R MUSSER 08/04/2009 SHEET 2 OF 3

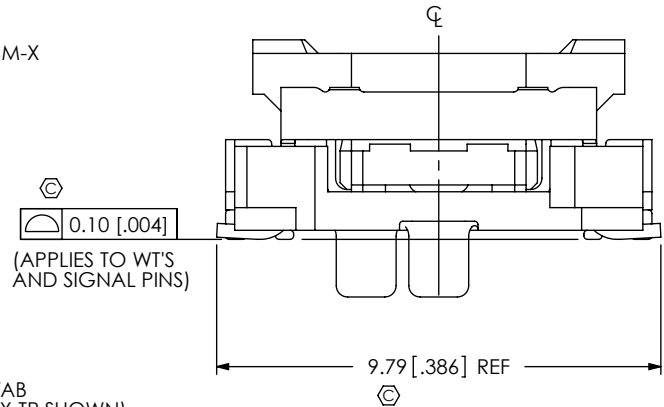
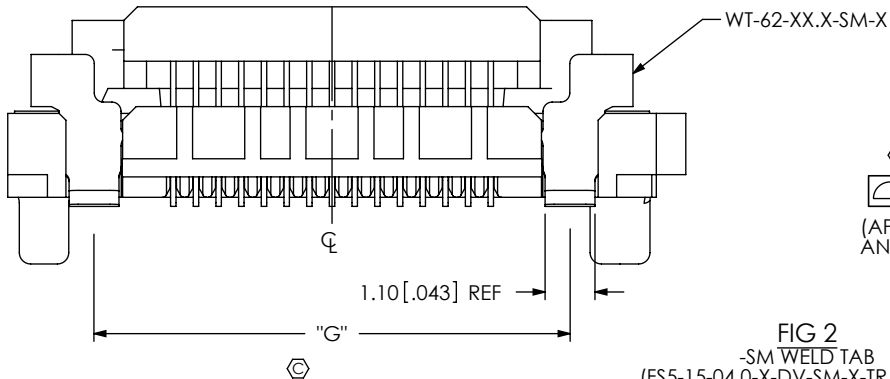
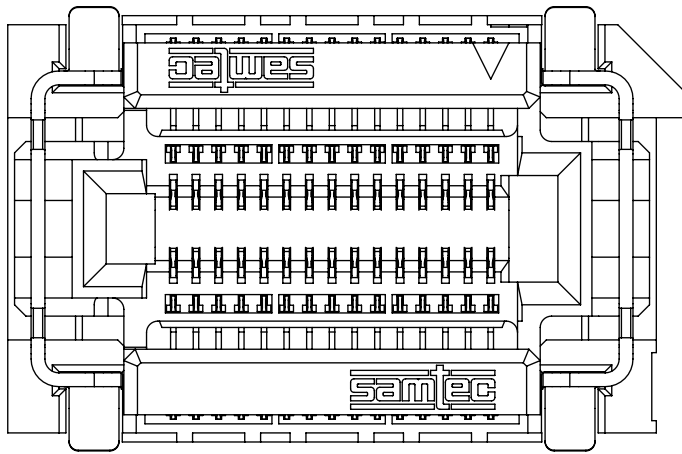


FIG 2
-SM WELD TAB
(FS5-15-04.0-X-DV-SM-X-TR SHOWN)
(SAME AS FIG 1, EXCEPT AS SHOWN)
(NOT TOOLED)

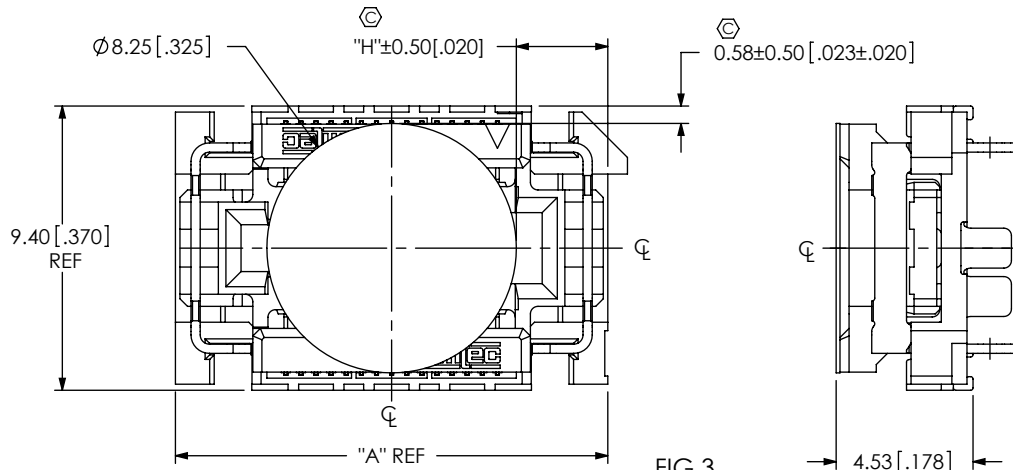


FIG 3
-K: POLYIMIDE PAD
(USE K-DOT-.325-.450-.005)
(FS5-15-04.0-X-DV-TH-K-TR SHOWN)

TABLE 4

No. OF POS	"H"
-15	3.03 [0.119]
-30	6.78 [0.267]
*-35	8.03 [0.316]
*-50	11.78 [0.464]

(* = NOT TOOLED)

PROPRIETARY NOTE
THIS DOCUMENT CONTAINS INFORMATION
CONFIDENTIAL AND PROPRIETARY TO
SAMTEC, INC. AND SHALL NOT BE REPRODUCED
OR TRANSFERRED TO OTHER DOCUMENTS OR
DISCLOSED TO OTHERS OR USED FOR ANY
PURPOSE OTHER THAN THAT WHICH IT WAS
OBTAINED WITHOUT THE EXPRESSED WRITTEN
CONSENT OF SAMTEC, INC.

DO NOT SCALE DRAWING

SHEET SCALE: 6:1

samtec

520 PARK EAST BLVD, NEW ALBANY, IN 47150
PHONE: 812-944-6733 FAX: 812-948-5047
fromparent+e-Mail: info@SAMTEC.com code: 55322

DESCRIPTION:
FS5 SOCKET FLOATING ASSEMBLY

DWG. NO.
FS5-XX-XX.X-X-DV-XX-X-TR

BY: R MUSSER 08/04/2009 SHEET 3 OF 3