

### THREE ROW, TWO CELL STRAIGHT MALE XD/P™ CONNECTORS PRESSFIT OR SOLDER POST 240-366 POSITIONS ONE CENTER MOUNTING FEATURE



#### PHYSICAL PROPERTIES

Insulation Material: Glass filled thermoplastic rated UL 94V-0  
 Color: Black  
 Contacts: Copper alloy, nickel plate overall, 30 microinches gold plating in contact zone, tin/lead or gold on posts

#### ELECTRICAL PROPERTIES

Current Rating: 2 amps/pin  
 Insulation Resistance: >1 x 10<sup>9</sup> Ohms  
 Dielectric Strength: >1000 VDC at sea level

#### ENVIRONMENTAL PROPERTIES

Temperature Rating: -55°C TO 125°C

#### MOUNTING HARDWARE

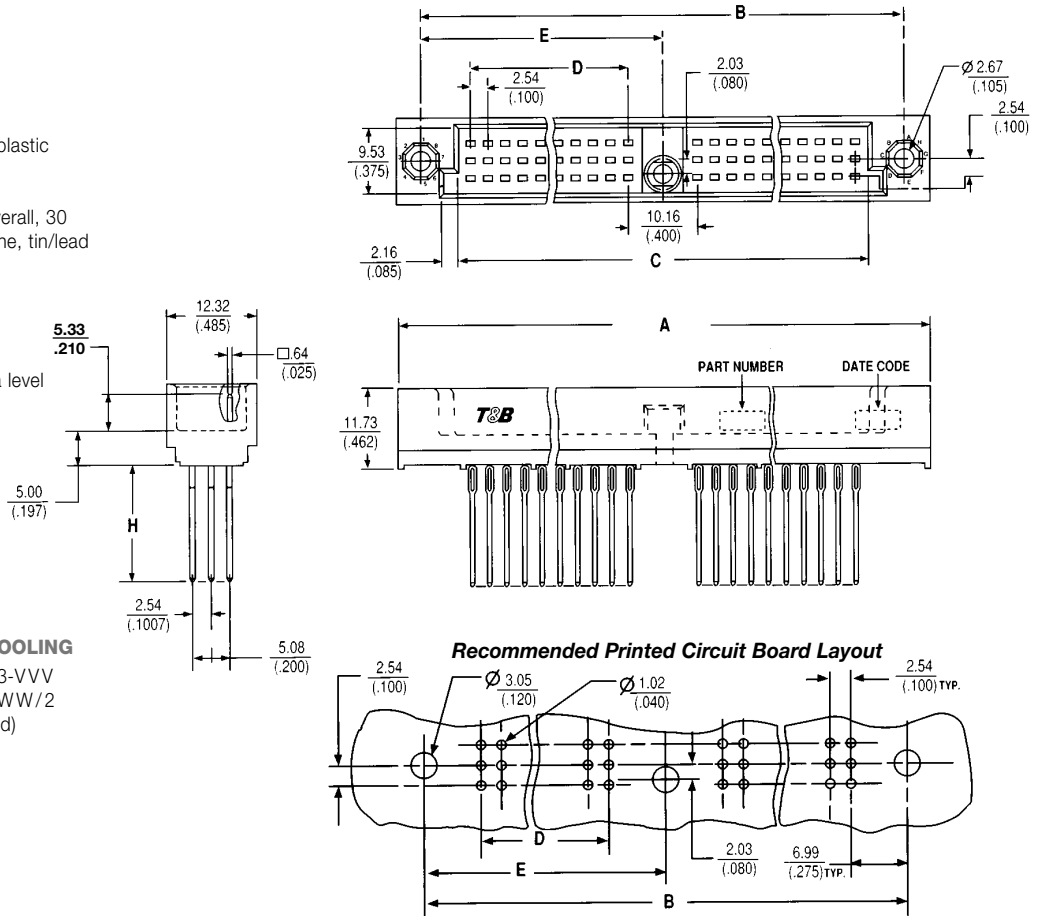
See pages 310-314

#### SELECTIVE LOADING/ SEQUENTIAL MATING

See pages 308-309

#### PRESSFIT PIN APPLICATION TOOLING

Installation Platen: 889-XDP3-VVV  
 VVV=WWW/2  
 (2 required)  
 Pin Replacement Tool: 889-100



#### Ordering Information

NO. OF POS. WWW	PART NUMBER SPECIFY X, Y & Z	A	B	C	D	E	XY	H TAIL LENGTH	CONTACT STYLE
240	30240XY000-2Z	229.87 (9.050)	222.25 (8.750)	212.09 (8.350)	99.06 (3.900)	111.12 (4.375)	2A	6.35 (.250)	FLEX-FIT™ Compliant Pin
252	30252XY000-2Z	240.03 (9.450)	232.41 (9.150)	222.51 (8.750)	104.14 (4.100)	116.21 (4.575)	2B	8.33 (.328)	
258	30258XY000-2Z	245.11 (9.650)	237.49 (9.350)	227.33 (8.950)	106.68 (4.200)	118.74 (4.675)	2C	13.54 (.533)	
276	30276XY000-2Z	260.35 (10.250)	252.73 (9.950)	242.54 (9.550)	114.30 (4.500)	126.37 (4.975)	2D	18.62 (.733)	
294	30294XY000-2Z	275.59 (10.850)	267.97 (10.550)	257.81 (10.150)	121.92 (4.800)	133.98 (5.275)	3C	3.05 (.120)	Solder Post
300	30300XY000-2Z	280.67 (11.050)	273.05 (10.750)	262.89 (10.350)	124.46 (4.900)	136.53 (5.375)	3D	4.83 (.190)	
312	30312XY000-2Z	290.83 (11.450)	283.21 (11.150)	273.05 (10.750)	129.54 (5.100)	141.61 (5.575)	<b>Z</b> TAIL PLATING 1 100 microinches SN/PB over 50 microinches NI 3 30 microinches AU over 50 microinches NI		
330	30330XY000-2Z	306.07 (12.050)	298.45 (11.750)	288.29 (11.350)	137.16 (5.400)	149.23 (5.875)			
348	30348XY000-2Z	321.31 (12.650)	313.69 (12.350)	303.53 (11.950)	144.78 (5.700)	156.85 (6.175)			
366	30366XY000-2Z	336.55 (13.250)	328.93 (12.950)	318.77 (12.550)	152.40 (6.000)	164.46 (6.475)			

eg. 303662C000-23