

PLUG

MI	ADD RAMP LENGTH ECN #U4 0293 3-1-94 RW
M	REVISED PER ECR # U90659 KBW 07-25-89 RW
L	ADDED STANDOFFS PER ECR UB 2271 GEP 11-30-88 RW
K	REV. & FINAL REL. ECR UB 1710 GEP 7-14-88 RW
J	REVISED & REDRAWN PER ECR UB 0122 2-2-88 SCHAFFER
MFG.	SH. REV. LTR. REVISIONS

DIMENSIONS SHOWN METRIC (INCH)		▽ = 0	▼ = 0	REVISE ONLY ON CAD SYSTEM
UNLESS OTHERWISE SPECIFIED TOLERANCES ANGULAR ± 0°		TITLE		
INCH METRIC		.093/(2.36) HOUSING PLUG AND RECEPTACLE 6 CKT. .264/(6.70) CTRS.		
3 PLACE ± .010	---	MOLEX INCORPORATED SHEET NO. DATE L15LEJLL. 60532 U.S.A. 1 OF 3 1/25/88		
2 PLACE ± .014	± 0.25	PART NO. DRWG. NO.		
1 PLACE --- ± 0.36	---	SEE CHART SD-3191-6*		
DRAFT WHERE APPLICABLE MUST REMAIN WITHIN DIMENSIONS		APP'D. BY: JUS DRW'D. BY: RW SCALE: 2 : 1 FILE NAME: S31916.X1 APP'D. RAS		
THIS DRAWING CONTAINS INFORMATION THAT IS PROPRIETARY TO MOLEX INC. AND SHOULD NOT BE USED WITHOUT WRITTEN PERMISSION.		SIZE: CP C		

13 12 11 10 9 8 7 6 3191 4 3 2 1

PLUG		RECEPTACLE	
PART NO.	ENG. NO.	PART NO.	ENG. NO.
19-09-2068	3191-6P	19-09-1069	3191-6R1
19-09-2069	3191-6P1	19-09-1066	3191-6R1-201
19-09-2067	3191-6P-201	19-09-6060	3191-6R IRD
19-09-2066	3191-6P1-201	19-09-6069	3191-6R IBK
19-09-7069	3191-6PRD		
19-09-7068	3191-6PBK		

LEGEND:

3191-6****-*

CIRCUIT SIZE

P = PLUG

R = RECEPTACLE

EARS: BLANK = WITH PREBENT EARS (PLUG ONLY)

I = WITHOUT EARS

COLOR: BLANK = NATURAL COLOR

AM=AMBER BK=BLACK BU=BLUE

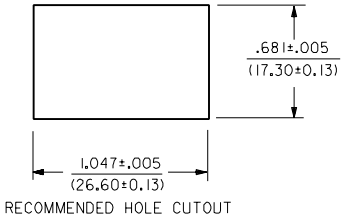
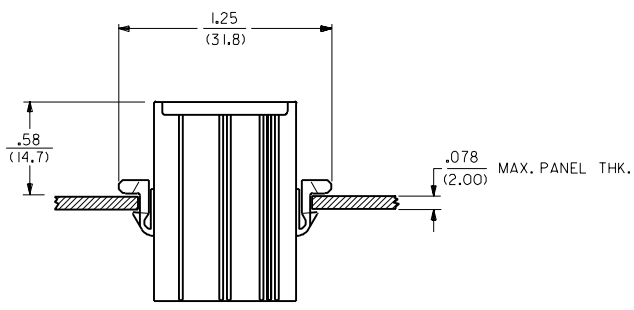
BN=BROWN GY=GRAY GN=GREEN

OR=ORANGE RD=RED YW=YELLOW

COLORS AVAILABLE ONLY IN 94V-2 MATERIAL

MATERIAL: BLANK=NYLON TYPE 6/6, 94V-2

201=NYLON TYPE 6/6, 94V-0



MOUNTING HOLE DETAIL

3191

J
I
H
G
F
E
D
C
B
A

J
I
H
G
F
E
D
C
B
A

DIMENSIONS SHOWN (METRIC) INCH		UNLESS OTHERWISE SPECIFIED TOLERANCES ANGLES ARE ± DPM		REVISIONS		REVISIONS		REVISIONS		REVISIONS		REVISIONS		REVISIONS		REVISIONS		REVISIONS		REVISIONS			
3 PLACE	± .010	---		M	SEE SHEET 1	L	SEE SHT. 1	K	SEE SHT. 1	J	SEE SHT. 1	DRAWING INFORMATION		DRAWING INFORMATION		DRAWING INFORMATION		DRAWING INFORMATION		DRAWING INFORMATION		DRAWING INFORMATION	
2 PLACE	± .014	± 0.25		DRAWING INFORMATION		DRAWING INFORMATION		DRAWING INFORMATION		DRAWING INFORMATION		DRAWING INFORMATION		DRAWING INFORMATION		DRAWING INFORMATION		DRAWING INFORMATION		DRAWING INFORMATION		DRAWING INFORMATION	
1 PLACE	---	± 0.36		DRAWING INFORMATION		DRAWING INFORMATION		DRAWING INFORMATION		DRAWING INFORMATION		DRAWING INFORMATION		DRAWING INFORMATION		DRAWING INFORMATION		DRAWING INFORMATION		DRAWING INFORMATION		DRAWING INFORMATION	
DRAFT WHERE APPLICABLE MUST REMAIN WITHIN DIMENSIONS				DRAWING INFORMATION		DRAWING INFORMATION		DRAWING INFORMATION		DRAWING INFORMATION		DRAWING INFORMATION		DRAWING INFORMATION		DRAWING INFORMATION		DRAWING INFORMATION		DRAWING INFORMATION		DRAWING INFORMATION	
DRAWN BY: JUS		CHK'D BY: RW		SCALE: --:--		FILE NAME: S31916X3.DGN		PART NO. 3191-6		SHEET NO. 3		DATE 1/22/88		MOLEX INCORPORATED		MOLEX INCORPORATED		MOLEX INCORPORATED		MOLEX INCORPORATED		MOLEX INCORPORATED	
APP'D BY: RAS		SCALE: --:--		FILE NAME: S31916X3.DGN		PART NO. 3191-6		SHEET NO. 3		DATE 1/22/88		MOLEX INCORPORATED		MOLEX INCORPORATED		MOLEX INCORPORATED		MOLEX INCORPORATED		MOLEX INCORPORATED		MOLEX INCORPORATED	

TITLE: .093/(2.36) HOUSINGS PLUG AND RECEPTACLE 6 CKT., .264/(6.70) CTRS.

SEE CHART SD-3191-6*

THIS DRAWING CONTAINS INFORMATION THAT IS PROPRIETARY TO MOLEX INC. AND SHOULD NOT BE USED WITHOUT WRITTEN PERMISSION.

13 12 11 10 9 8 7 6 5 4 3 2 1