

MMC (SMMC) Memory Card Connectors CIM-E69

FEATURES

1. SMT-type connector for MMC memory card.
2. Fantastic touch! With push-in push-out eject function.
3. Also can support card detection switch.
4. Ideal for portable equipment! Ultra-thin, with height of only 2.8mm.
5. Reverse type also available.



HOW TO ORDER

E69-007-21 0-B G G E-

1 2 3 4 5 6 7 8 9

1. Series No. (E69)
2. No. of contacts (007 : 7pins)
3. Housing material (21 : LCP resin)
4. Housing UL grade (0 : UL94V-0)
5. Contact plating (B : Contact area Gold, Read area Solder)
6. Contact plating thickness (G : 0.3μ)
7. Contact style (G : Angle)
8. Package (E : Taping)
9. Supplementary symbol
 - ST : Standard type
 - RA : Reverse A type
 - RB : Reverse B type

SPECIFICATIONS

ELECTRICAL CHARACTERISTICS

Rated Voltage	AC 50V (rms)
Rated Current	0.5A
Withstanding Voltage	500V AC (rms) 1minute
Insulation Resistance	1000MΩ min. (at 500V DC)
Contact Resistance	100mΩ max.

MECHANICAL CHARACTERISTICS

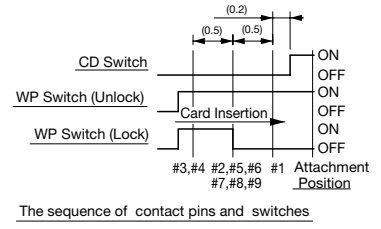
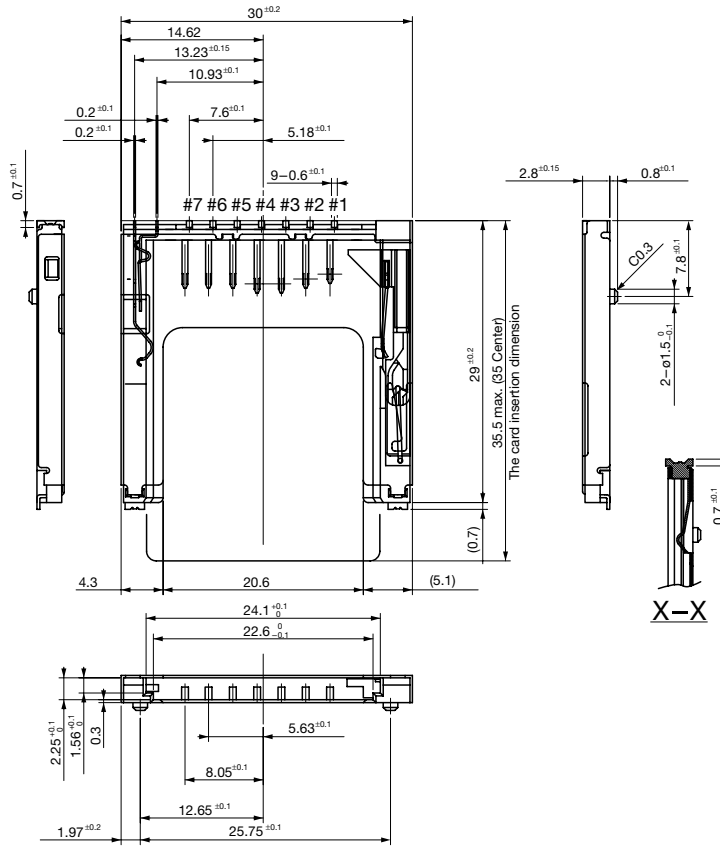
Life (Matching Cycle)	10,000
Card Insertion Force	4.9N (0.5kgf)~9.8N (1kgf)
Eject Force	4.9N (0.5kgf)~9.8N (1kgf)
Using Temperature Range	-25~+90°C

MATERIAL & FINISH

Component Parts	Material	Finish
Housing	LCP resin	(Black)
Contact	Copper Alloy	Gold plating · Solder plating
CD Switch	Copper Alloy	Gold plating
CD · WP Switch	Copper Alloy	Gold plating
Wing	Copper Alloy	Solder plating
Plate	SUS	-
Slider	PPA resin	(Black)
Coil Spring	SUS	-
Lock Pin	SUS	-

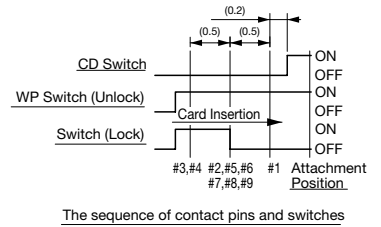
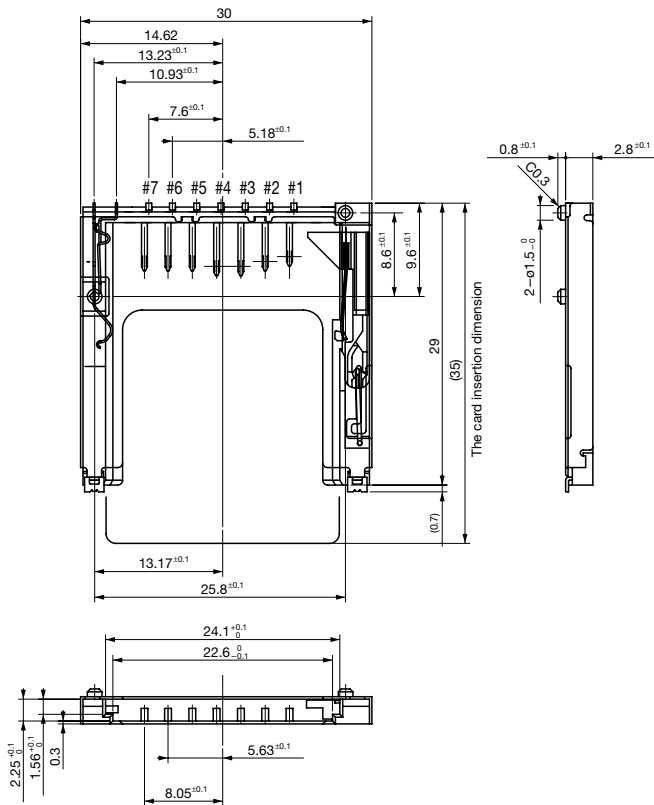
DIMENSIONS

Standard type



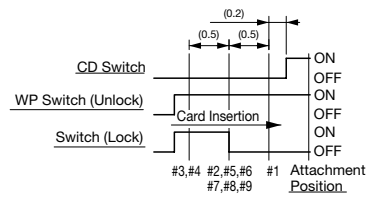
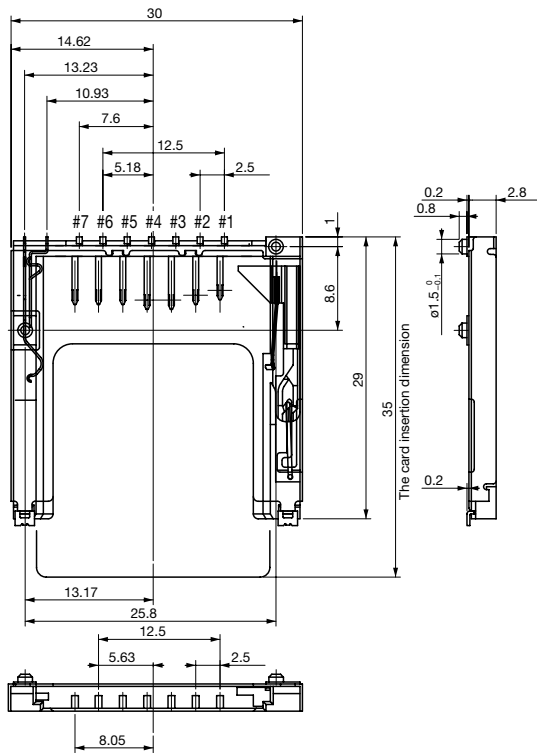
Unit : mm
☆ Tolerance : ±0.3

Reverse typeA



Unit : mm
Tolerance : ±0.3

Reverse typeB



The sequence of contact pins and switches

Unit : mm
 ☆ Tolerance : ±0.3