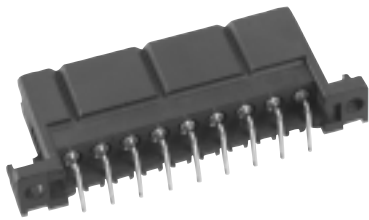
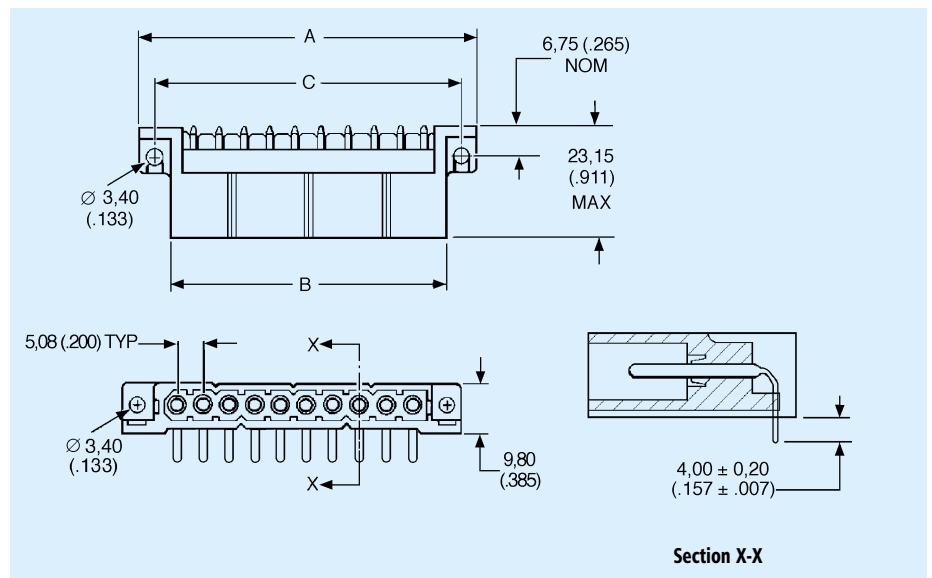


## Pin Header — 90°



- For gold plated versions extended earth pins are available in any one or two positions. Contact your local Cannon Sales Office for further details.

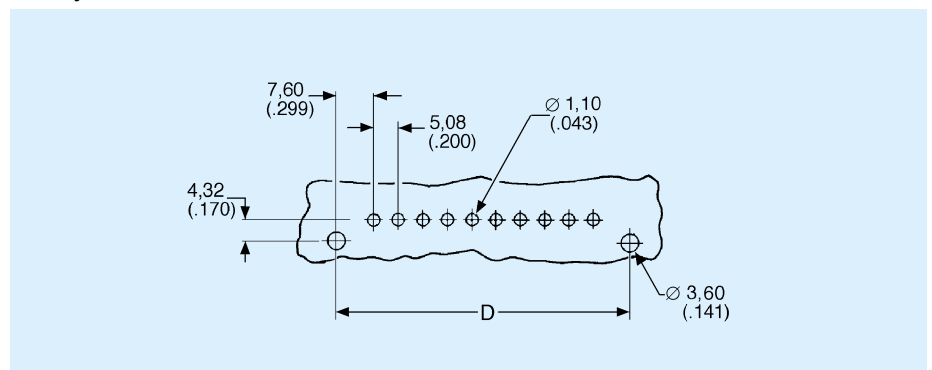


Snap Together Slimline

## Part Numbers — 90° Pin Header

Number of Contacts	Gold Plated Version 0,4 $\mu$ m (16 $\mu$ in.) min. Gold		Tin Plated Version		Dimensions (max.)		
	Part Number (Pack of 100)	Nomenclature	Part Number (Pack of 100)	Nomenclature	A	B	C
3	192991-0532	TP03 R3E00Y	192991-0317	TST03 RE01T	31,40 (1.236)	19,40 (.763)	25,50 (1.003)
4	192991-0533	TP04 R3E00Y	192991-0319	TST04 RE01T	36,50 (1.437)	14,50 (.964)	30,60 (1.204)
6	192991-0534	TP06 R3E00Y	192991-0321	TST06 RE01T	46,70 (1.838)	34,70 (1.366)	40,70 (1.602)
9	192991-0535	TP09 R3E00Y	192991-0323	TST09 RE01T	61,90 (2.437)	49,90 (1.964)	56,00 (2.204)
10	192991-0538	TP10 R3E00Y	192991-0325	TST10 RE01T	67,00 (2.637)	55,00 (2.165)	61,10 (2.405)

## PCB Layout



Number of Contacts	D max.
3	25,50 (1.003)
4	30,60 (1.204)
6	40,70 (1.602)
9	56,00 (2.204)
10	61,10 (2.405)