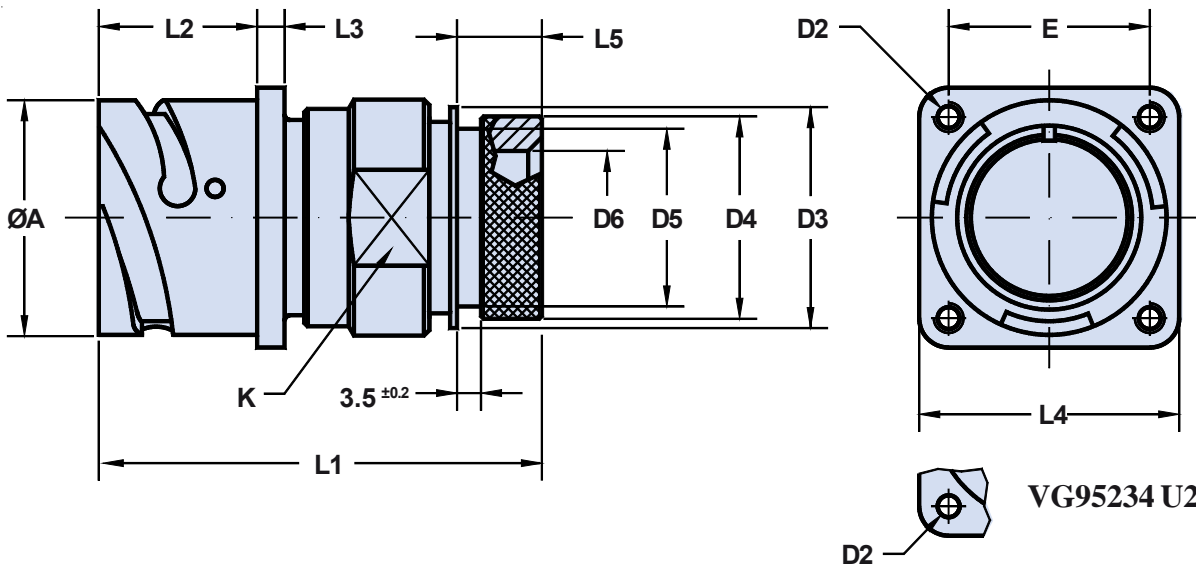
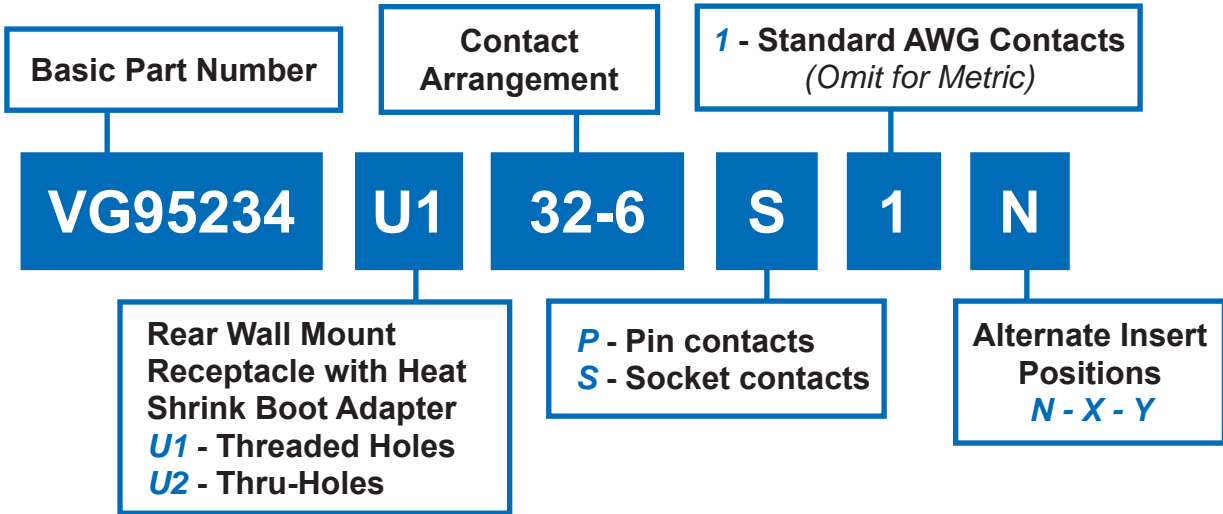


**VG95234 U1 and VG95234 U2  
Rear Wall Mount Receptacle  
with Heat Shrink Boot Adapter and Sealing Grommet**



**APPLICATION NOTES**

1. Rear wall mount receptacle with heat shrink boot adapter.
2. Standard crimp contact material consists of copper alloy with silver plating. Please see pages 16-17 for additional contact information.
3. Insert arrangements IAW VG95234. Please see pages 10-15.
4. Standard insert is synthetic rubber, oil and low temperature resistant (-55°C to +125°C) IAW MIL-R-3065.
5. Stainless steel and marine bronze shells are available in Series ITS products. Please consult factory.
6. All dimensions are metric unless otherwise noted.

**VG95234 U1 and VG95234 U2**  
**Rear Wall Mount Receptacle**  
 with Heat Shrink Boot Adapter and Sealing Grommet



DIMENSIONS									
Shell Size	ØA +0 -0.15	D2		E ±0.1	L1 Max	L2 +0.4 -0	L3 ±0.2	L4 ±0.3	Weight gr. Max
		B1	B2 H13						
10 SL	18.2	M4	3.2	18.2	55	18.2	2.8	25.4	45
14 S	24.6	M4	3.2	23.0	70	18.2	3.2	30.0	53
16 S	27.4	M4	3.2	24.6	70	18.2	3.2	32.5	63
16	27.4	M4	3.2	24.6	70	21.5	3.2	32.5	73
18	30.8	M4	3.2	27.0	70	23.05	4.0	35.0	83
20	34.2	M4	3.2	29.4	70	23.05	4.0	38.0	93
22	37.4	M4	3.2	31.8	70	23.05	4.0	41.0	103
24	40.9	M4	3.7	35.9	70	23.05	4.0	44.5	118
28	46.7	M5	3.7	39.7	70	24.05	4.0	50.8	148
32	53.4	M5	4.3	44.5	75	24.05	4.0	57.0	188
36	59.6	M5	4.3	49.2	85	24.05	4.0	63.5	218

Please refer to VG95234G for dimensions D3, D4, D5, D6, D7, K and L5.

MATERIALS	
<b>SHELLS</b>	<b>INSERTS (Temperature Range)</b>
Aluminum Alloy IAW QQ-A-591 Shells	High Insulation Synthetic Rubber -55°C/+125°C
	<b>CRIMP CONTACTS</b>
	Copper Alloy with Silver Plating Over Nickel

STANDARD FINISH (For QQ-A-591 Aluminum Shells)	
<b>Requirements</b>	<b>Cadmium with Olive Drab Passivation IAW QQ-P-416</b>
Thermal Shock	-55°C + 125°C
Salt Spray After Thermal Shock	500 hour
Electrical Conductivity	Very Good
Abrasion Resistance	Very Good