



Solid State Devices, Inc.

14701 Firestone Blvd * La Mirada, Ca 90638
 Phone: (562) 404-4474 * Fax: (562) 404-1773
 ssdi@ssdi-power.com * www.ssdi-power.com

SDAD103 Series

2,500 to 15,000 VOLTS STANDARD RECOVERY STACKABLE HIGH VOLTAGE RECTIFIER

Designer's Data Sheet

Part Number/Ordering Information^{1/}
 SDAD10 3

+ **Screening**^{2/}
 ___ = Not Screened
 TX = TX Level
 TXV = TXV
 S = S Level

+ **Reverse Recovery Time**
 ___ = Standard Recovery Time

+ **Voltage** 2.5 = 2.5kV, 5 = 5kV,
 7.5 = 7.5kV, 10 = 10kV, and 15 = 15kV

+ **Power Rating** (See Below)

+ **Package Size** = 3 Inches Diameter

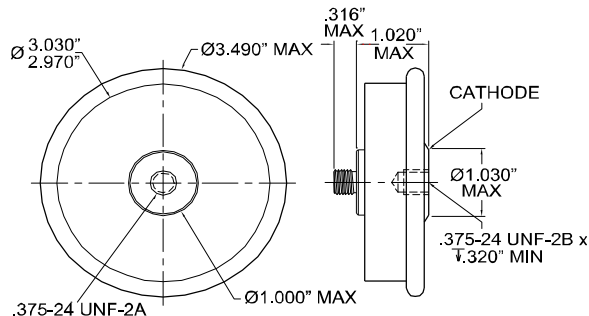
- FEATURES:**
- Stackable to 160kV
 - PIV 2.5kV to 15kV
 - High Current Ratings
 - Standard Reverse Recovery Time
 - Void-free, Hermetically Sealed Diode Cells
 - Controlled Avalanche
 - Modular Design for Easy Stacking
 - Storage and Operating Temps -65°C to +150°C
 - Available in Fast, Ultra Fast and Hyper Fast Versions
 - TX, TXV, and S-Level Screening Available^{2/}
 - Direct Replacement Upgrade-
 Unitorde type UGE-2.5 through type UGB-10
 and Microsemi 1N5603

ELECTRICAL CHARACTERISTICS

^{3/}

Part Number	Peak Inverse Voltage (per leg)	Reverse ^{6/} Recovery Time	Average DC Output Current T _C =Case Temp			Non-repetitive Sinusoidal Surge (8.3ms)	Maximum Forward Voltage Drop		Maximum Leakage Current @ PIV
			I _{F(AV)}	I _{FSM}	V _F		I _R		
Symbol	PIV	T _{rr}	I _{F(AV)}			I _{FSM}	V _F		I _R
Units	kV	µs	Amps			Amps	Volts	Amps	µA
Conditions		Max	T _C = 75°C	T _C = 50°C ^{4/}	T _C = 60°C ^{5/}	T _C = 100°C	V _F	I _F	25°C
SDAD103E2.5	2.5	5	6.60	10.00	8.25	200	5	3.3	10
SDAD103B2.5	2.5	5	3.00	4.25	3.75	100	4	1.5	5
SDAD103E5.0	5	5	5.00	7.50	6.25	200	10	2.50	15
SDAD103B5.0	5	5	4.40	6.60	5.50	100	9	2.50	5
SDAD103B7.5	7.5	5	3.30	5.00	4.10	200	13	1.60	10
SDAD103A7.5	7.5	5	3.00	5.00	3.75	100	13	1.50	5
SDAD103A10	10	5	2.30	3.50	2.85	100	17	1.10	5
SDAD103A15	15	5	0.67	0.90	0.80	30	25	0.33	2

SDAD103 Package:



- NOTES:**
- 1/ For Ordering Information, Price, Curves, and Availability- Contact Factory.
 - 2/ Screened to MIL-PRF-19500.
 - 3/ Unless Otherwise Specified, All Electrical Characteristics @25°C.
 - 4/ Typical immersed in oil.
 - 5/ Typical with Extender Plate.
 - 6/ Recovery Conditions: I_F = 0.5 Amp, I_R = 1.0 Amp rec. to .25 Amp.