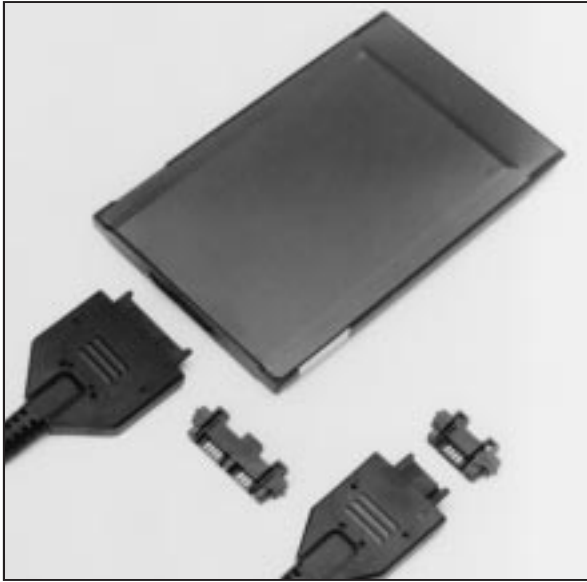


# RX03A SERIES CONNECTORS

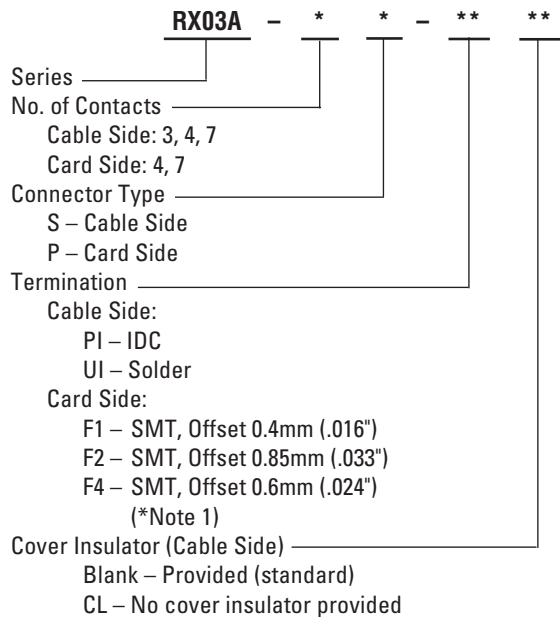
1.0mm (.039") Contact Spacing, PCMCIA Modem I/O Connectors



## FEATURES

- PCMCIA Type II Card compatible
- Tactile friction lock mechanism
- High reliability contact design
- Both IDC and solder type terminations available for cable side
- Refer to RX03 Series for EMI/RFI shielded configurations

## ORDERING INFORMATION



\*Note 1: Please consult JAE for 7 contacts.



The RX03A Series connectors conform to PCMCIA Open Systems Standards for I/O Connectors used in Modem PC Cards with an internal DAA.

Card side connectors are available in 4 and 7 positions. Cable side connectors are available in 3, 4, and 7 positions. The 7 position Card connector will accept the single 7 position cable connector or either the 3 or 4 position cable connectors. This feature permits varied cable connection options.

## GENERAL SPECIFICATIONS

Number of Contacts	3, 4, 7
Contact Spacing	1.0mm (.039")
Current Rating	0.5 Amps
Dielectric Withstanding Voltage	500 VAC r.m.s. (for one minute)
Insulation Resistance	100 megohms min.
Contact Resistance	45 milliohms max.
Operating Temperature	-20°C to +60°C
Applicable Wire Sizes	#24 to #30 AWG (Note 1)
Durability	5,000 Cycles

Note 1: #28 AWG or equivalent for IDC Type.

## MATERIALS AND FINISHES

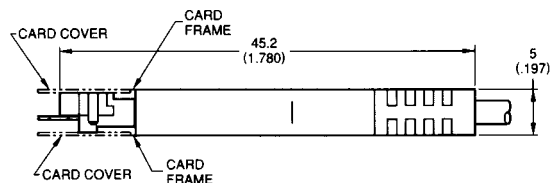
### Card Side

Description	Materials/Finishes
Contact	Copper Alloy Connecting Area: Gold Flash over Ni-Pd Terminal Area: Tin plating
Insulator	Glass-filled PPS (UL94V-0, Black)

### Cable Side

Contact	Copper Alloy Connecting Area: Gold Flash over Ni-Pd Terminal Area: Tin plating
Base Insulator	6-6 Nylon (UL94V-0, Black)
Cover Insulator	Glass-filled PBT (UL94V-0, Black)

Connector Profile (Ref.)



Dimensions and specifications subject to change without notice.

