

Part No.	Type	Nominal diameter	Withdraw. force	Rated current	Contact resistance
----------	------	------------------	-----------------	---------------	--------------------

23.1004	LB 4-A	4 mm	-	25 A	-
---------	--------	------	---	------	---

Press-in panel mount jack 4 mm (.160 in) dia., non-insulated. Tubed brass, punched and gold plated.

23.1003 gold plated)	LB 4	4 mm	-	25 A	-
-------------------------	------	------	---	------	---

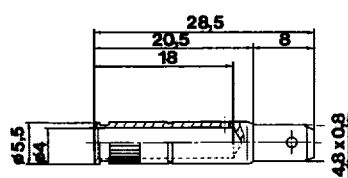
LB 4, LB4-N:
Press-in panel mount jack 4 mm (.160 in) dia., non-insulated. Rolled brass, gold or nickel plated.

23.5326 nickel plated)	LB 4-N	4 mm	-	25 A	-
---------------------------	--------	------	---	------	---

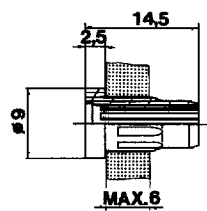
1:1

23.1013	EB 4	4 mm	-	25 A	-
---------	------	------	---	------	---

Press-in panel mount jack 4 mm (.160 in) dia., machined brass, gold plated with flat tab 4.8 x 0.8 mm (.189 x .031 in), polyamide insulated.



jack only - B-EB 4
23.5012



insulator only - I-EB4
23.5013

- Ratings:
- Test voltage: 2500 V
 - Breakdown/flashover voltage with 3 mm (.120 in) panel thickness: 5500 V
 - Operating temperature: -40°C to +80°C (-40°F to 176°F)

Colors: 20 - 29

- Accessory:
- Flat push-on terminal FSH 4.8 x 0.8 mm (.189 x .031 in) brass, gold plated, for conductors 0.5 - 1mm² (20 - 17 AWG) FSH 4.8 x 0.8 mm # 23.5201

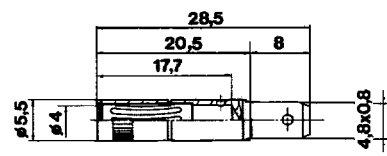
1:1

For mounting tools and assembly, see page 29.

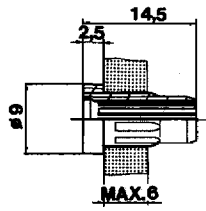
23.1023	EB 4-F	4 mm	-	25 A	0.5 mΩ
---------	--------	------	---	------	--------



Press-in panel mount jack 4 mm (.160 in) dia., spring-loaded with MC®-Multilam™, machined brass, with flat tab 4.8 x 0.8 mm (.189 x .031 in), Trilux finish, polyamide insulated.



jack only - B-EB 4F
23.5042



insulator only - I-EB4
23.5013

- Ratings:
- Test voltage: 2500 V
 - Breakdown/flashover voltage with 3 mm (.120 in) panel thickness: 5500 V
 - Operating temperature: -40°C to +80°C (-40°F to 176°F)

Colors: 20 - 29

1:1

For mounting tools and assembly, see page 29.

Nominal diameter Withdraw. force Rated current Contact resistance

Type Part No

4 mm - 25 A -

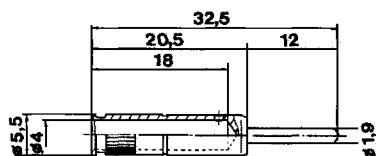
EB 4-A 23.1014

Press-in panel mount jack 4 mm (.160 in) dia., machined brass, gold plated with pin terminal 1.9 mm (.075 in) dia.

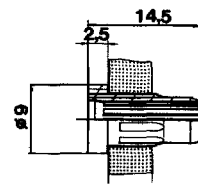
- Ratings:
- Test voltage: 2500 V
 - Breakdown/flashover voltage with 3 mm (.120 in) panel thickness: 5500 V
 - Operating temperature: -40°C to +80°C (-40°F to 176°F)

Colors: 20 - 29

- Accessory:
- Round push-on terminal RSH 1.9 (1.9 mm/.075 in) dia., brass, gold plated, for conductors 0.5 - 1 mm² (20-17 AWG).
RSH 1.9 # 23.5202



jack only
23.5014



insulator only
23.5013

1:1

For mounting tools and assembly, see page 29.

4 mm - 20 A -

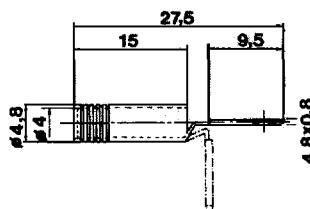
EB 4-B 23.1015

Press-in panel mount jack 4 mm (.160 in.) dia., polyamide insulated, brass sheet pressed and rolled, nickel plated. Flat tab 4.8 x 0.8 mm (.189 x .031 in) which can be bent 90° once only.

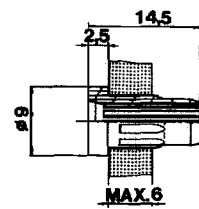
- Ratings:
- Test voltage: 2500 V
 - Breakdown/flashover voltage with 3 mm (.120 in) panel thickness: 5500 V
 - Operating temperature: -40°C to +80°C (-40°F to 176°F)

Colors: 20 - 29

- Accessory:
- Flat push-on terminal FSH 4.8 x 0.8 mm (.189 x .031 in) brass, gold plated, for conductors 0.5 - 1mm² (20 - 17 AWG)
FSH 4.8 x 0.8 mm # 23.5201



jack only
23.5026



insulator only
23.5019

1:1

For mounting tools and assembly, see page 29.



Static electricity is caused by a strong imbalance between positive and negative charges between two objects. That we already know... but did you know this? If you scuffed your feet on a carpet long enough, your finger would collect so many negative particles that it would actually explode!

Part No.	Type	Nominal diameter	Withdraw. force	Rated current	Contact resistance
----------	------	------------------	-----------------	---------------	--------------------

23.0200
round nut)

23.0210
hex nut)

LB-IF 4R-A

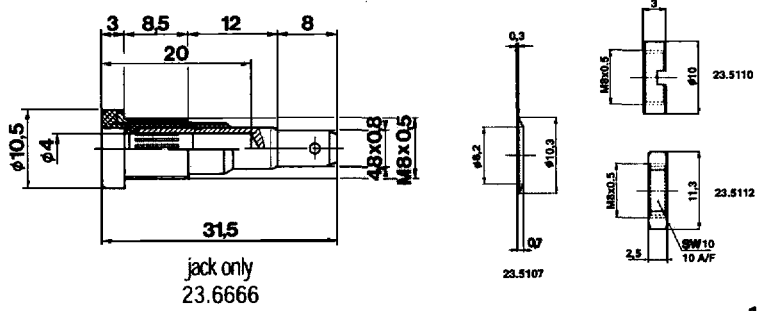


4 mm	-	25 A	0.5 mΩ
------	---	------	--------

Screw-on panel mount jack 4 mm (.160 in) dia., spring-loaded with MC®-Multilam™, machined brass, with flat tab 4.8 x 0.8 mm (.189 x .031 in), optalloy® plated, polyamide insulated. Jack has threaded metal jacket.

- Ratings:
- Test voltage: 2500 V
 - Breakdown/flashover voltage with 5 mm (.200 in) panel thickness: 4000 V
 - Operating temperature: -40°C to +80°C (-40°F to 176°F)

Colors: 20 - 29
Tool: Special spanner SS4 # 25.0021 (for round nut)



1:1

23.1016

EB 4-C

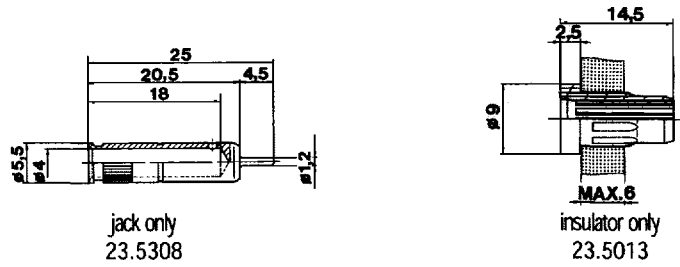


4 mm	-	20 A	-
------	---	------	---

Press-in panel mount jack 4 mm (.160 in) dia., polyamide insulated, machined brass, gold plated with pin terminal 1.2 mm (.047 in).

- Ratings:
- Test voltage: 2500 V
 - Breakdown/flashover voltage with 3 mm (.120 in) panel thickness: 5500 V
 - Operating temperature: -40°C to +80°C (-40°F to 176°F)

Colors: 20 - 29
For mounting tools and assembly, see page 27.



1:1.3

23.0080
round nut,
nickel plated)

23.0090
hex nut,
nickel plated)

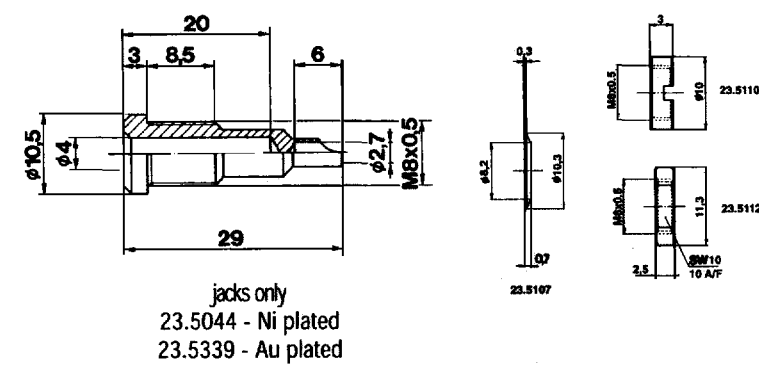
LB 4-R
LB 4-R/A



4 mm	-	40 A	-
------	---	------	---

Screw-on panel mount jack 4 mm (.160 in) dia., non-insulated, machined brass, with solder terminal. Available nickel or gold plated. Please specify when ordering.

Tool: Special spanner SS4 # 25.0021 (for round nut)



1:1

23.0490
round nut,
gold plated)

23.0470
hex nut,
gold plated)

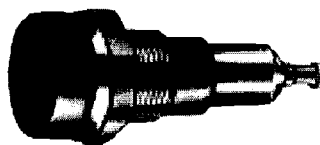
jacks only
23.5044 - Ni plated
23.5339 - Au plated

20 - green/yellow 21 - black 22 - red 23 - blue 24 - yellow 25 - green 26 - violet 27 - brown 28 - gray 29 - white 33 - transparent

Nominal diameter **Withdraw. force** **Rated current** **Contact resistance**

Type **Part No**

4 mm - 25 A 0.5 mΩ



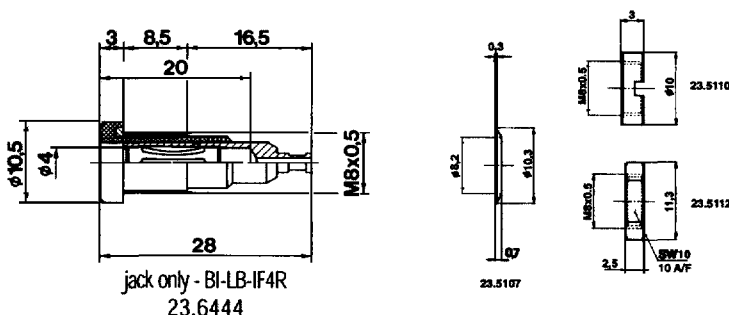
LB-IF 4 R **23.0130**
(round nut)
23.0140
(hex nut)

Screw-on panel mount jack 4 mm (.160 in) dia., spring-loaded with MC®-Multilam™, machined brass with round solder tab, optalloy® plated. Jack has threaded metal jacket.

- Ratings:
- Test voltage: 2500 V
 - Breakdown/flashover voltage with 5 mm (.197 in) panel thickness: 4000 V
 - Operating temperature: -40°C to +80°C (-40°F to 176°F)

Colors: 20 - 29

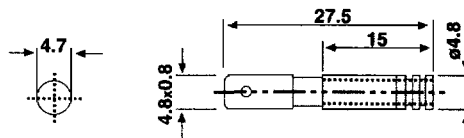
Tool: Special spanner SS4 # 25.0021 (for round nut)



1:1

4 mm - 12 A -

Non-insulated press-fit socket rated 12 A, is designed for press-fit into plastic cases. The socket is produced in rolled brass with an option of nickel or gold finish.



B-4 N **64.9290**
B-4 G (nickel-plated)
64.9280
(gold-plated)

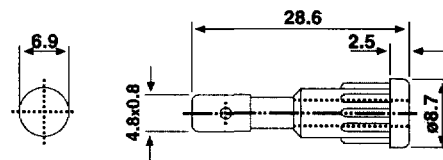
1:1

4 mm - 12 A -

Insulated press-fit socket is assembled by first pushing the insulator into a hole of 6.9 mm diameter, into which the socket is then pressed.

Colors: 21 - 27

Tool: Special mounting tool MB-4 # 25.0032



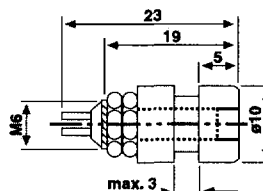
EPB-4 N **64.9290**
EPB-4 G (nickel-plated)
64.9280
(gold-plated)

1:1

4 mm - 20 A -

Panel-mount socket rated 20 A, is fully insulated and suitable for panel thicknesses up to 3 mm. The rear insulation is held by a M6 nut.

Colors: 21 - 25, 29



EBi-40 **69.8321**

1:1

20 - green/yellow 21 - black 22 - red 23 - blue 24 - yellow 25 - green 26 - violet 27 - brown 28 - gray 29 - white 33 - transparent

Part No.	Type	Nominal diameter	Withdraw. force	Rated current	Contact resistance
----------	------	------------------	-----------------	---------------	--------------------

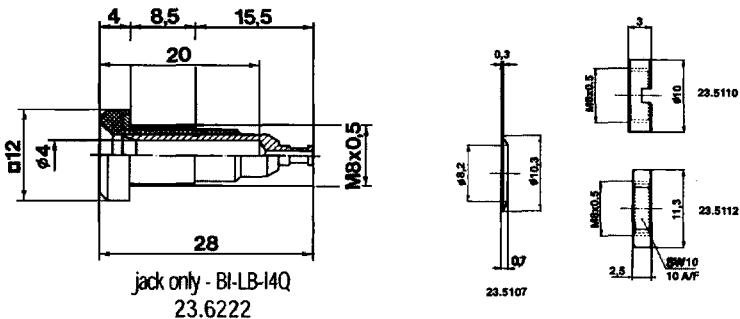
23.0160
round nut)

LB-14 Q



4 mm - 25 A -

23.0120
hex nut)



Press-in panel mount jack 4 mm (.160 in.) dia., machined brass, optalloy® plated. Jack has threaded metal jacket.

Ratings:
 • Test voltage: 2500 V
 • Breakdown/flashover voltage with 5 mm (.197 in) panel thickness: 4000 V
 • Operating temperature:..... -40°C to +80°C (-40°F to 176° F)

Colors: 20 - 29

Tool: Special spanner SS4 # 25.0021 (for round nut)

1:1

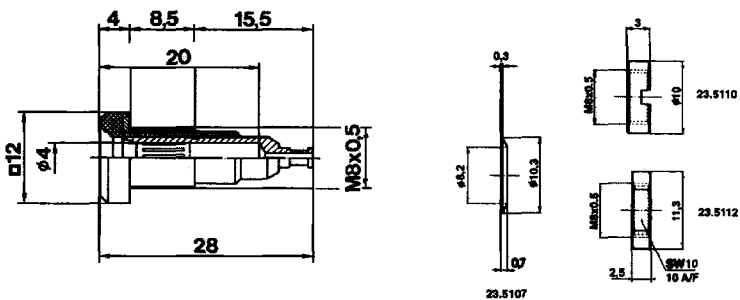
23.0170
round nut)

LB-1F 4Q



4 mm - 25 A -

23.0150
hex nut)



Press-in panel mount jack 4 mm (.160 in.) dia., machined brass, optalloy® plated, equipped with MC® Multilam™. Jack has threaded metal jacket.

Ratings:
 • Test voltage: 2500 V
 • Breakdown/flashover voltage with 5 mm (.197 in) panel thickness: 4000 V
 • Operating temperature:..... -40°C to +80°C (-40°F to 176° F)

Colors: 20 - 29

Tool: Special spanner SS4 # 25.0021 (for round nut)

1:1

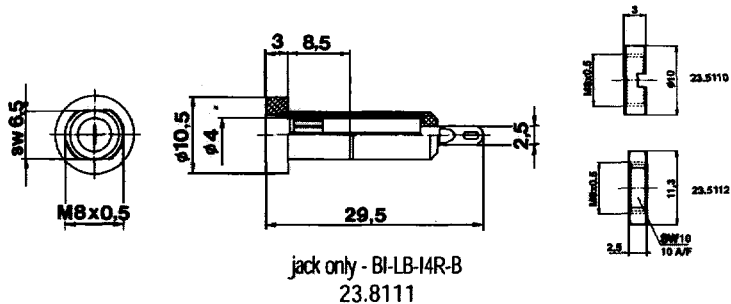
23.0460
round nut)

LB-1 4 R-B



4 mm - 25 A -

23.0450
hex nut)



Screw-on panel mount jack 4 mm (.160 in) dia., rolled brass, nickel plated, with solder terminal.

Ratings:
 • Test voltage: 2500 V
 • Breakdown/flashover voltage with 5 mm (.197 in) panel thickness: 7000 V
 • Operating temperature:..... -40°C to +80°C (-40°F to 176° F)

Colors: 21 - 26

Tool: Special spanner SS4, # 25.0021 (for round nut)

1:1

20 - green/yellow 21 - black 22 - red 23 - blue 24 - yellow 25 - green 26 - violet 27 - brown 28 - gray 29 - white 33 - transparent

Nominal diameter Withdraw. force Rated current Contact resistance

Type

Part No

4 mm - 25 A -

LB-I 4 R

23.0100
(round nut)

Screw-on panel mount jack 4 mm (.160 in) dia., machined brass with round solder tab, optalloy® plated, polyamide insulated. Jack has threaded metal jacket.



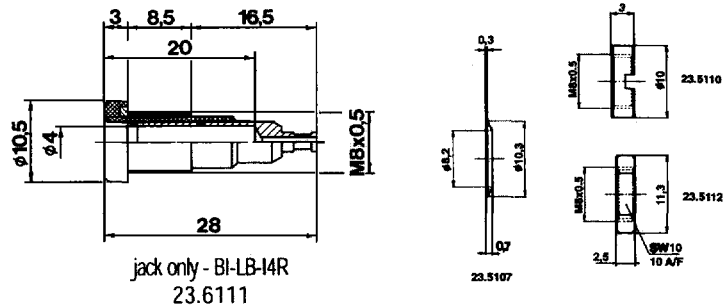
23.0110
(hex nut)

Ratings:

- Test voltage: 2500 V
- Breakdown/flashover voltage with 5 mm (.197 in.) panel thickness: 4000 V
- Operating temperature: -40°C to +80°C (-40°F to 176°F)

Colors: 20 - 29

Tool: Special spanner SS4, # 25.0021 (for round nut)



1:1

4 mm - 25 A -

LB-I 4 R-A

23.0180
(round nut)

Screw-on panel mount jack 4 mm (.160 in) dia., machined brass, gold plated with flat tab 4.8 x 0.8 mm (.189 x .031 in.) Polyamide insulated.



23.0190
(hex nut)

Ratings:

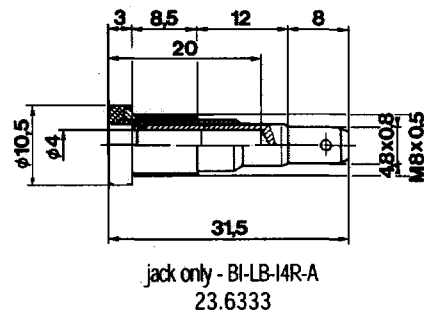
- Test voltage: 2500 V
- Breakdown/flashover voltage with 5 mm (.197 in) panel thickness: 5500 V
- Operating temperature: -40°C to +80°C (-40°F to 176° F)

Colors: 20 - 29

Tool: Special spanner SS4, # 25.0021 (for round nut)



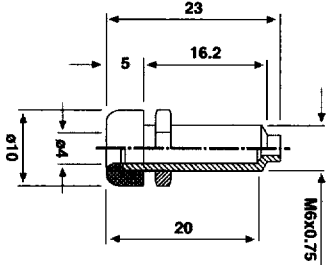
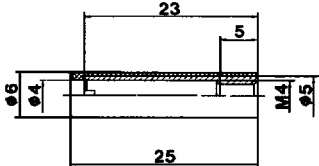
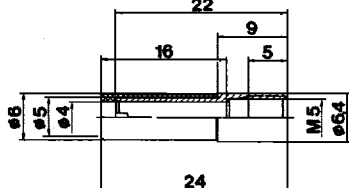
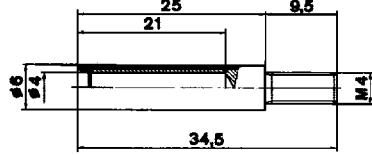


Accessory:

- Flat push-on terminal FSH 4.8 x 0.8 mm (.189 x .031 in) brass, gold plated, for conductors 0.5 - 1mm² (20 - 17 AWG)
- FSH 4.8 x 0.8 mm # 23.5201



1:1

20 - green/yellow 21 - black 22 - red 23 - blue 24 - yellow 25 - green 26 - violet 27 - brown 28 - gray 29 - white 33 - transparent

Part No.	Type	Nominal diameter	Withdraw. force	Rated current	Contact resistance
19.7068	LB4-R/I  socket only 49.7090 nut only - M4E/M6x0.75 50.2008 	4 mm	-	20 A	-
					
					Screw-in socket made of brass, turned, and nickel-plated with solder connection Polyamide insulated. Ratings: • Rated voltage: 30 VAC / 60 VDC • Operating temperature: -40°C to +80°C (-40°F to 176°F) Colors: 21, 22, 25 1:1
23.1035 23.5088 24.5012	B4-E-IM4-I insulated B4-E-IM4 non-insulated I-A 2/4 insulator	4 mm	-	32 A	-
					Sockets 4 mm (.160 in) with screw-on socket internal M 4 thread. Machined brass, nickel plated. Available insulated or non-insulated or as separate parts. Operating temperature: -40°C to +80°C (-40°F to 176°F) Colors: 21 - 24 1:1
23.1036 23.5091 24.5090	B4-E-IM5-I insulated B4-E-IM5 non-insulated I-KK 2/4 insulator	4 mm	-	32 A	-
					Screw-on sockets 4 mm (.160 in) with internal M 5 thread. Machined brass, nickel plated. Available insulated or non-insulated or as separate parts. Operating temperature: -40°C to +80°C (-40°F to 176°F) Colors: 21 - 24 1:1
23.0270 23.0280	LB4-G/M3.5 LB4-G/M4	4 mm	-	32 A	-
					Screw-on sockets 4 mm (.160 in) dia., with external M 3.5 or M 4 thread. Machined brass, nickel plated. Operating temperature: -40°C to +80°C (-40°F to 176°F) Colors: 21 - 24 1:1
23.1031 23.5076 24.5012	B4-E-M3-I insulated B4-E-M3 non-insulated I-A 2/4 insulator	4 mm	-	32 A	-
	 insulator  insulated				Screw-in sockets 4 mm (.160 in) dia. With external M 3 thread. Made of brass, nickel plated. Sockets are available insulated or non-insulated or as separate parts. Operating temperature: -40°C to +80°C (-40°F to 176°F) Colors: 21 - 24 1:1

20 - green/yellow 21 - black 22 - red 23 - blue 24 - yellow 25 - green 26 - violet 27 - brown 28 - gray 29 - white 33 - transparent

Nominal diameter **Withdraw. force** **Rated current** **Contact resistance**

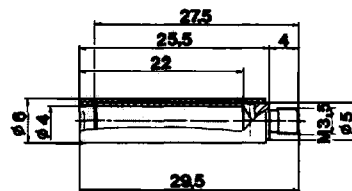
Type

Part No

4 mm - 32 A -

B4-E-M3.5-I 23.1034
 B4-E-M3.5 23.5079
 I-A 2/4 24.5012

Screw-in sockets 4 mm (.160 in) dia. With external M 3.5 thread. Made of brass, nickel plated. Sockets are available complete with insulation or as separate parts.



Operating temperature: -40°C to +80°C
 (-40°F to 176°F)

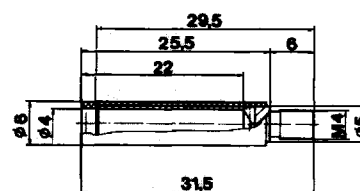
Colors: 21 - 24

1:1

4 mm - 32 A -

B4-E-M4-I 23.1034
 B4-E-M4 23.5081
 I-A 2/4 24.5012

Screw-in sockets 4 mm (.160 in) dia. With external M 4 thread. Made of brass, nickel plated. Sockets are available complete with insulation or as separate parts.



Operating temperature: -40°C to +80°C
 (-40°F to 176°F)

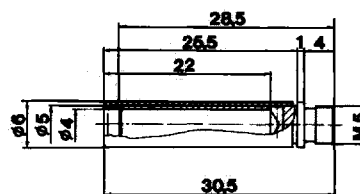
Colors: 21 - 24

1:1

4 mm - 32 A -

B4-E-M5-I 23.1034
 B4-E-M5 23.5081
 I-A 2/4 24.5012

Screw-in sockets 4 mm (.160 in) dia. With external M 5 thread. Made of brass, nickel plated. Sockets are available complete with insulation or as separate parts.



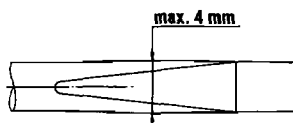
Operating temperature: -40°C to +80°C
 (-40°F to 176°F)

Colors: 21 - 24

1:1



B4-E-M...-I with insulation



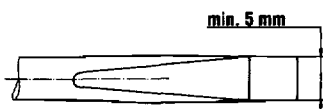
Screwdriver 1-2 (suitable for internal slot)



B4-E-M... without insulation



B4-E-IM...-I with insulation



Screwdriver 3 (suitable for slotted head)



B4-E-IM... without insulation

20 - green/yellow 21 - black 22 - red 23 - blue 24 - yellow 25 - green 26 - violet 27 - brown 28 - gray 29 - white 33 - transparent